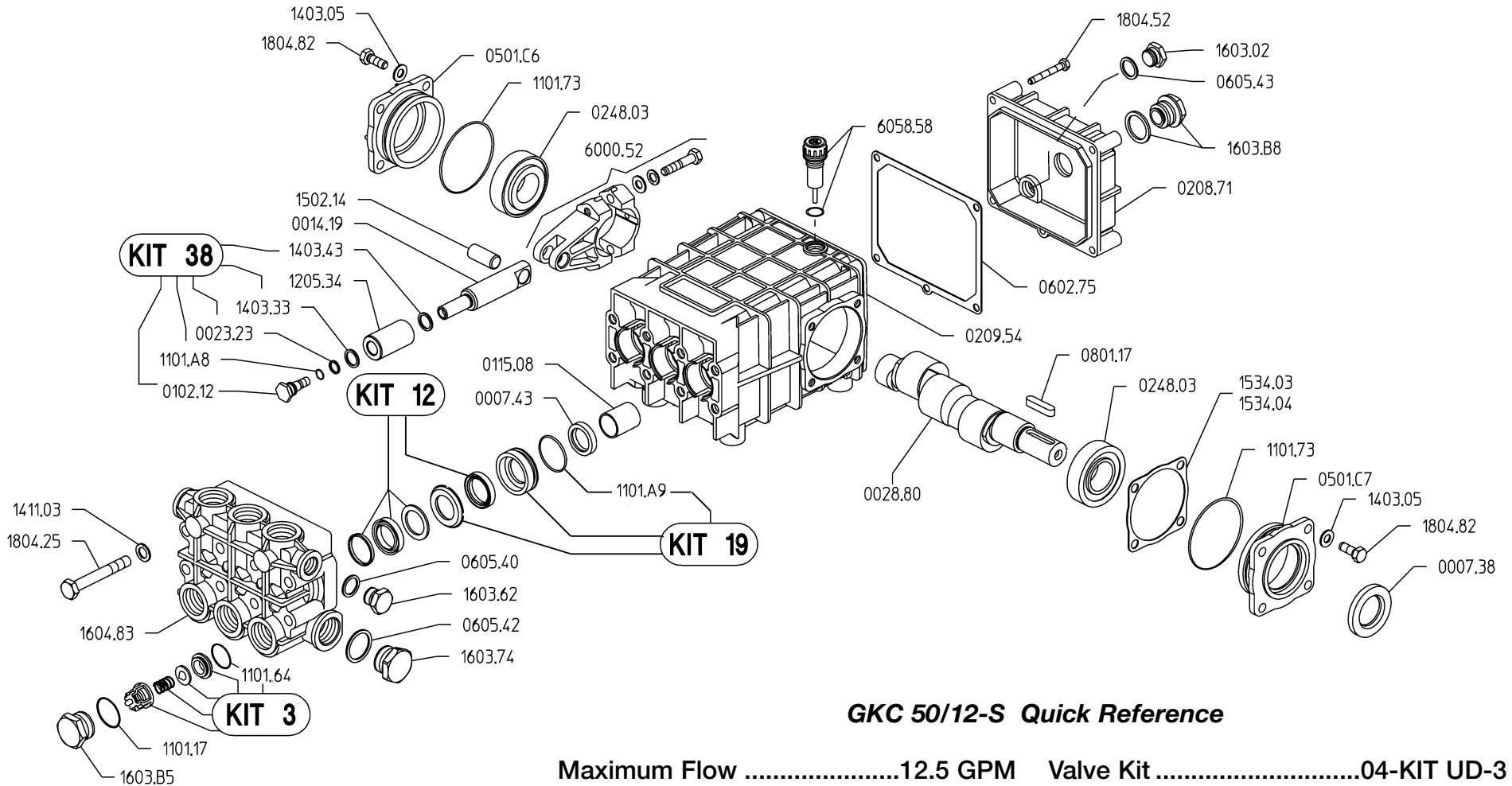


GKC 50/12-S



GKC 50/12-S Quick Reference

| | | | |
|------------------------|---|------------------------|--------------|
| Maximum Flow | 12.5 GPM | Valve Kit | 04-KIT UD-3 |
| Maximum Pressure | 2000 PSI | Seal Kit..... | 04-KIT UD-12 |
| Rated Pump Speed | 1450 RPM | Brass Kit | 04-KIT UD-19 |
| Oil Capacity | 40 oz. UDOR LUBE or SAE 30W Non-Detergent Oil | Plunger Bolt Kit | 04-KIT UD-38 |
| | | Plunger Part # | 04-1205.34 |
| | | Plunger Diameter | 28 MM |