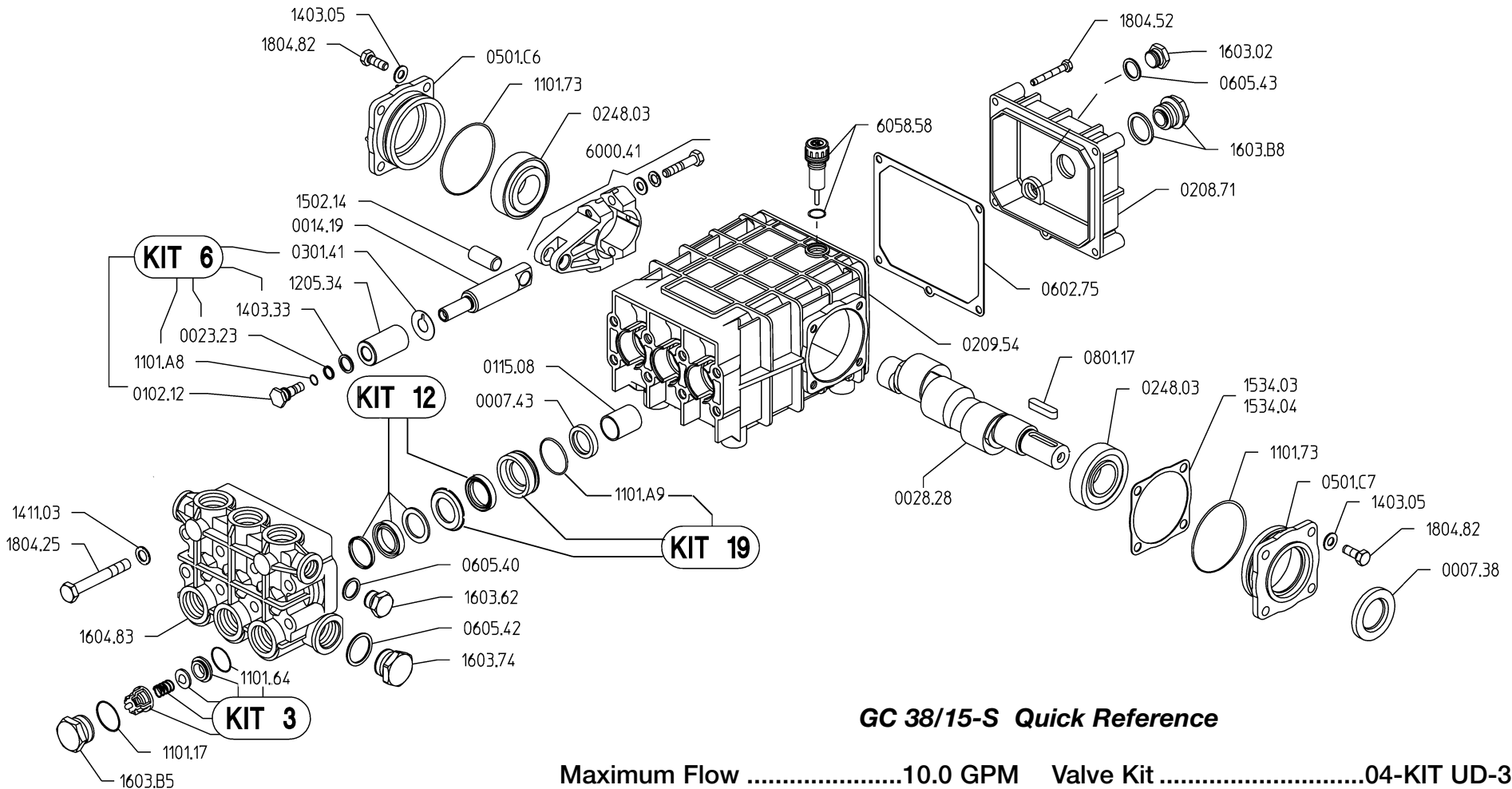


GC 38/15-S



GC 38/15-S Quick Reference

Maximum Flow	10.0 GPM	Valve Kit	04-KIT UD-3
Maximum Pressure	2200 PSI	Seal Kit.....	04-KIT UD-12
Rated Pump Speed	1450 RPM	Brass Kit	04-KIT UD-19
Oil Capacity.....	40 oz. UDOR LUBE or SAE 30W Non-Detergent Oil	Plunger Bolt Kit	04-KIT UD-6
		Plunger Part #	04-1205.34
		Plunger Diameter.....	28 MM