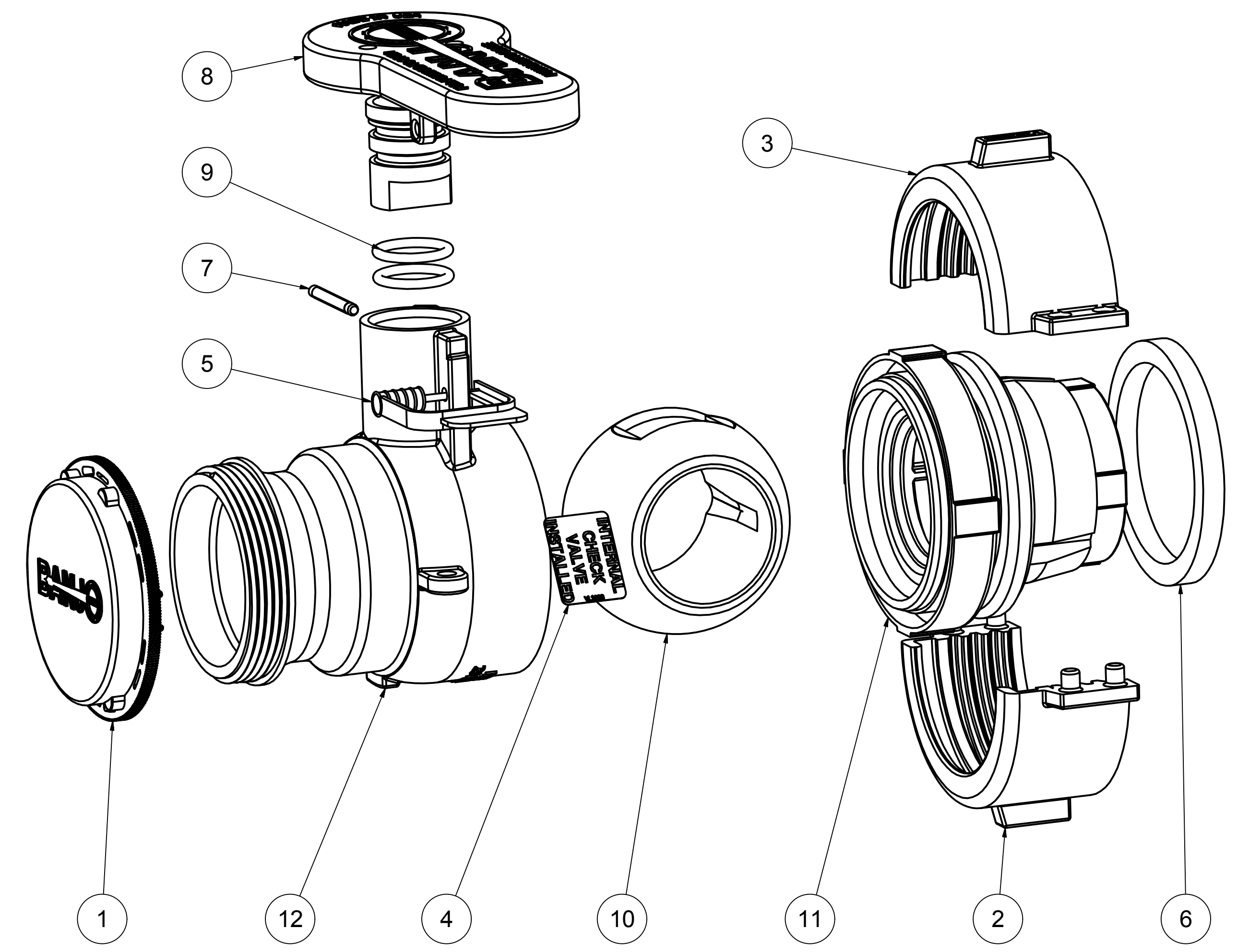
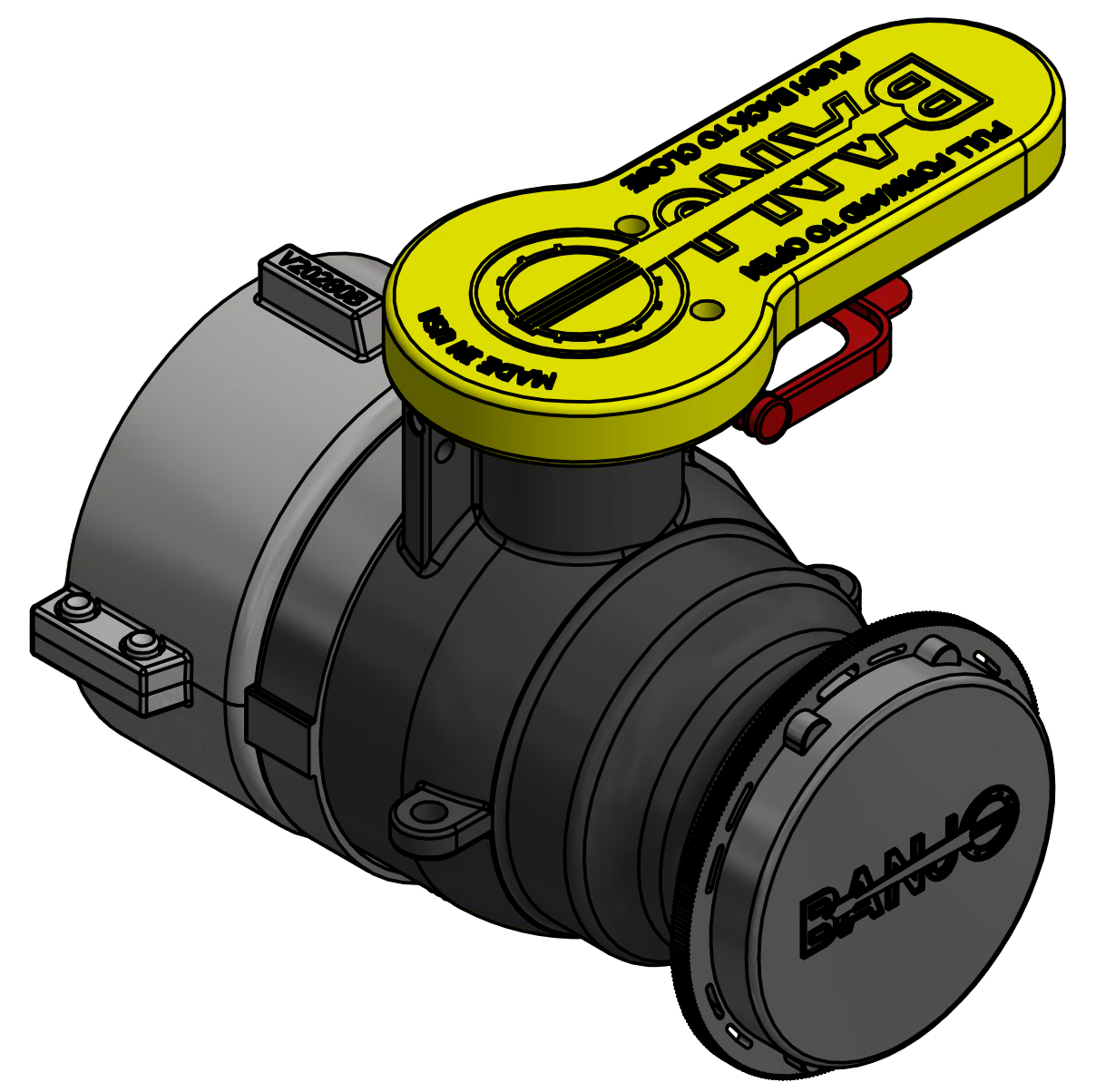


Parts List			
ITEM	QTY	PART NUMBER	DESCRIPTION
1	1	201FPT	2" NPTF Cap
2	1	V20280A	RING HALF, MALE
3	1	V20280B	RING HALF, FEMALE
4	1	VL1008	Check Valve Equipped Decal
5	1	VS20209	SPRING-LOK SEAL
6	1	W20284GS	Gasket for V20280 Metal Connection Ring
7	1	WS20002	Pin
8	1	WS20153	2" Handle for W Valve
9	2	WS20163	2-115 O-ring, FKM
10	1	WS20255T	2" TUMBLED VALVE BALL
11	1	WS20284BC	W STUBBY 80 SERIES E/P ASSY
12	1	WSF20264	2" QDC WELD BODY



THIS DRAWING AND ALL INFORMATION CONTAINED THEREON ARE THE EXCLUSIVE PROPERTY OF BANJO CORPORATION.

UNLESS SPECIFICALLY NOTED, THIS DRAWING AND ITEMS SHOWN ON THIS DRAWING ARE SUBJECT TO CHANGE AT ANY TIME.

BANJO CORPORATION
 150 BANJO DRIVE, CRAWFORDSVILLE, IN 47933
 WEB SITE: WWW.BANJO.CORP.COM
 E-MAIL: BANJOSALES@IDEXCORP.COM

DESCRIPTION
2" QDC OUTLET X COLLAR BALL CHECK STUBBY

PART NUMBER
WSFBC210