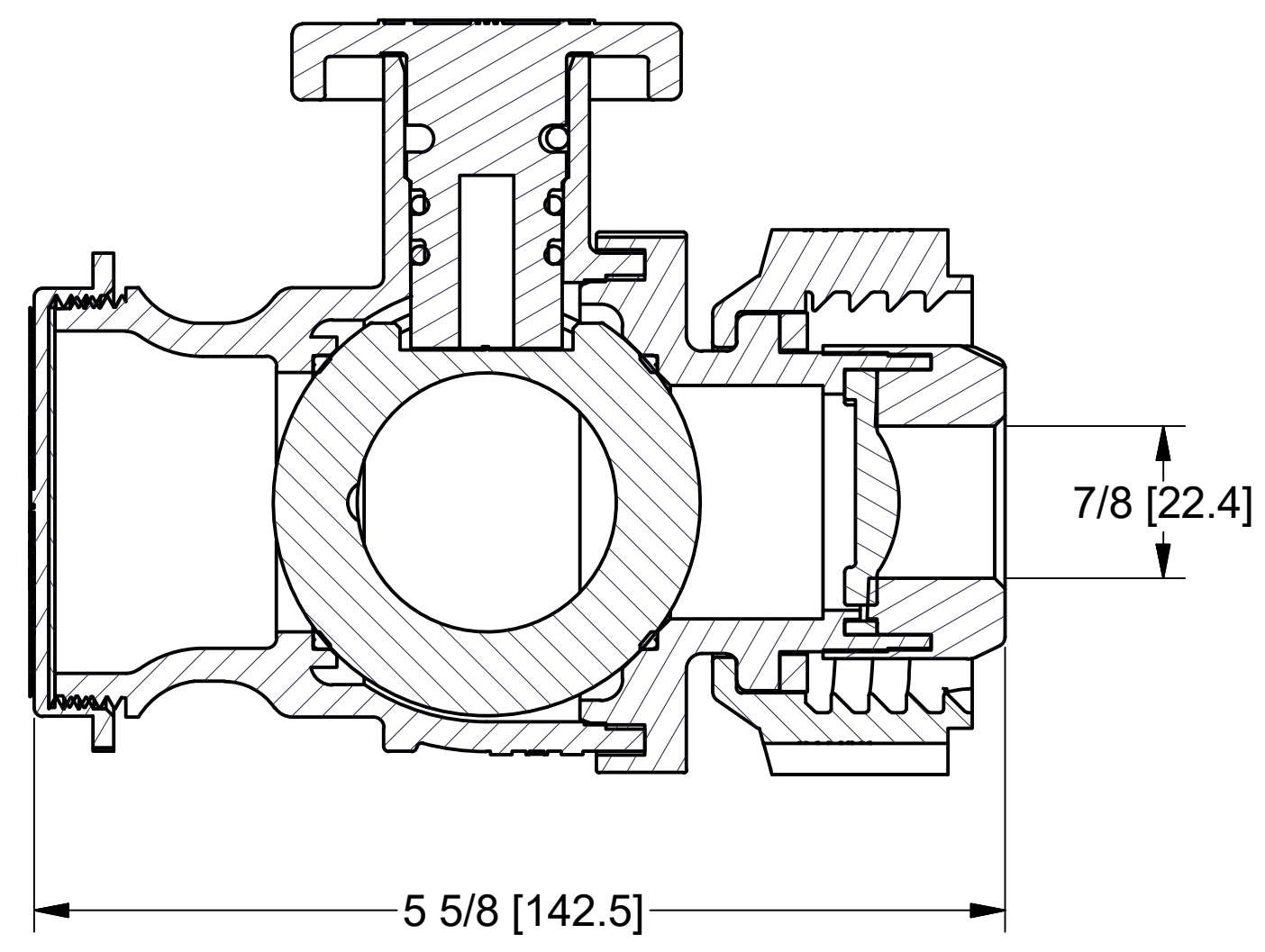
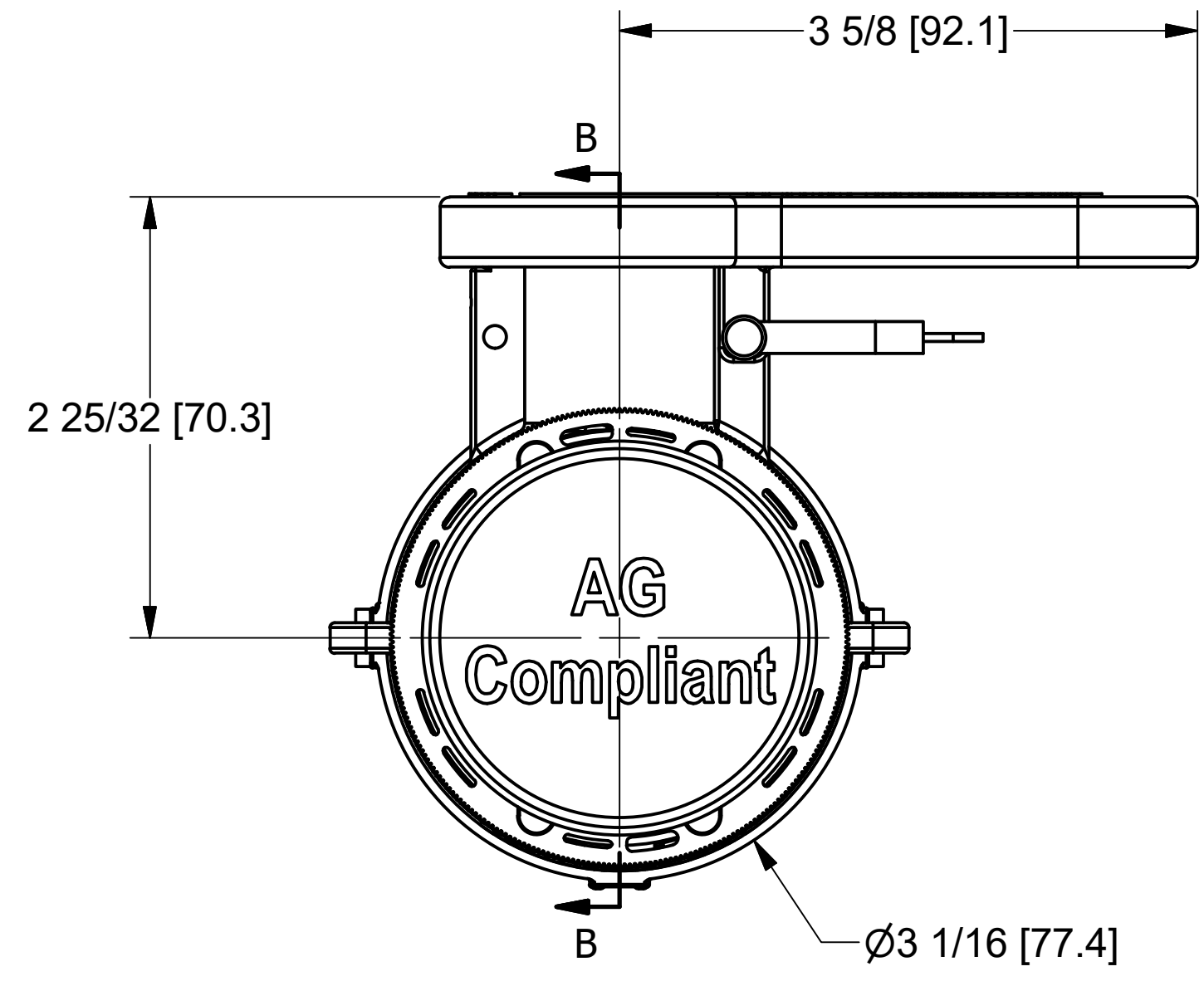
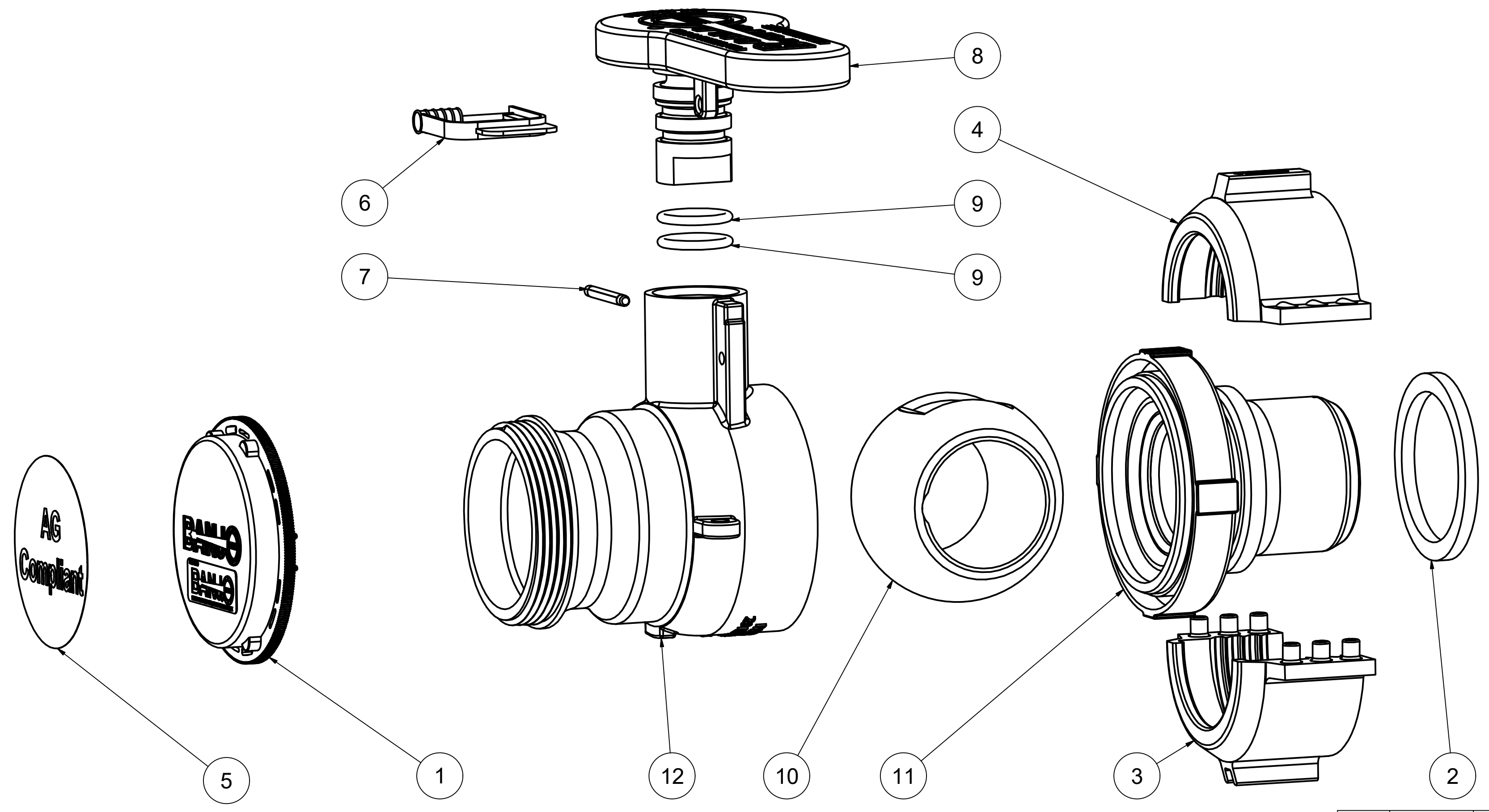


8 7 6 5 4 3 2 1



| Parts List | | | |
|------------|-----|-------------|---------------------------------|
| ITEM | QTY | PART NUMBER | DESCRIPTION |
| 1 | 1 | 211FPTL | 2" NPT YL Cap w/ Gasket & Label |
| 2 | 1 | V22275GV | VALVE GASKET |
| 3 | 1 | V22283C | MALE COLLAR HALF |
| 4 | 1 | V22283D | FEMALE COLLAR HALF |
| 5 | 1 | VL001FC | GREEN AG COMPLIANT LABEL |
| 6 | 1 | VS20209 | SPRING-LOK SEAL |
| 7 | 1 | WS20002 | Pin |
| 8 | 1 | WS20153 | 2" Handle for W Valve |
| 9 | 2 | WS20163 | 2-115 O-ring, FKM |
| 10 | 1 | WS20255T | 2" TUMBLED VALVE BALL |
| 11 | 1 | WS22396BC | BALL CHECK ENDPLATE |
| 12 | 1 | WSF20264 | 2" QDC WELD BODY |
| 13 | 1 | VL1008 | CHECK DECAL (N/S) |



TOLERANCE UNLESS OTHERWISE SPECIFIED
 DECIMALS 0.00 = +/- 0.010
 DECIMALS 0.000 = +/- 0.005
 FRACTIONS 1/X = +/- 1/32
 ANGLES = +/- 1

BREAK ALL SHOWN CORNERS W/ 1/32 R UNLESS OTHERWISE SPECIFIED



| | | |
|----------|-----|------------|
| DRAWN | MJC | 10/30/2014 |
| CHECKED | | |
| QA | | |
| MFG | | |
| APPROVED | | |

BANJO CORPORATION
 150 BANJO DRIVE, CRAWFORDSVILLE, IN 47933

TITLE
2" OUTLET X COLLAR STBY W/ FLAP CHECK

DWG NO WFC230254.idw DWG TYPE ENG REV 000
 PART NO WFC230254 SCALE 1:1 SHEET 1 OF 2

| ZONE | REV | DESCRIPTION | DATE | APPROVED |
|------|-----|-------------------------------|------------|----------|
| N/A | B1 | 211FPTL WITH C25PFSLE113 SEAL | 01/10/2017 | MS |
| N/A | B | REMOVED 202FPTG | 01/10/2017 | MS |
| | A | ADDED VL001FC | 07/08/2016 | DCT |

REVISION HISTORY

8 7 6 5 4 3 2 1