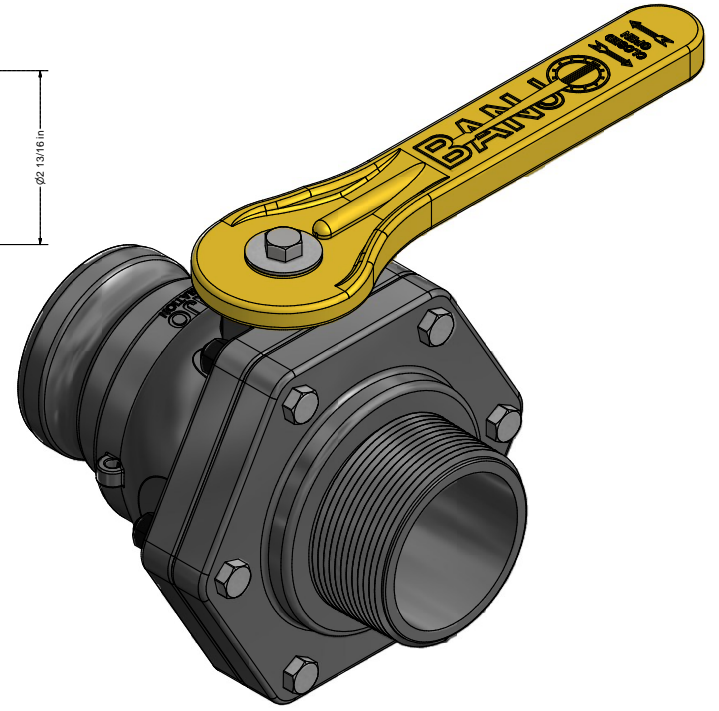
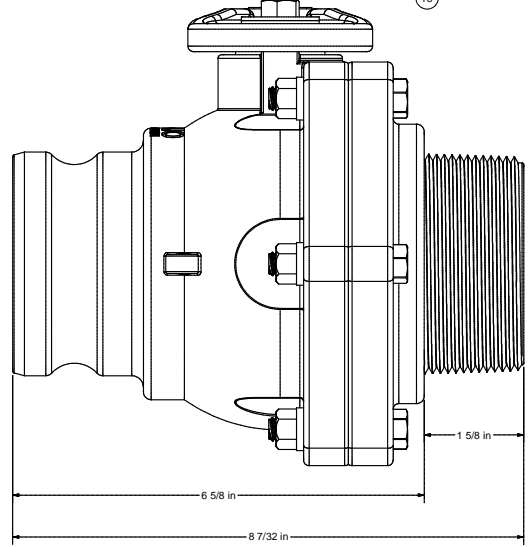
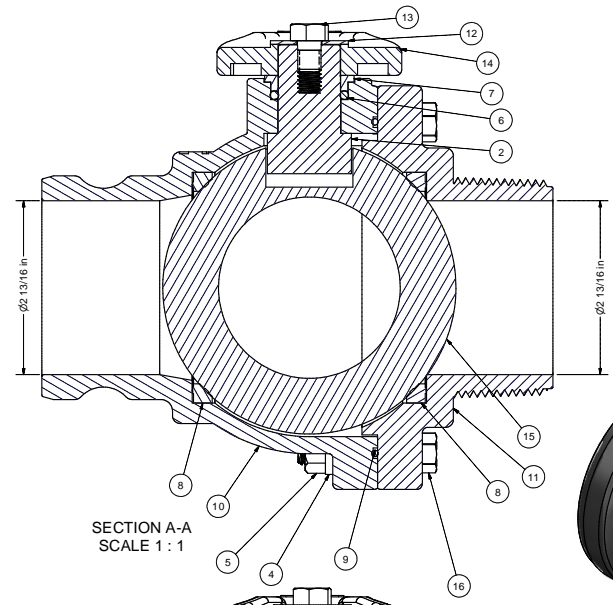
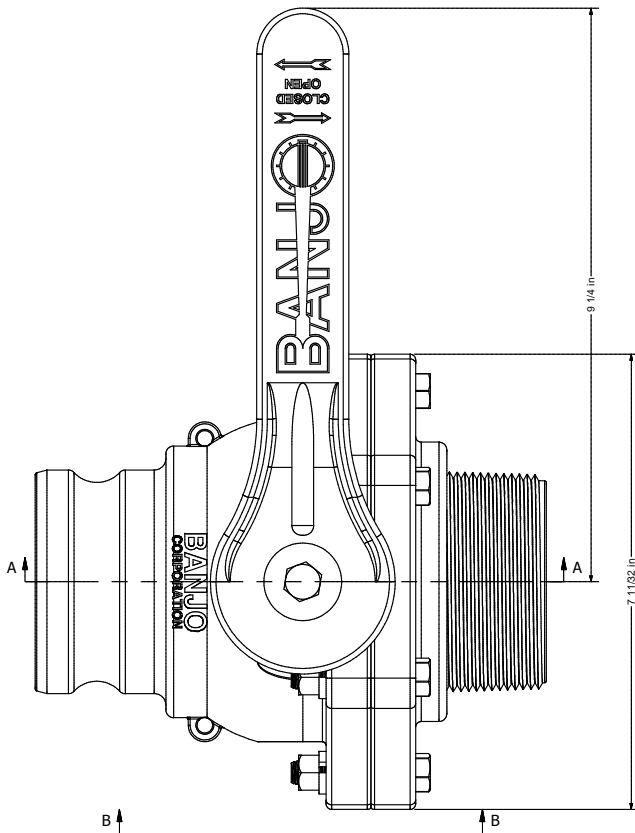


Parts List			
ITEM	QTY	PART NUMBER	DESCRIPTION
2	1	V30151B	3" Stubby Stem
4	6	V20018	3/8" LOCKWASHER
5	6	V20019	3/8" HEX NUT
6	1	V25163	#214 FKM O'RING
7	1	V25190	Stem Bushing
8	2	VS35258	3" FP Stubby Valve Seat
9	1	V35265	3" FP body O-ring FKM
10	1	VSF35254	3" FP Stubby F Body
11	1	VSMT35256	3" FP Stubby NPT Male Thd Endplate
12	1	V25121	3/8" Fender Washer
13	1	V25020	3/8" Handle Bolt
14	1	V25153	2" FP Handle
15	1	V35256A	3" Full Port Ball
16	6	V20016SS	3/8-16 X 2" HHCS



THIS DRAWING AND ALL INFORMATION CONTAINED THEREON ARE THE EXCLUSIVE PROPERTY OF BANJO CORPORATION.

UNLESS SPECIFICALLY NOTED, THIS DRAWING AND ITEMS SHOWN ON THIS DRAWING ARE SUBJECT TO CHANGE AT ANY TIME.



BANJO CORPORATION
 150 BANJO DRIVE, CRAWFORDSVILLE, IN 47933
 WEB SITE: WWW.BANJOCORP.COM
 E-MAIL: SALES1@BANJOCORP.COM

DESCRIPTION	3" Male Adapter x 3" Male NPT Thds Stubby Valve
PART NUMBER	VSMT300FP