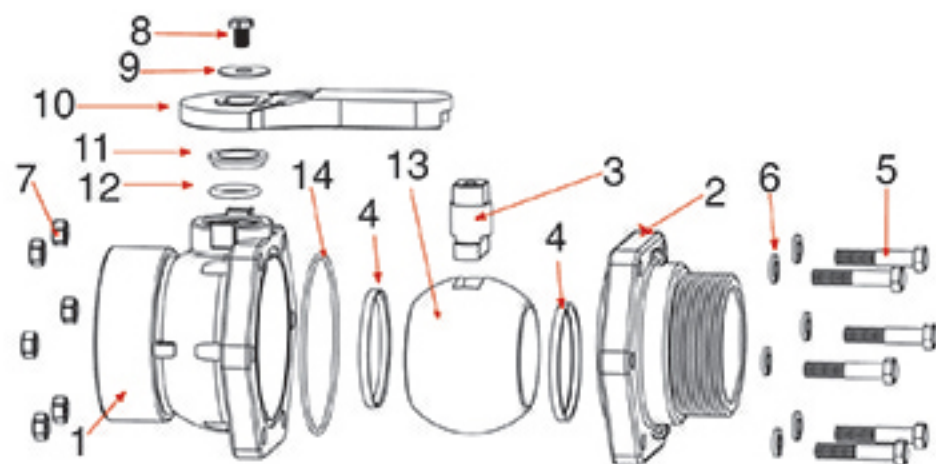
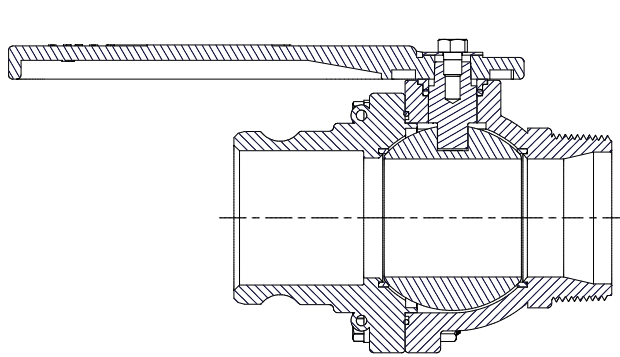


Part Number : VSFMT300

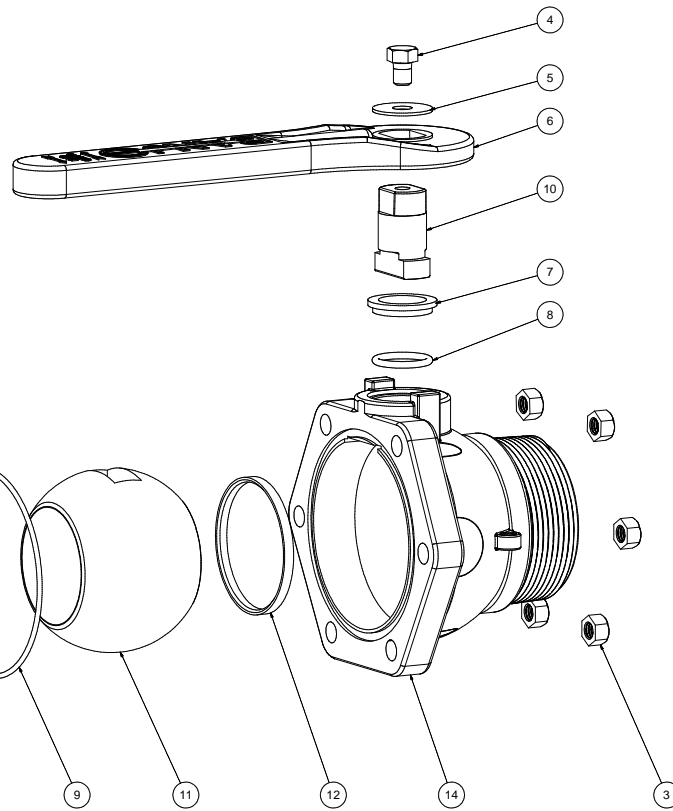
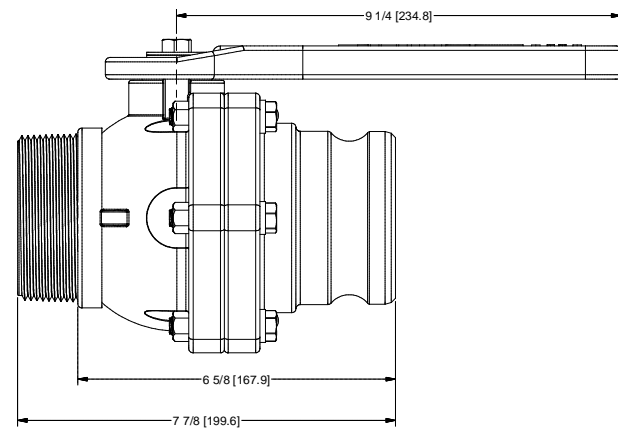
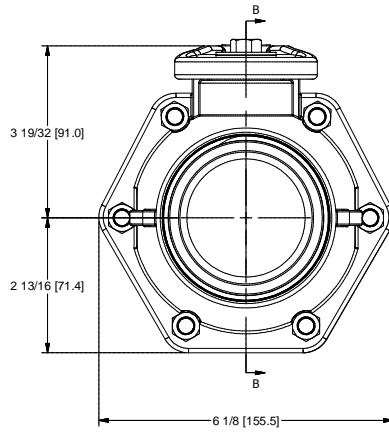


Item	Part No.	Description	Qty.
1	VSMT30254	3" MPT Stubby Body	1
2	VSF30264	3" Stubby "F" End Plate	1
3	VS25151B	Short Stem	1
4	VS30258	3" Stubby Seat	2
5	V20010SS	3/8" - 16 x 2" SS Bolt	6
6	V20018	3/8" SS Lock Washer	6
7	V20019	3/8" 16 SS Hex Nut	6
8	V25020	3/8" x 1/2" Handle Bolt	1
9	V25121	Handle Washer	1
10	V25153	Handle-Straight	1
11	V25160	Upper Stem Bushing	1
12	V25163	FKM (viton type) Stem O-Ring	1
13	VS30255	3" Ball	1
14	V30265	FKM (viton type) Body O-Ring	1

ITEM	QTY	PART NUMBER	Parts List	DESCRIPTION
1	6	V20010SS	3/8-16 X 2" HHCS	
2	6	V20018	3/8" LOCKWASHER	
3	6	V20019	3/8" HEX NUT	
4	1	V25020	3/8" Handle Bolt	
5	1	V25121	3/8" Fender Washer	
6	1	V25153	2" FP Handle	
7	1	V25160	Stem Bushing	
8	1	V25163	#214 FKM O'RING	
9	1	V30265	#156 FKM O'RING	
10	1	VS25151B	2" FP Stubby Stem	
11	1	VS30255	3" VALVE BALL	
12	2	VS30258	3" Stubby Valve Seat	
13	1	VSF30264	3" Stubby F Endplate	
14	1	VSMT30254	3" STUBBY VALVE BODY W/ MALE THREADS	



SECTION B-B
SCALE 1:1



BANJO CORPORATION
 150 BANJO DRIVE, CRAWFORDSVILLE, IN 47933
 WEB SITE: WWW.BANJOCORP.COM
 E-MAIL: SALES1@BANJOCORP.COM

THIS DRAWING AND ALL INFORMATION CONTAINED THEREON ARE THE EXCLUSIVE PROPERTY OF BANJO CORPORATION.
 UNLESS SPECIFICALLY NOTED, THIS DRAWING AND ITEMS SHOWN ON THIS DRAWING ARE SUBJECT TO CHANGE AT ANY TIME.

DESCRIPTION: 3" "M" STUBBY VALVE, LONG HANDLE
 PART NUMBER: VSFMT300