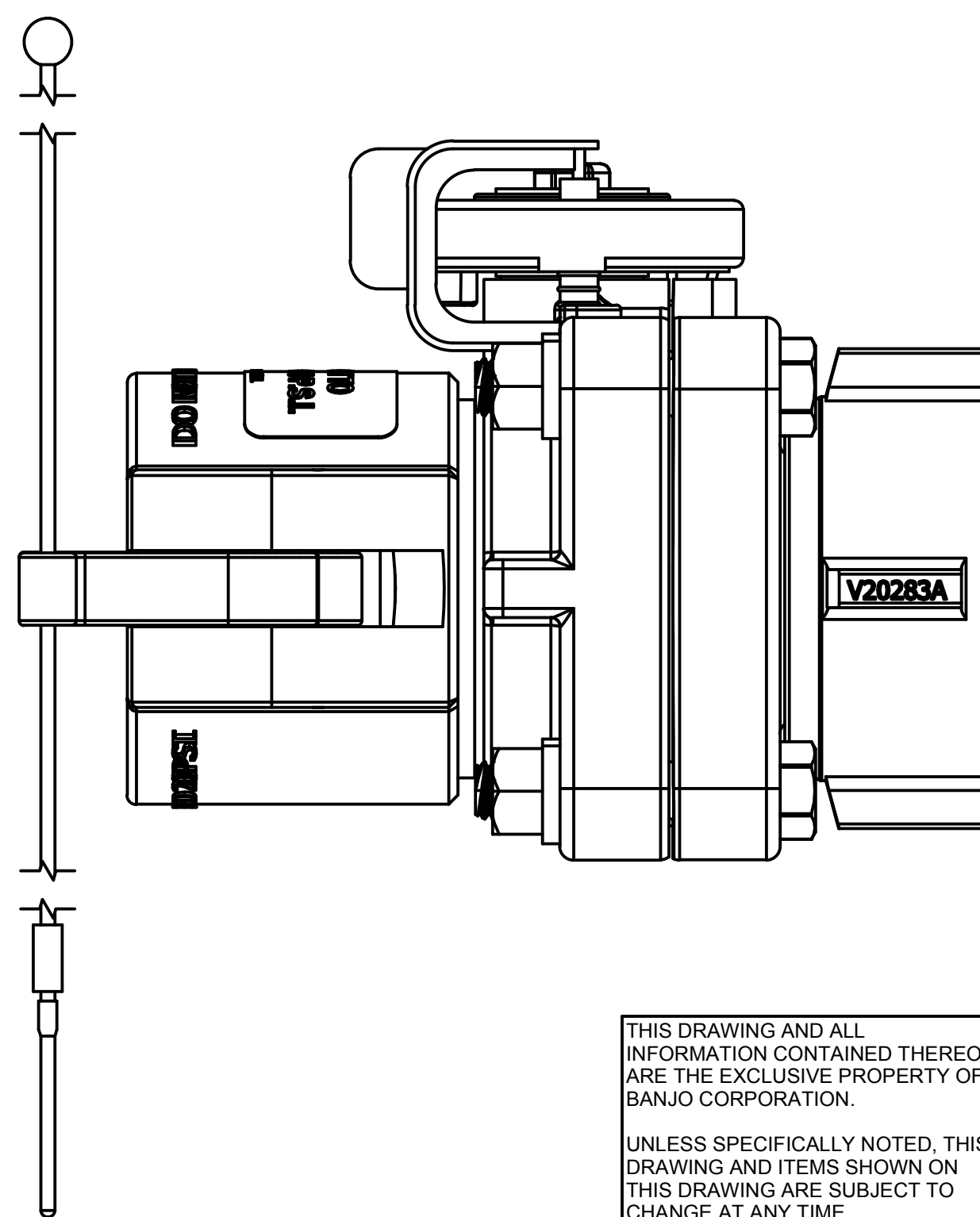
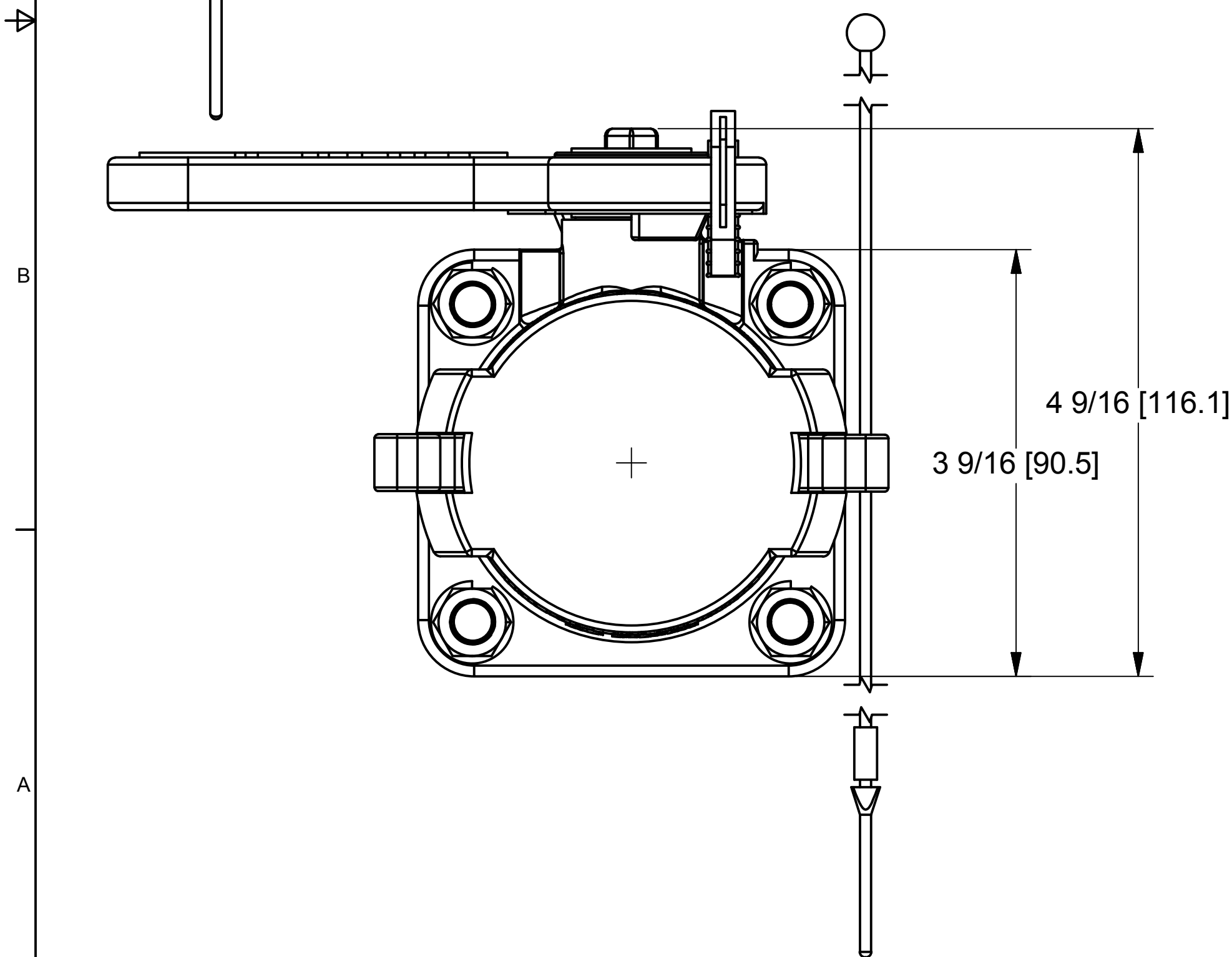


Parts List			
ITEM	QTY	PART NUMBER	DESCRIPTION
1	1	202CAP	2" POLY CAP
2	1	V20207	Polyurethane Lanyard
3	1	VS20208	HANDILOK SEAL HL-8
4	1	VSF202MR	2" Male Coupler x 60MM Collar Valve



THIS DRAWING AND ALL INFORMATION CONTAINED THEREON ARE THE EXCLUSIVE PROPERTY OF BANJO CORPORATION.

UNLESS SPECIFICALLY NOTED, THIS DRAWING AND ITEMS SHOWN ON THIS DRAWING ARE SUBJECT TO CHANGE AT ANY TIME.

BANJO CORPORATION 150 BANJO DRIVE, CRAWFORDSVILLE, IN 47933 WEB SITE: WWW.BANJOCORP.COM E-MAIL: BANJOSALES@IDEXCORP.COM	
DESCRIPTION	VSF202MR w/ 202CAP
PART NUMBER	F-ISO11