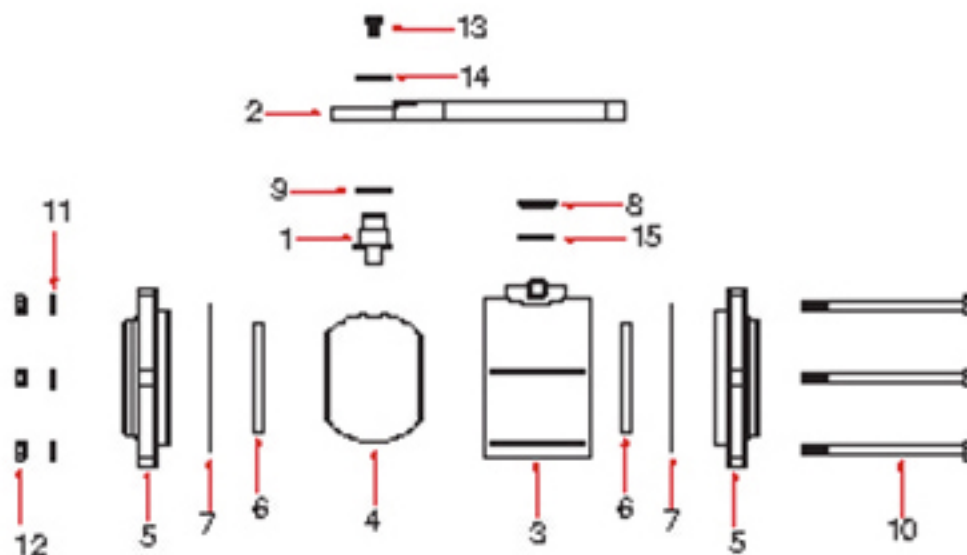
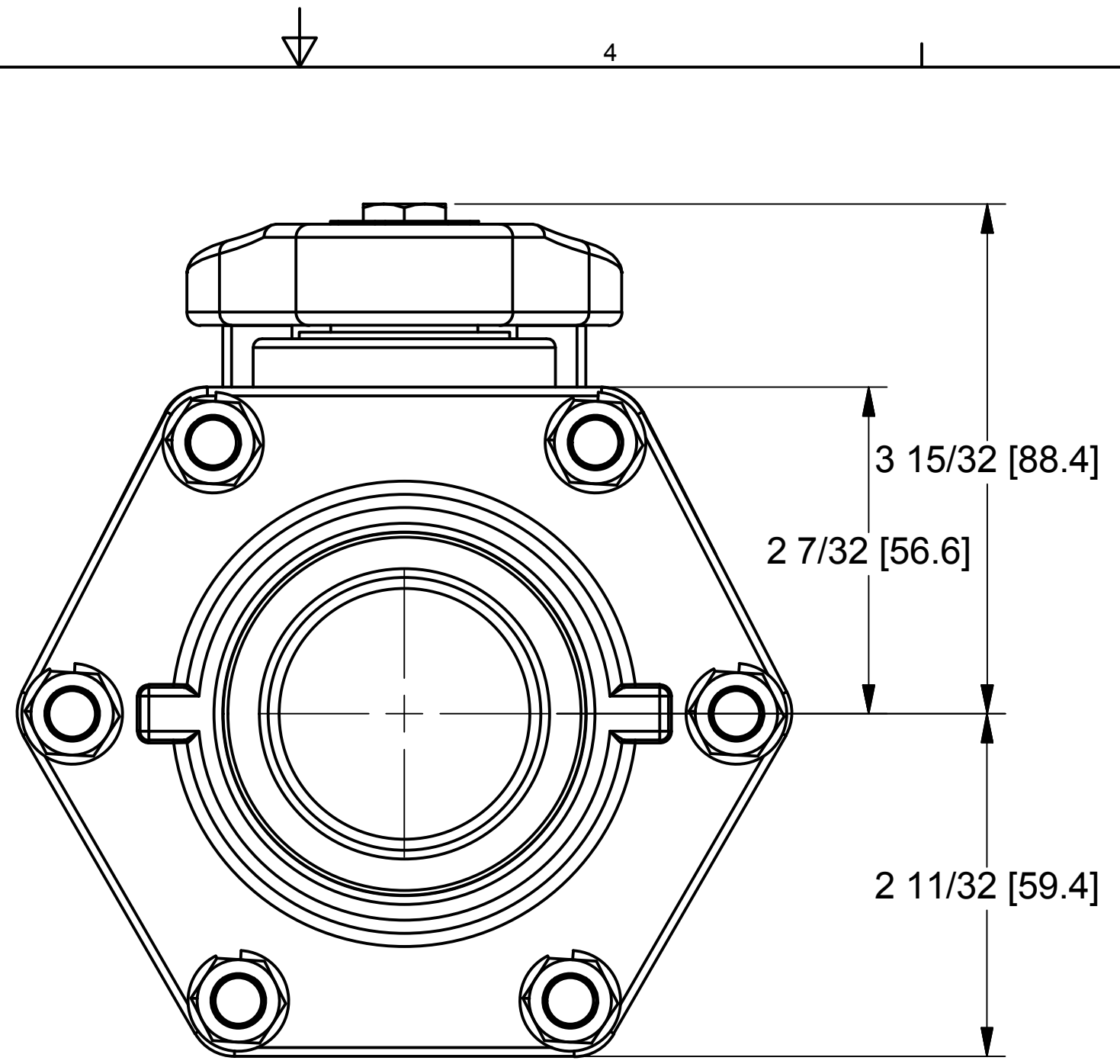
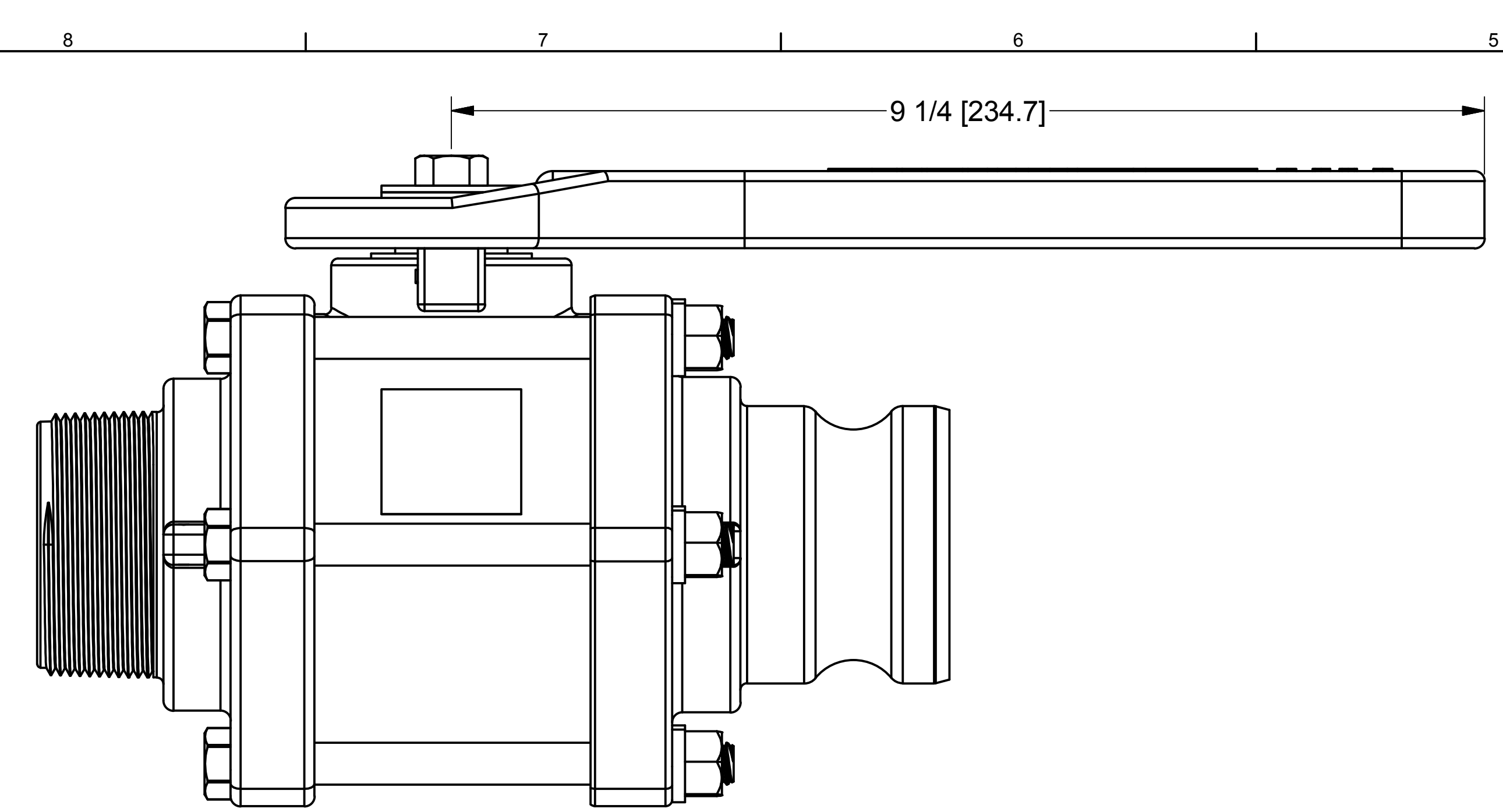


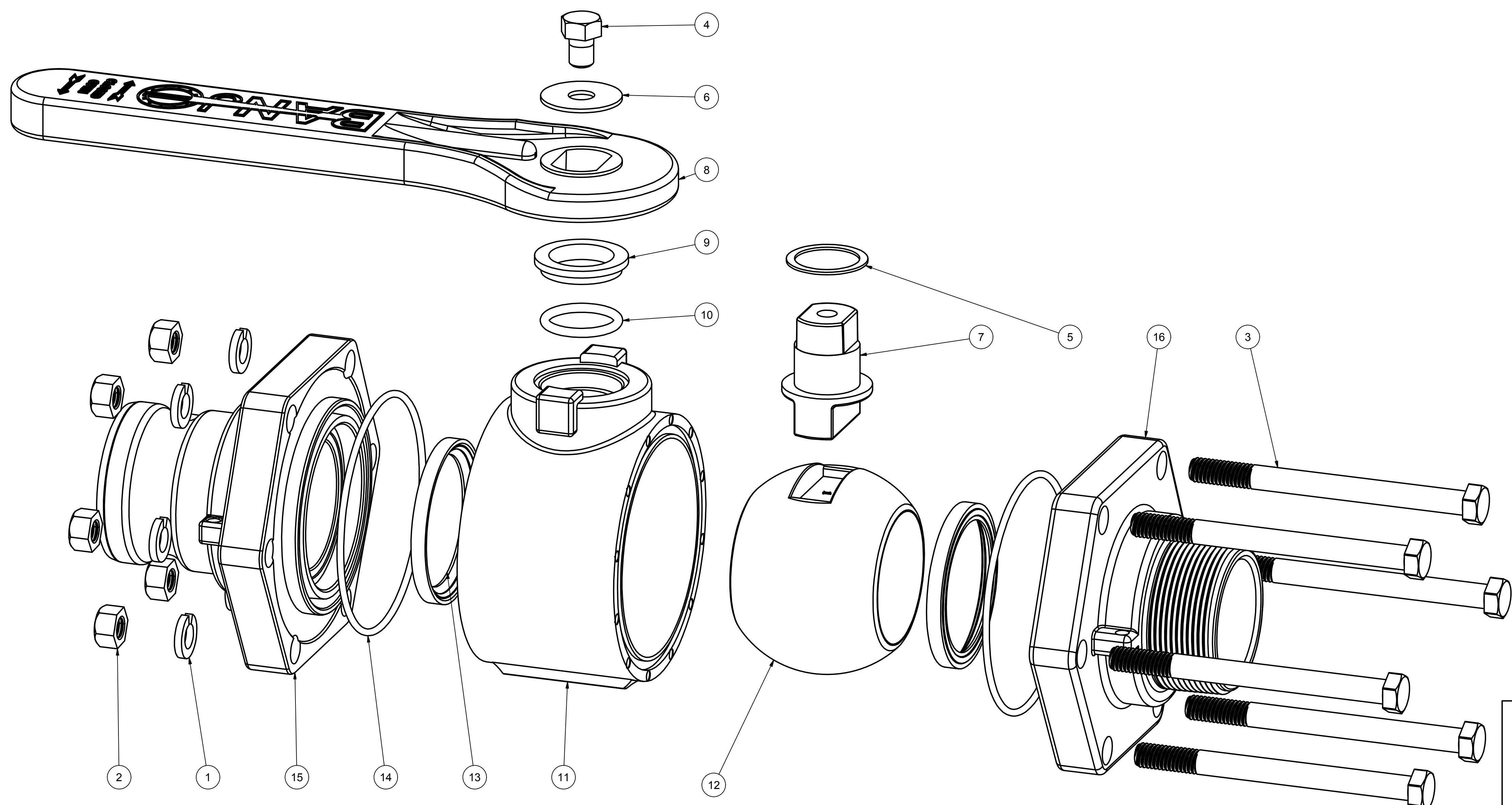
Part Number : VFMT200FP



Item	Part No.	Description	Qty.
1	V25151B	Stem	1
2	V25153	Handle	1
3	V25254	Valve Body	1
4	V25255A*	Valve Ball	1
5	V25256	2" End Plate Female NPT	2
5	VMT25256	2" End Plate Male NPT	1
5	VF25256	2" End Plate Male Adapter	1
6	V25258A*	Ball Seat	2
7	V25264*	FKM?(viton type) Valve Body O-Ring	2
8	V25160*	Upper Stem Bushing	1
9	V25060*	Thrust Washer	1
10	V25017	3/8" x 4½" SS Body Bolt	6
11	V20018	¼" SS Lock Washer	4
12	V20019	3/8" 16 SS Hex Nut	4
13	V25020	#10 x ¾" SS Handle Bolt	1
14	V25121	SS Handle Washer	1
15	V25163*	FKM?(viton type) Stem O-Ring	1
	V25271	90° Mounting Bracket	1
	V25270	Straight Mounting Bracket	1
	V25200	Repair Kit (Includes items with asterisk*)	1



Parts List			
ITEM	QTY	PART NUMBER	DESCRIPTION
1	6	V20018	3/8" LOCKWASHER
2	6	V20019	3/8" HEX NUT
3	6	V25017	3/8-16 X 4 1/2" HHCS
4	1	V25020	3/8" Handle Bolt
5	1	V25060	VALVE STEM THRUST BEARING
6	1	V25121	3/8" Fender Washer
7	1	V25151B	2" FP Stem
8	1	V25153	2" FP Handle
9	1	V25160	Stem Bushing
10	1	V25163	#214 FKM O'RING
11	1	V25254	2" FP VALVE BODY
12	1	V25255A	2" FP Valve Ball
13	2	V25258A	3" FP Ball Seat
14	2	V25264	CUSTOM BODY O-RING
15	1	VF25256	2" Full Port Male Adapter Endplate
16	1	VMT25256	V200FP MPT ENDPLATE



THIS DRAWING AND ALL INFORMATION CONTAINED THEREON ARE THE EXCLUSIVE PROPERTY OF BANJO CORPORATION.

UNLESS SPECIFICALLY NOTED, THIS DRAWING AND ITEMS SHOWN ON THIS DRAWING ARE SUBJECT TO CHANGE AT ANY TIME.

BANJO CORPORATION
 150 BANJO DRIVE, CRAWFORDSVILLE, IN 47933
 WEB SITE: WWW.BANJOCORP.COM
 E-MAIL: SALES1@BANJOCORP.COM

DESCRIPTION
2" FP Male Adapter X 2" MNPT Valve

PART NUMBER
VFMT200FP