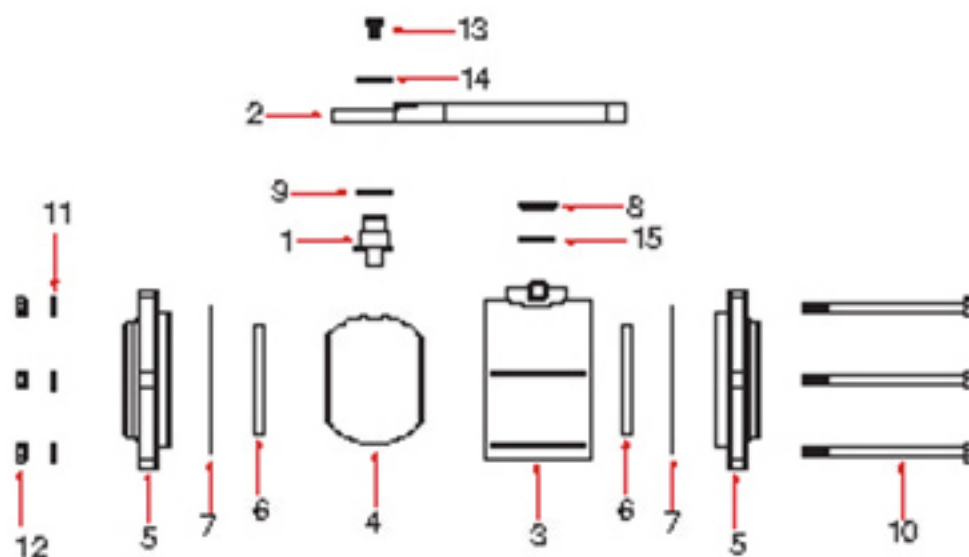
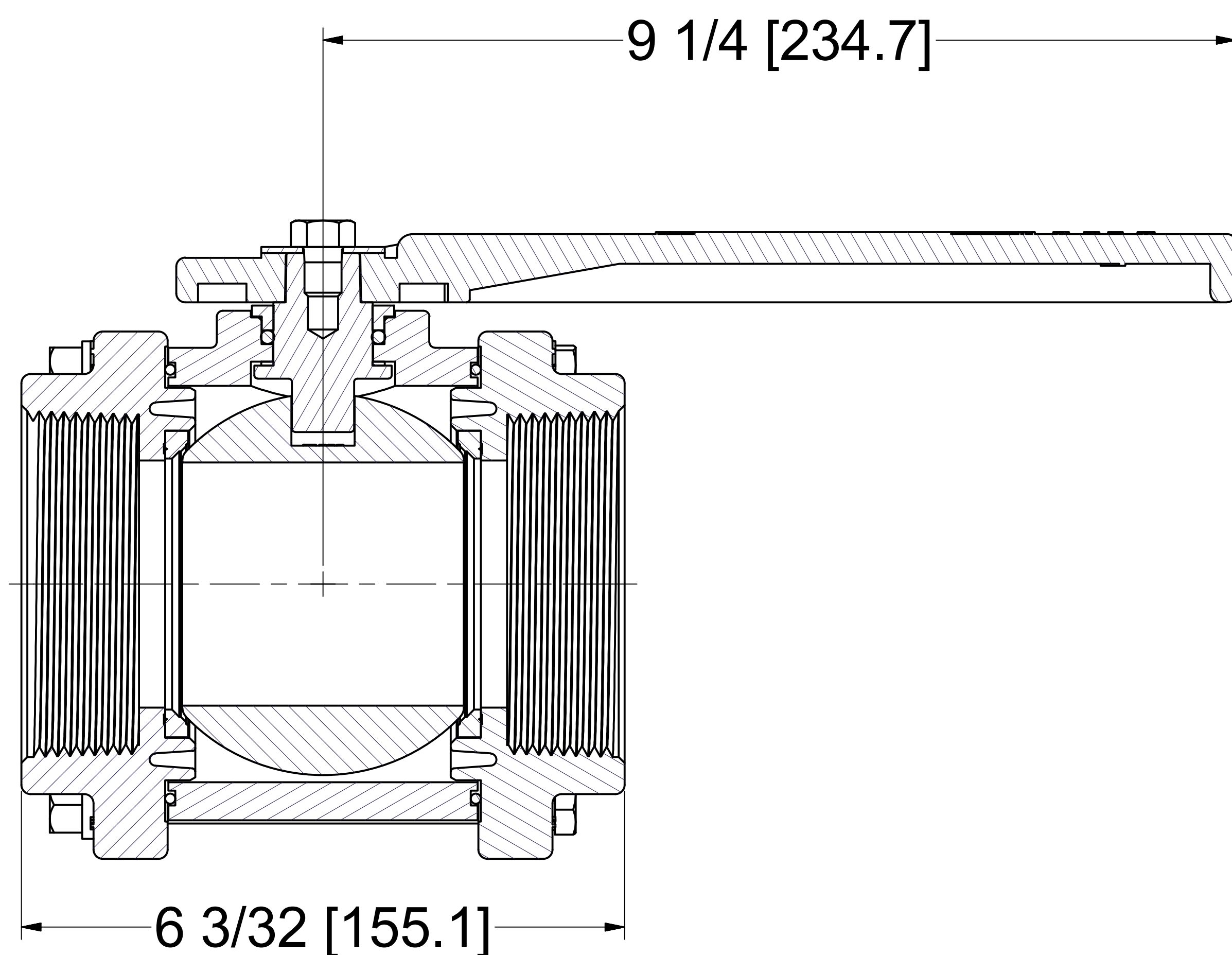
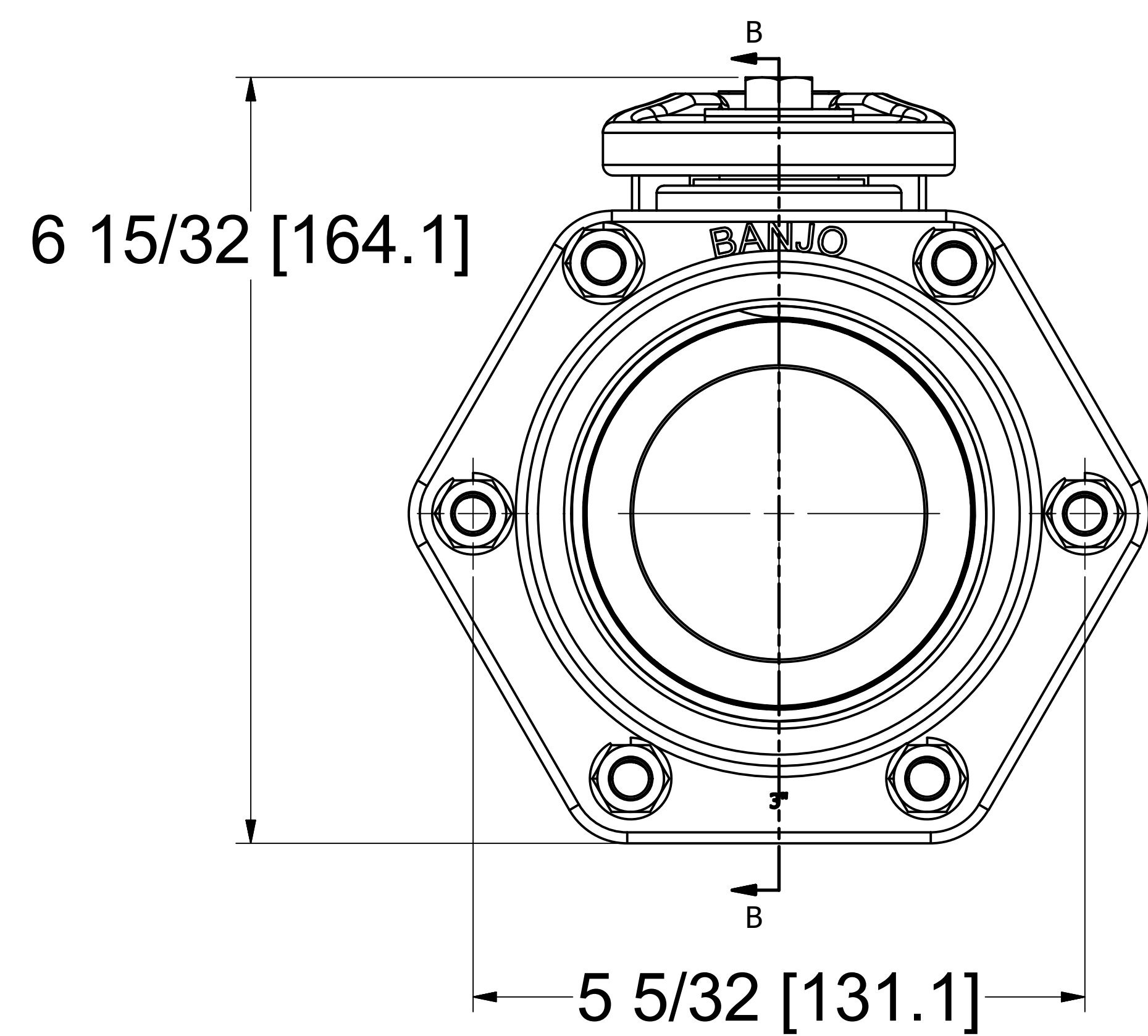


Part Number : V300

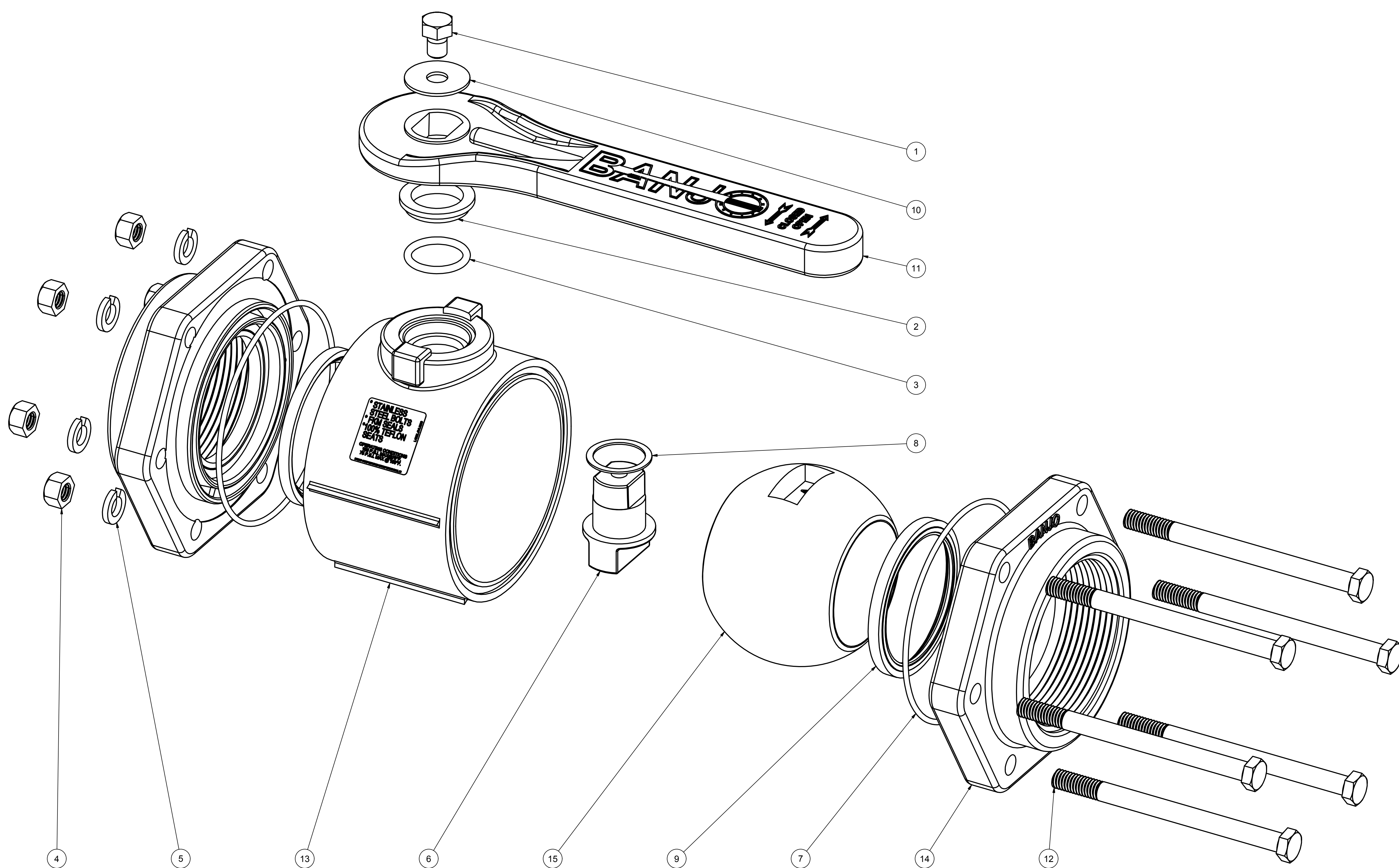


Item	Part No.	Description	Qty.
1	V25151B	Stem	1
2	V25153	Handle	1
3	V30254	Valve Body	1
4	V30255	Valve Ball	1
5	V30264	3" End Plate	2
6	V30258A	Ball Seat	2
7	V30265	FKM (viton type) Valve Body O-Ring	2
8	V25160	Upper Stem Bushing	1
9	V25060	Thrust Washer	1
10	V30017	3/8" x 5" SS Body Bolt	6
11	V20018	1/4" SS Lock Washer	4
12	V20019	3/8" 16 SS Hex Nut	4
13	V25020	#10 x 3/4" SS Handle Bolt	1
14	V25121	SS Handle Washer	1
15	V25163	FKM (viton type) Stem O-Ring	1



SECTION B-B
SCALE 1 : 1

Parts List			
ITEM	QTY	PART NUMBER	DESCRIPTION
1	1	V25020	3/8" Handle Bolt
2	1	V25160	Stem Bushing
3	1	V25163	#214 FKM O'RING
4	6	V20019	3/8" HEX NUT
5	6	V20018	3/8" LOCKWASHER
6	1	V25151B	2" FP Stem
7	2	V30265	#156 FKM O'RING
8	1	V25060	VALVE STEM THRUST BEARING
9	2	V30258A	3" FP Ball Seat
10	1	V25121	3/8" Fender Washer
11	1	V25153	2" FP Handle
12	6	V30017	3/8" - 16 X 5" SS Body Bolt
13	1	V30254	3" Std Port Valve Body
14	2	V30264	3" Standard Port Endplate
15	1	V30255	3" Ball - Tumbled



THIS DRAWING AND ALL INFORMATION CONTAINED THEREON ARE THE EXCLUSIVE PROPERTY OF BANJO CORPORATION.
UNLESS SPECIFICALLY NOTED, THIS DRAWING AND ITEMS SHOWN ON THIS DRAWING ARE SUBJECT TO CHANGE AT ANY TIME.

BANJO CORPORATION 150 BANJO DRIVE, CRAWFORDSVILLE, IN 47933 WEB SITE: WWW.BANJOCORP.COM E-MAIL: SALES1@BANJOCORP.COM	
DESCRIPTION	3" Ball Valve Assembly
PART NUMBER	V300