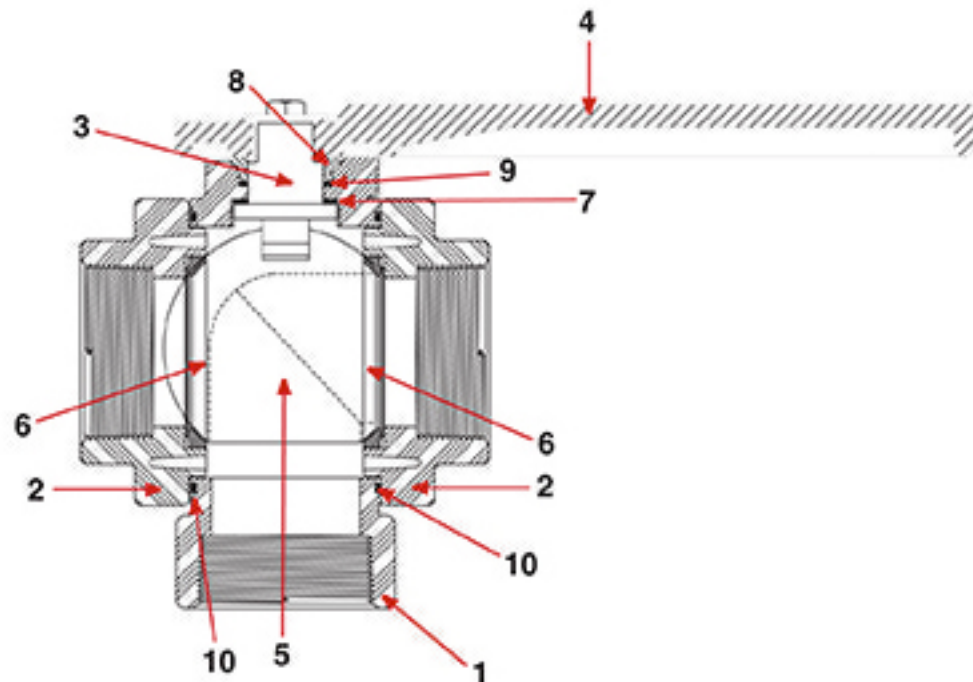
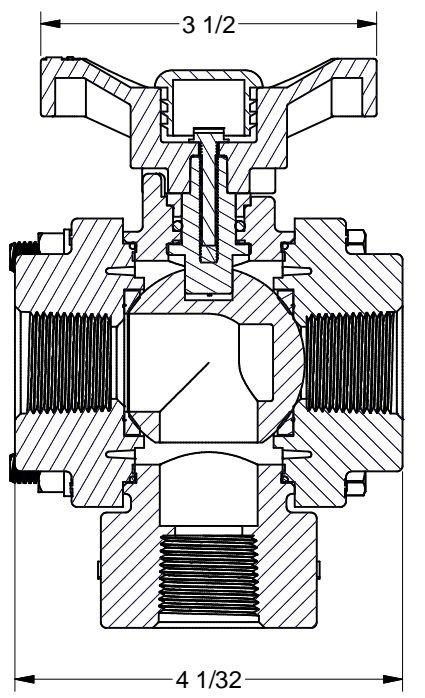
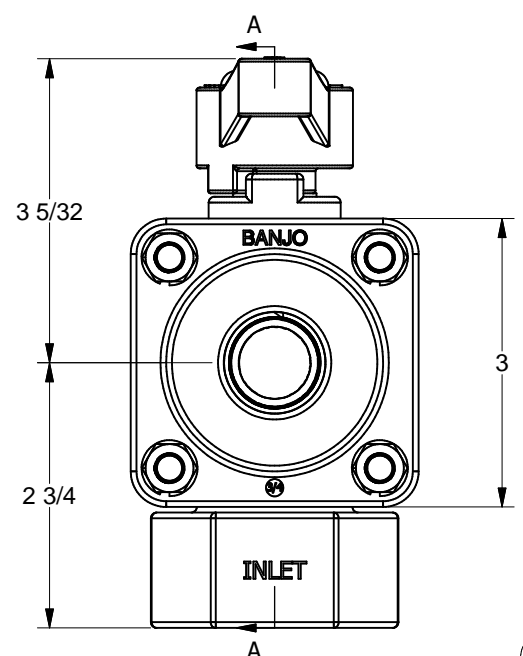


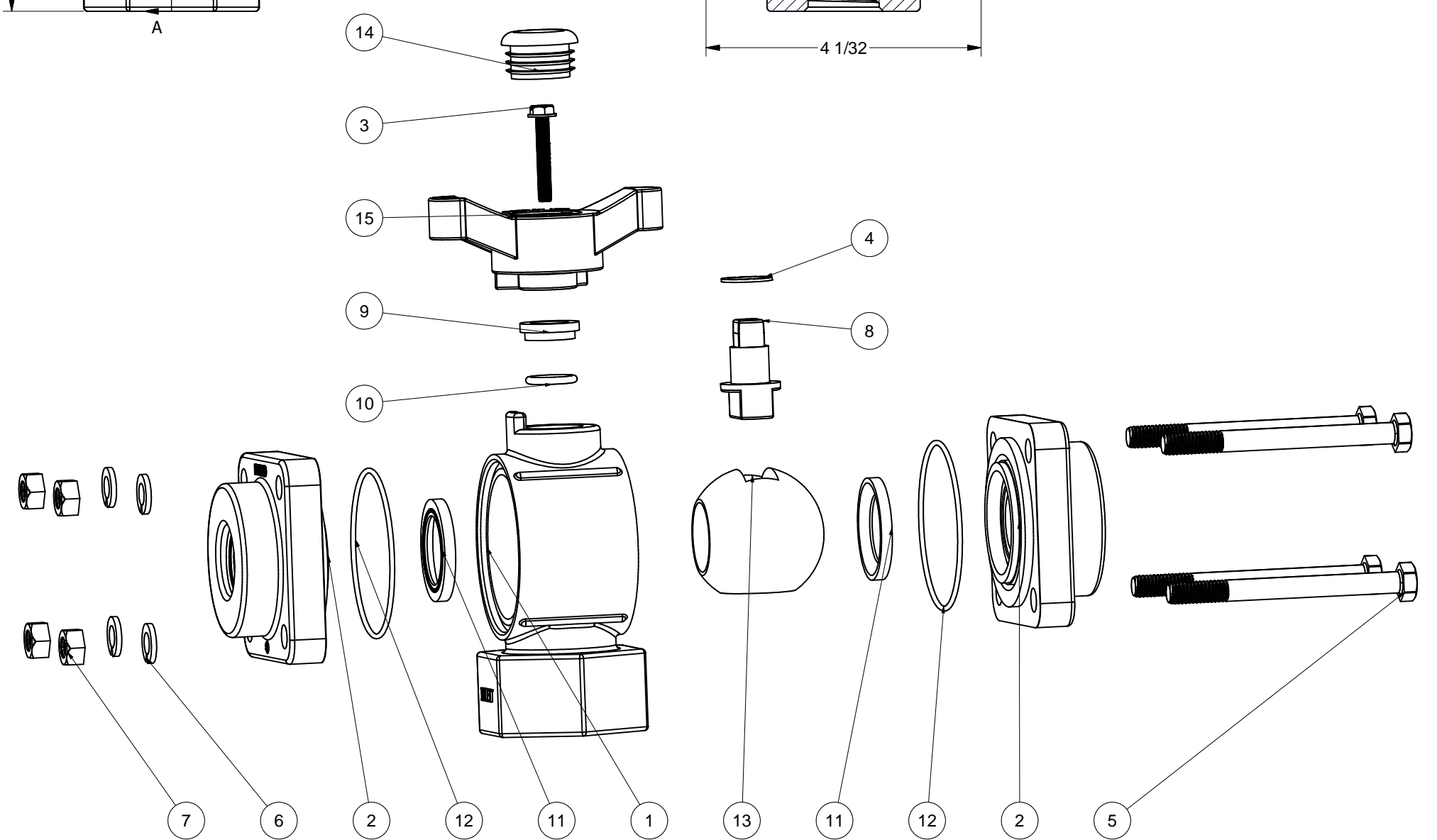
Part Number : V075BL



Item	Part No.	Description	Qty.
1	V07354B	3/4" Valve Body	1
2	V07357	3/4" End Plate	2
3	V10151A	Stem	1
4	V10353TB	Handle -T	1
5	V10355B	Ball	1
6	V10258	Seats	2
7	V10060	Thrust Bushing	1
8	V10159	Upper Stem Bushing	1
9	V10163	FKM (viton type) Stem O-Ring	1
10	V10264	FKM (viton type) Body O-Ring	2



Parts List			
ITEM	QTY	PART NUMBER	DESCRIPTION
1	1	V07354B	BOTTOM LOAD VALVE BODY
2	2	V07357	3/4" NPT 3-WAY END PLATE
3	1	V10020A	10-32 X 1 1/4" SMS
4	1	V10060	THRUST BEARING
5	4	V10117	5/16 - 18 X 3 1/2" HHCS
6	4	V10118	5/16" LOCKWASHER
7	4	V10119	5/16" HEX NUT
8	1	V10151A	STEM
9	1	V10159	STEM BUSHING
10	1	V10163	#113 O-RING, FKM
11	2	V10258	3" FP Ball Seat
12	2	V10264	#36 O-RING
13	1	V10355B	BOTTOM LOAD BALL
14	1	V20353C	1 1/8" CAPLUG
15	1	V10353TB	BOTTOM LOAD T-HANDLE
16	1	050DECAL	DECAL (N/S)



THIS DRAWING AND ALL INFORMATION CONTAINED THEREON ARE THE EXCLUSIVE PROPERTY OF BANJO CORPORATION.

UNLESS SPECIFICALLY NOTED, THIS DRAWING AND ITEMS SHOWN ON THIS DRAWING ARE SUBJECT TO CHANGE AT ANY TIME.



BANJO CORPORATION

BANJO CORPORATION
150 BANJO DRIVE, CRAWFORDSVILLE, IN 47933
WEB SITE: WWW.BANJOCORP.COM
E-MAIL: BANJOSALES@IDEXCORP.COM

DESCRIPTION	3/4" BOTTOM LOAD VALVE
PART NUMBER	V075BL