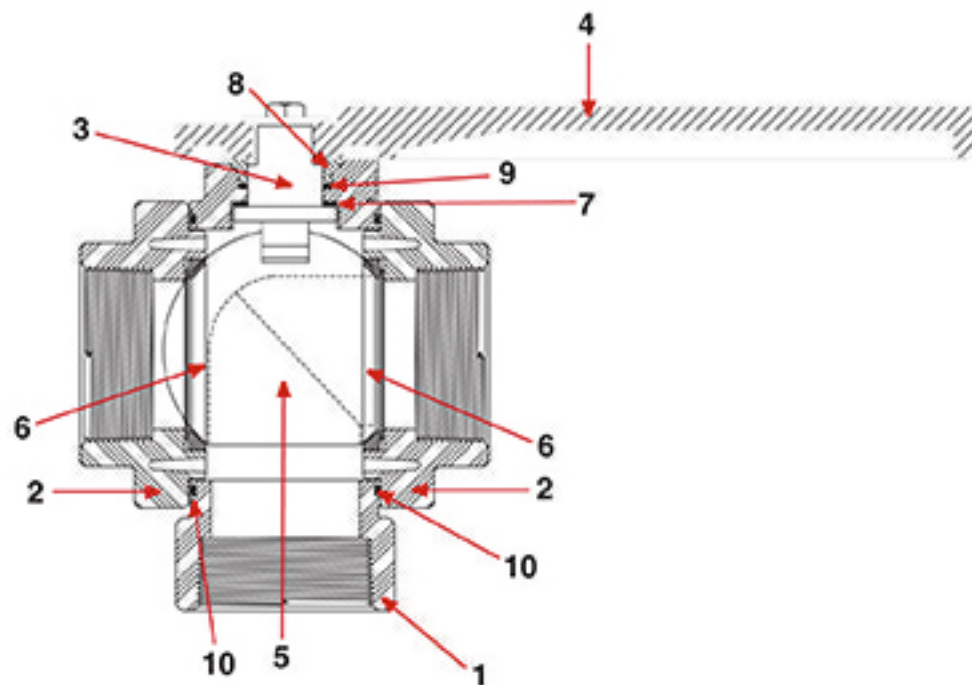
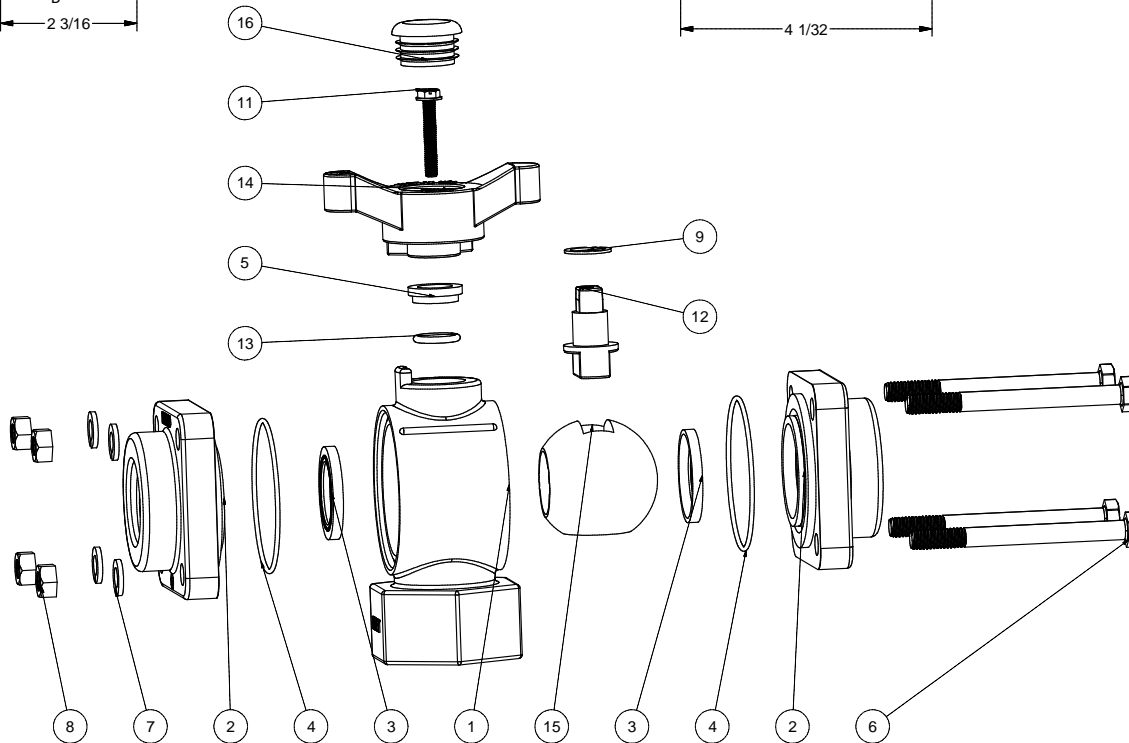
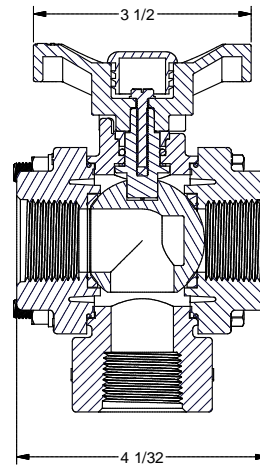
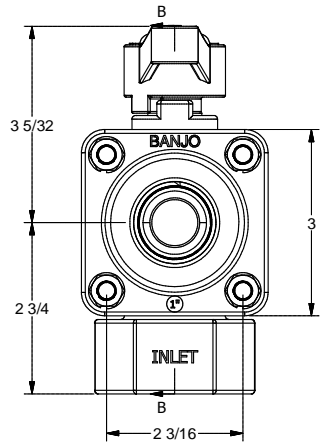


Part Number : V100BL



Item	Part No.	Description	Qty.
1	V10354B	1" Valve Body	1
2	V10257	1" End Plate	2
3	V10151A	Stem	1
4	V10353TB	Handle -T	1
5	V10355B	Ball	1
6	V10258	Seats	2
7	V10060	Thrust Bushing	1
8	V10159	Upper Stem Bushing	1
9	V10163	FKM (viton type) Stem O-Ring	1
10	V10264	FKM (viton type) Body O-Ring	2



Parts List

ITEM	QTY	PART NUMBER	DESCRIPTION
1	1	V10354B	BOTTOM LOAD VALVE BODY
2	2	V10357	1" ENDPLATE
3	2	V10258	3" FP Ball Seat
4	2	V10264	#36 O-RING
5	1	V10159	STEM BUSHING
6	4	V10117	5/16 - 18 X 3 1/2" HHCS
7	4	V10118	5/16" LOCKWASHER
8	4	V10119	5/16" HEX NUT
9	1	V10060	THRUST BEARING
10	1	050DECAL	LOGO DECAL (N/S)
11	1	V10020A	10-32 X 1 1/4" SMS
12	1	V10151A	STEM
13	1	V10163	#113 O-RING, FKM
14	1	V10353TB	BOTTOM LOAD T-HANDLE
15	1	V10355B	BOTTOM LOAD T-BALL
16	1	V20353C	1 1/8" CAPLUG



BANJO CORPORATION
 150 BANJO DRIVE, CRAWFORDSVILLE, IN 47933
 WEB SITE: WWW.BANJOCORP.COM
 E-MAIL: BANJOSALES@IDEXCORP.COM

THIS DRAWING AND ALL INFORMATION CONTAINED THEREON ARE THE EXCLUSIVE PROPERTY OF BANJO CORPORATION.

UNLESS SPECIFICALLY NOTED, THIS DRAWING AND ITEMS SHOWN ON THIS DRAWING ARE SUBJECT TO CHANGE AT ANY TIME.

DESCRIPTION
1" BOTTOM LOAD VALVE ASSY., FKM
 PART NUMBER
V100BL