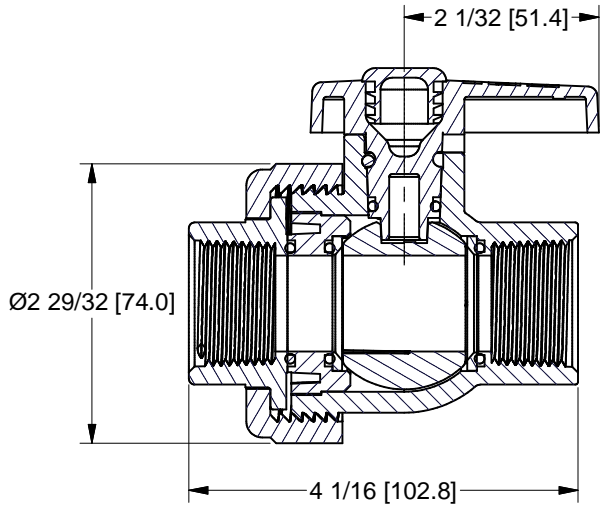
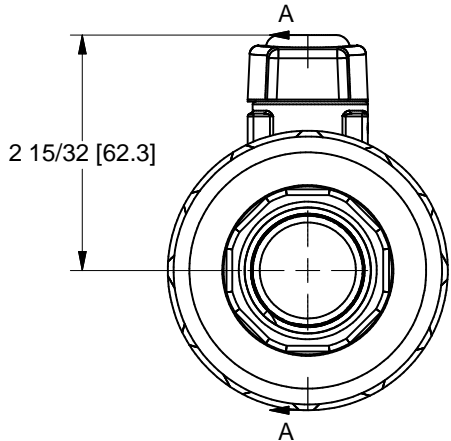
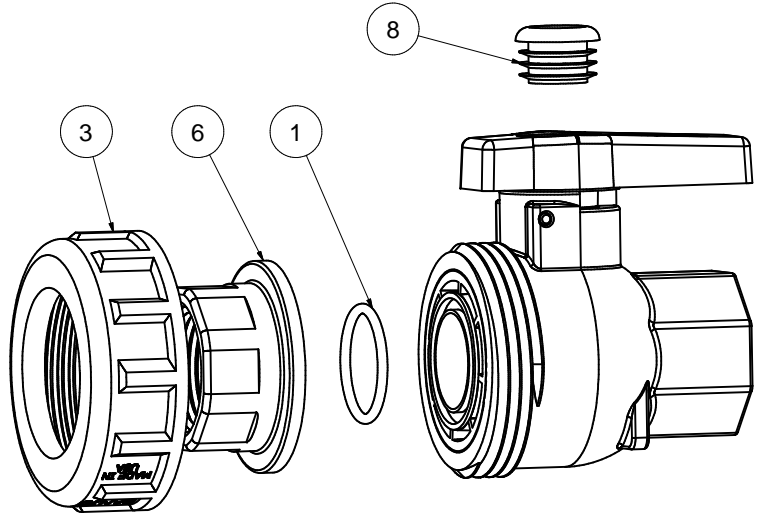
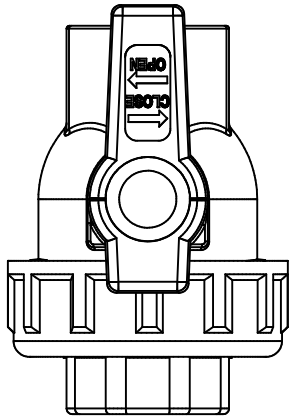


Parts List			
ITEM	QTY	PART NUMBER	DESCRIPTION
1	1	F10E	#121 O'RING
3	1	SUV10150	1" UV Ring
6	1	SUV10256	1" UV Adapter Endplate
8	1	V07353C	7/8" CAPLUG



THIS DRAWING AND ALL INFORMATION CONTAINED THEREON ARE THE EXCLUSIVE PROPERTY OF BANJO CORPORATION.
UNLESS SPECIFICALLY NOTED, THIS DRAWING AND ITEMS SHOWN ON THIS DRAWING ARE SUBJECT TO CHANGE AT ANY TIME.

BANJO CORPORATION
 150 BANJO DRIVE, CRAWFORDSVILLE, IN 47933
 WEB SITE: WWW.BANJOCORP.COM
 E-MAIL: SALES1@BANJOCORP.COM

DESCRIPTION: 1" FULL PORT UNION VALVE
 PART NUMBER: SUV100FP