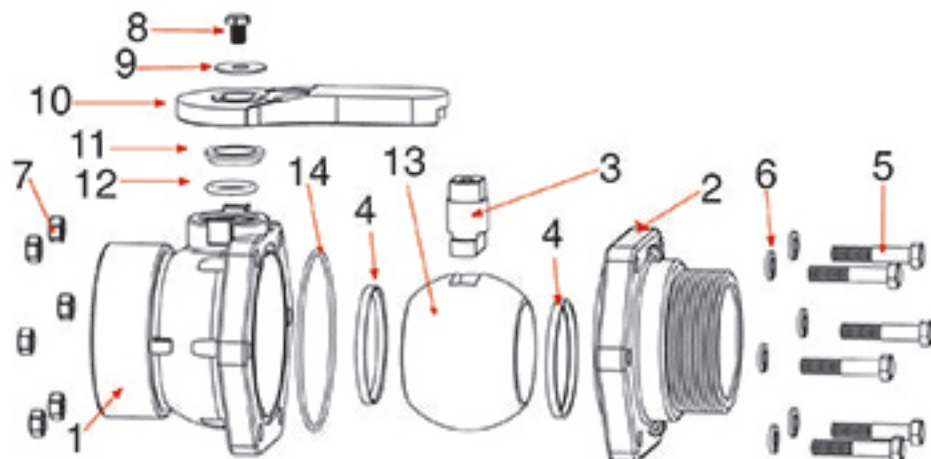
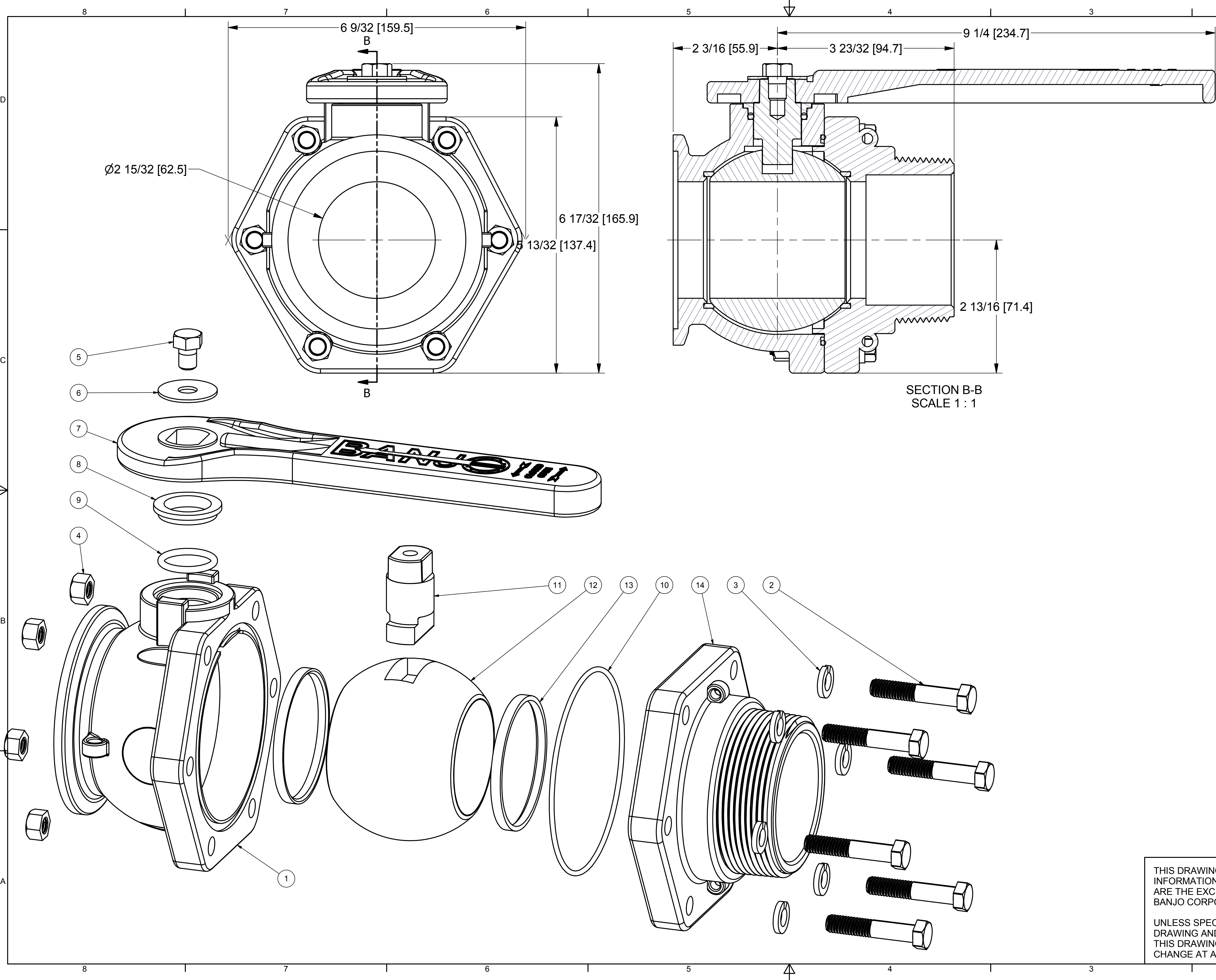


Part Number : MVSMT300




Item	Part No.	Description	Qty.
1	MVS30254	3" Stubby Body w/Manifold Flange	1
2	VSMT30264	3" Stubby Male NPT?End Plate	1
3	VS25151B	Short Stem	1
4	VS30258	3" Stubby Seat	2
5	V20010SS	3/8" - 16 x 2" SS?Bolt	6
6	V20018	3/8" SS Lock Washer	6
7	V20019	3/8" 16 SS Hex Nut	6
8	V25020	3/8" x 1/2" Handle Bolt	1
9	V25121	Handle Washer	1
10	V25153	Handle-Straight	1
11	V25160	Upper Stem Bushing	1
12	V25163	FKM (viton type) Stem O-Ring	1
13	VS30255	3" Ball	1
14	V30265	FKM (viton type) Body O-Ring	1



Parts List			
ITEM	QTY	PART NUMBER	DESCRIPTION
1	1	MVS30254	3" MANIFOLD STUBBY BODY
2	6	V20010SS	3/8-16 X 2" HHCS
3	6	V20018	3/8" LOCKWASHER
4	6	V20019	3/8" HEX NUT
5	1	V25020	3/8" Handle Bolt
6	1	V25121	3/8" Fender Washer
7	1	V25153	2" FP Handle
8	1	V25160	Stem Bushing
9	1	V25163	#214 FKM O'RING
10	1	V30265	#156 FKM O'RING
11	1	VS25151B	2" FP Stubby Stem
12	1	VS30255	3" VALVE BALL
13	2	VS30258	3" Stubby Valve Seat
14	1	VSMT30264	3" MNPT Stubby Endplate

THIS DRAWING AND ALL INFORMATION CONTAINED THEREON ARE THE EXCLUSIVE PROPERTY OF BANJO CORPORATION.

UNLESS SPECIFICALLY NOTED, THIS DRAWING AND ITEMS SHOWN ON THIS DRAWING ARE SUBJECT TO CHANGE AT ANY TIME.



BANJO CORPORATION
 150 BANJO DRIVE, CRAWFORDSVILLE, IN 47933
 WEB SITE: WWW.BANJOCORP.COM
 E-MAIL: SALES1@BANJOCORP.COM

DESCRIPTION
Stubby Valve, 3" Manifold X 3" MNPT, Long Handle

PART NUMBER
MVSMT300