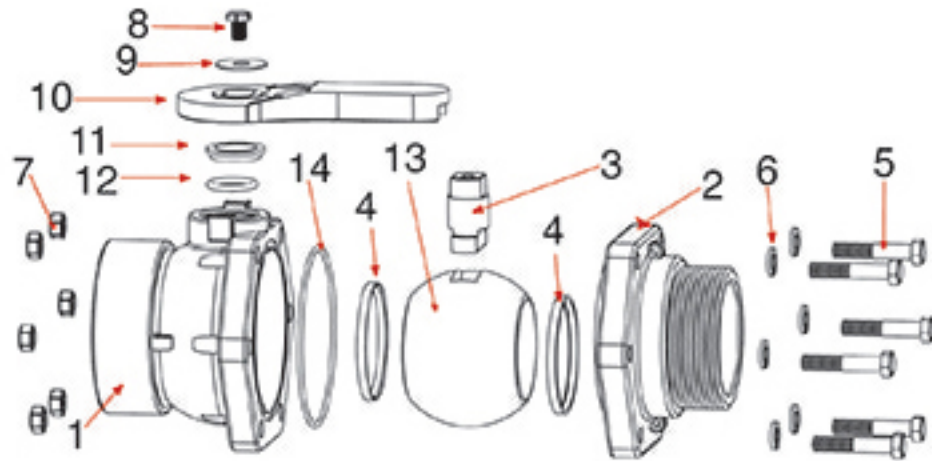
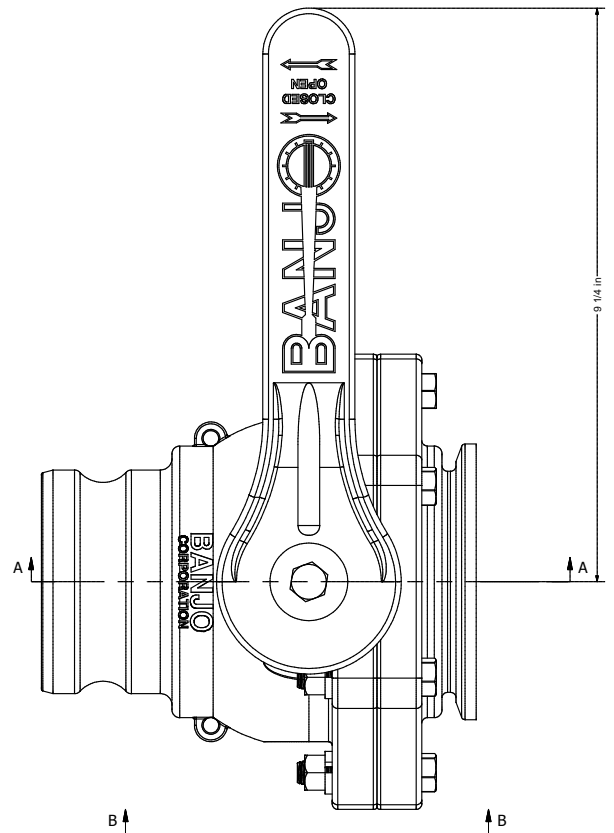
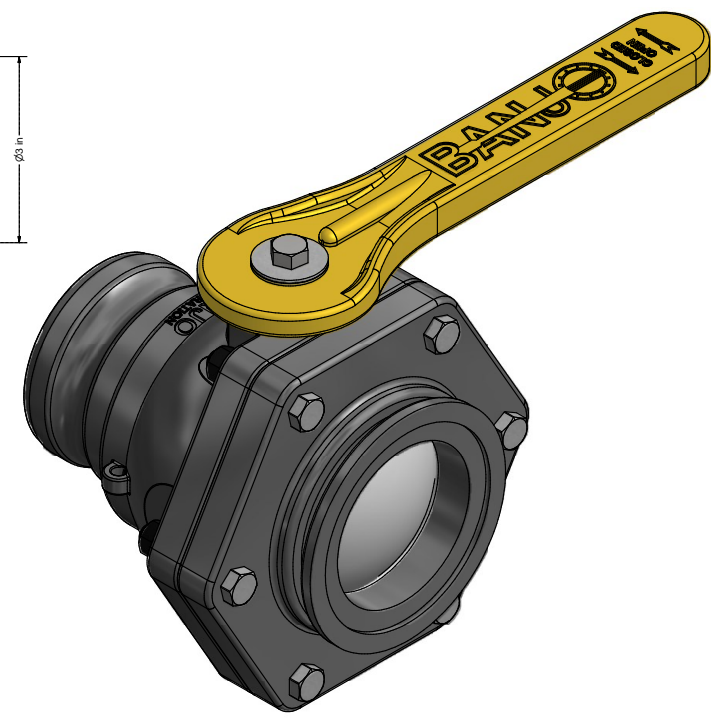
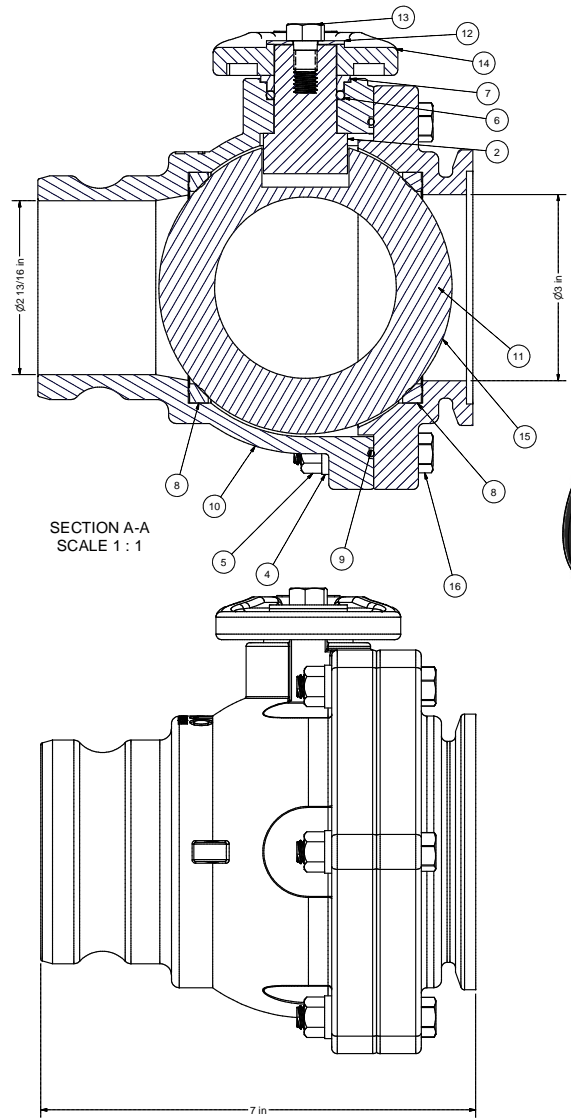


**Part Number : MVSF300FP**



Item	Part No.	Description	Qty.
1	VSF35254	3" FP Stubby Body	1
2	VS35278	3" FP Stubby End Plate	1
3	VS25151B	Short Stem	1
4	VS35258	3" Stubby Seat	2
5	V20010SS	3/8" - 16 x 2" SS Bolt	6
6	V20018	3/8" SS Lock Washer	6
7	V20019	3/8" 16 SS Hex Nut	6
8	V25020	3/8" x 1/2" Handle Bolt	1
9	V25121	Handle Washer	1
10	V25153	Handle-Straight	1
11	V25160	Upper Stem Bushing	1
12	V25163	FKM (viton type) Stem O-Ring	1
13	V35255A	3" Ball	1
14	V35265	FKM (viton type) Body O-Ring	1

Parts List			
ITEM	QTY	PART NUMBER	DESCRIPTION
2	1	V30151B	3" Stubby Stem
4	6	V20018	3/8" LOCKWASHER
5	6	V20019	3/8" HEX NUT
6	1	V25163	#214 FKM O-RING
7	1	V25160	Stem Bushing
8	2	VS35258	3" FP Stubby Valve Seat
9	1	V35265	3" FP body O-ring FKM
10	1	VSF35254	3" FP Stubby F Body
11	1	VS35278	3" FP Stubby Manifold Endplate
12	1	V25121	3/8" Fender Washer
13	1	V25020	3/8" Handle Bolt
14	1	V25153	2" FP Handle
15	1	V35256A	3" Full Port Ball
16	6	V20016SS	3/8-16 X 2" HHCS



THIS DRAWING AND ALL INFORMATION CONTAINED THEREON ARE THE EXCLUSIVE PROPERTY OF BANJO CORPORATION.

UNLESS SPECIFICALLY NOTED, THIS DRAWING AND ITEMS SHOWN ON THIS DRAWING ARE SUBJECT TO CHANGE AT ANY TIME.

**BANJO CORPORATION**  
 150 BANJO DRIVE, CRAWFORDSVILLE, IN 47933  
 WEB SITE: WWW.BANJOCORP.COM  
 E-MAIL: SALES1@BANJOCORP.COM

DESCRIPTION:  
**3" Male Adapter x 3" Manifold Flange Stubby Valve**

PART NUMBER  
**MVSF300FP**