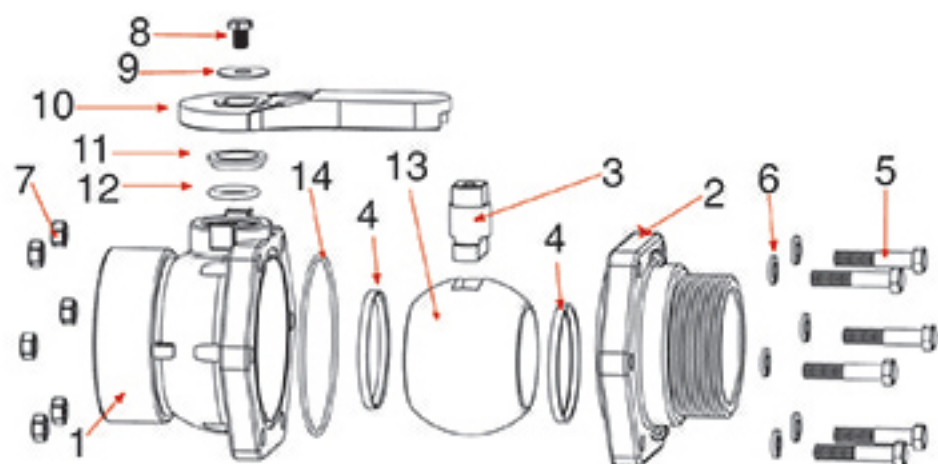
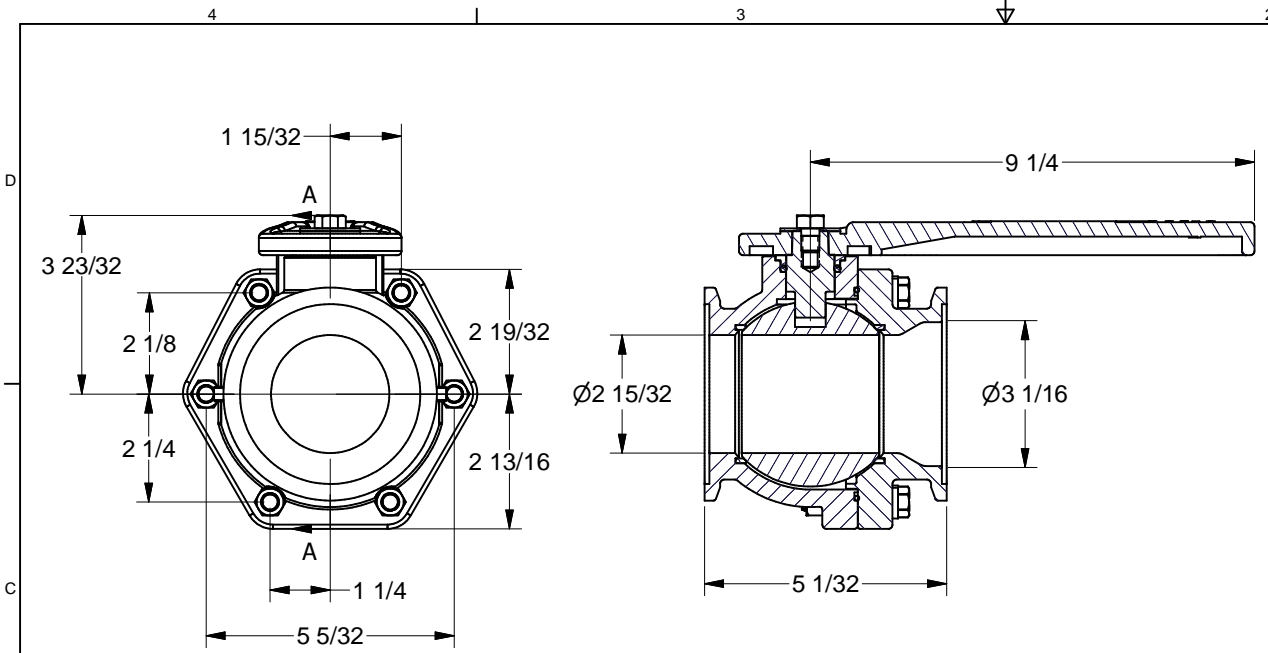


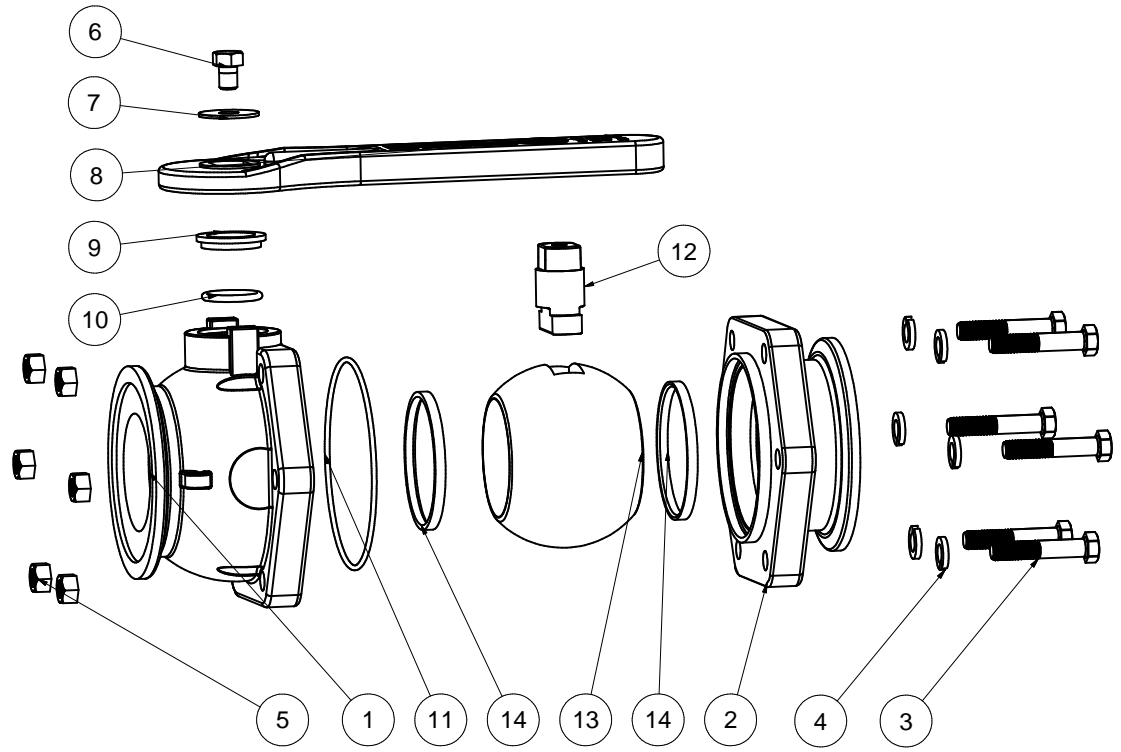
Part Number : MVS300CF



Item	Part No.	Description	Qty.
9	V25121	Handle Washer	1
10	V25153	Handle-Straight	1
11	V25160	Upper Stem Bushing	1
12	V25163	FKM (viton type) Stem O-Ring	1
13	VS30255	3" Ball	1
14	V30265	FKM (viton type) Body O-Ring	1
1	MVS30254	3" Stubby Body w/Manifold Flange	1
2	VS30278	3" Stubby End Plate	1
3	VS25151B	Short Stem	1
4	VS30258	3" Stubby Seat	2
5	V20010SS	3/8" - 16 x 2" SS Bolt	6
6	V20018	3/8" SS Lock Washer	6
7	V20019	3/8" 16 SS Hex Nut	6
8	V25020	3/8" x 1/2" Handle Bolt	1




Parts List			
ITEM	QTY	PART NUMBER	DESCRIPTION
1	1	MVS30254	3" MANIFOLD STUBBY BODY
2	1	VS30278	3" Std Port Manifold Endplate
3	6	V20010SS	3/8-16 X 2" HHCS
4	6	V20018	3/8" LOCKWASHER
5	6	V20019	3/8" HEX NUT
6	1	V25020	3/8" Handle Bolt
7	1	V25121	3/8" Fender Washer
8	1	V25153	2" FP Handle
9	1	V25160	Stem Bushing
10	1	V25163	#214 FKM O-RING
11	1	V30265	#156 FKM O-RING
12	1	VS25151B	2" FP Stubby Stem
13	1	VS30255	3" VALVE BALL
14	2	VS30258	3" Stubby Valve Seat



THIS DRAWING AND ALL INFORMATION CONTAINED THEREON ARE THE EXCLUSIVE PROPERTY OF BANJO CORPORATION.

UNLESS SPECIFICALLY NOTED, THIS DRAWING AND ITEMS SHOWN ON THIS DRAWING ARE SUBJECT TO CHANGE AT ANY TIME.



BANJO CORPORATION

150 BANJO DRIVE, CRAWFORDSVILLE, IN 47933
 WEB SITE: WWW.BANJOCORP.COM
 E-MAIL: BANJOSALES@IDEXCORP.COM

DESCRIPTION	3" STUBBY MANIFOLD VALVE
PART NUMBER	MVS300CF

