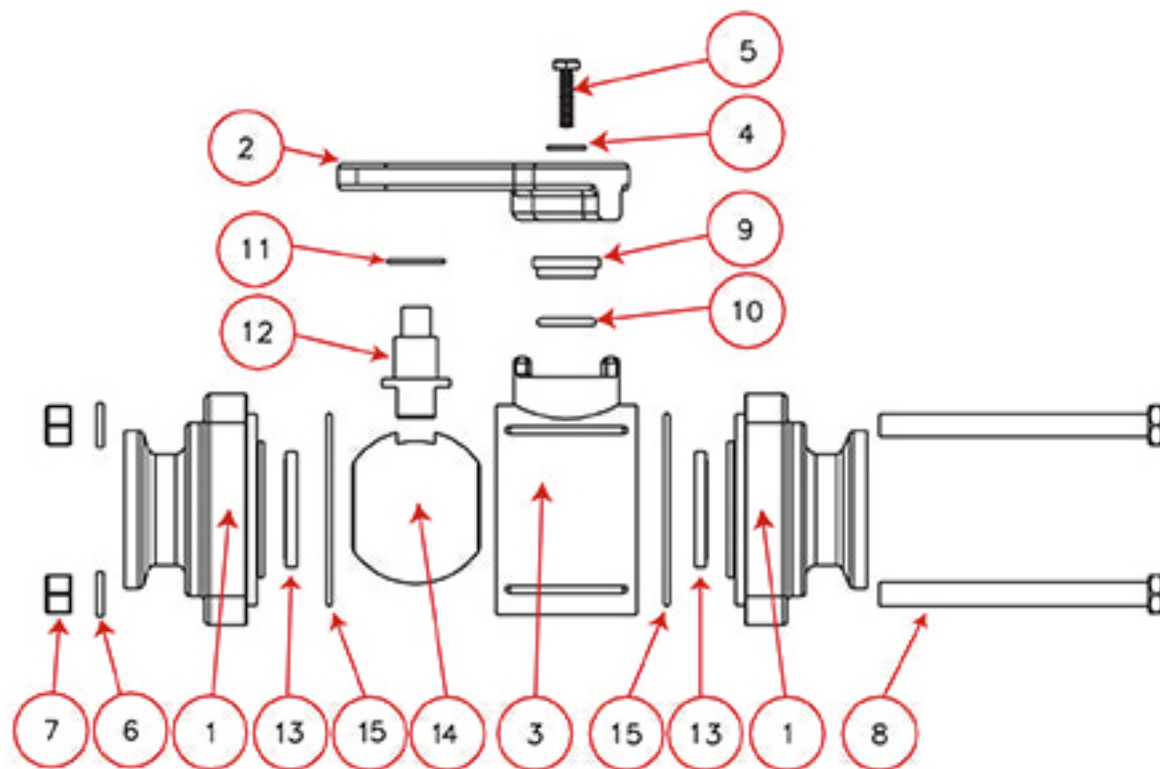
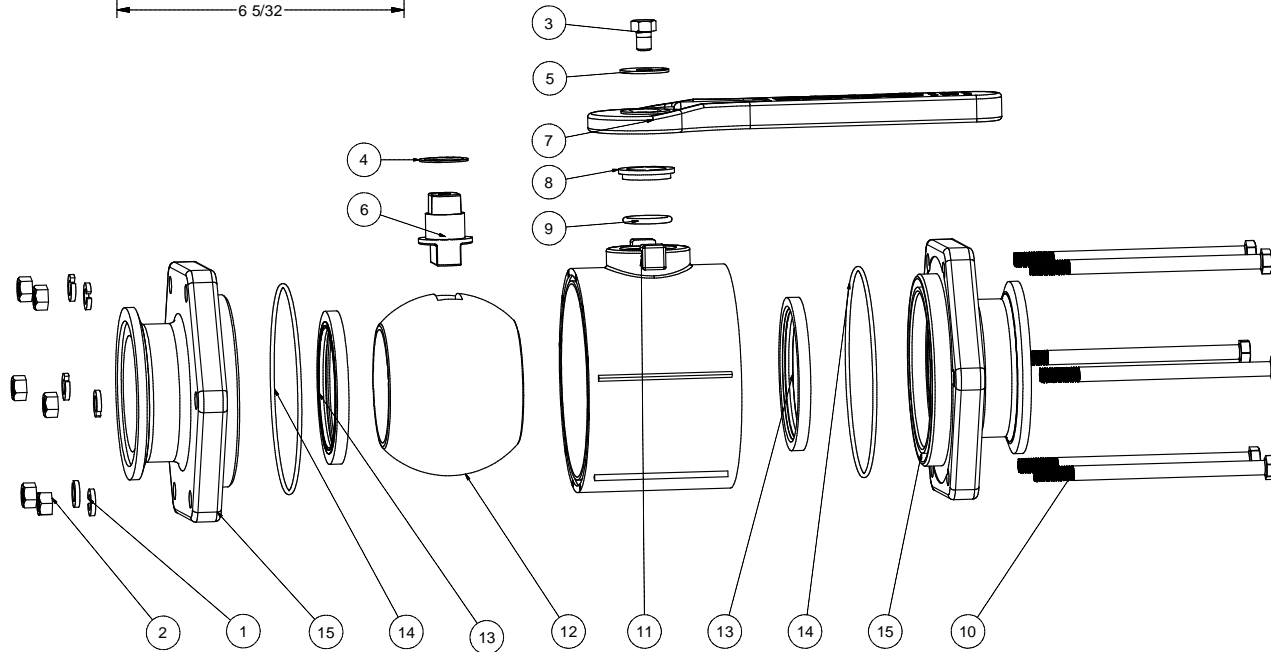
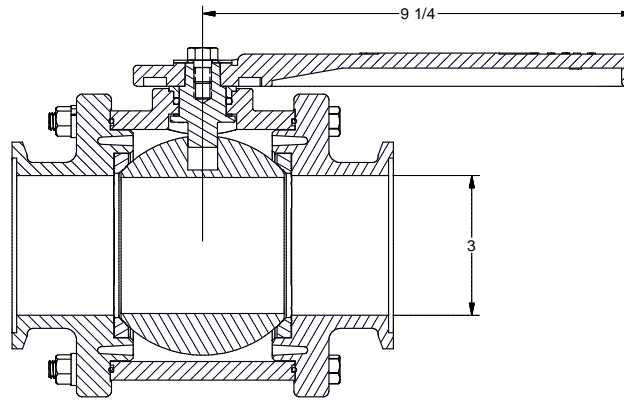
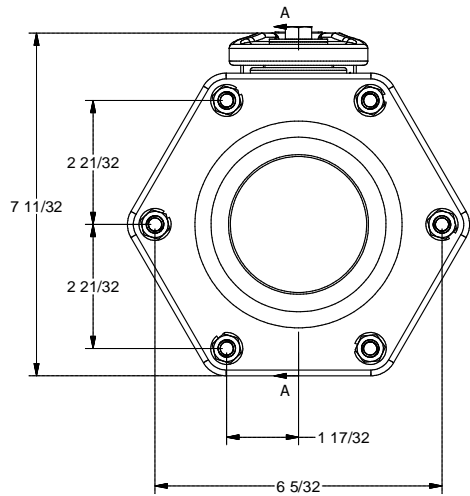


Part Number : MV300CF



Item	Part No.	Description	Qty.
1	V35278	3" Full Port Manifold End Plate	2
2	V25153	Handle	1
3	V35254	Body	1
4	V25121	S.S. Handle Washer	1
5	V25020	3/8" x 1/2" S.S. Handle Bolt	1
6	V20018	3/8" S.S. Lock Washer	6
7	V20019	3/8" S.S. Nut	6
8	V35017	3/8" x 6" S.S. Body Bolt	6
9	V25160*	Upper Stem Bushing	1
10	V25163*	FKM (viton type) Stem O-Ring	1
11	V25060*	Thrust Washer	1
12	V25151B	Stem	1
13	V35258A*	Ball Seat	2
14	V35255A*	Ball	1
15	V35265*	FKM (viton type) Body O-Ring	2



Parts List			
ITEM	QTY	PART NUMBER	DESCRIPTION
1	6	V20018	3/8" LOCKWASHER
2	6	V20019	3/8" HEX NUT
3	1	V25020	3/8" Handle Bolt
4	1	V25060	VALVE STEM THRUST BEARING
5	1	V25121	3/8" Fender Washer
6	1	V25151B	2" FP Stem
7	1	V25153	2" FP Handle
8	1	V25160	Stem Bushing
9	1	V25163	#214 FKM O'RING
10	6	V35017	3/8"-16 x 6" HHCS, 18-8SS
11	1	V35254	3" FP VALVE BODY
12	1	V35255A	3" Full Port Ball
13	2	V35258A	3" FP Ball Seat
14	2	V35265	3" FP body O-ring FKM
15	2	V35278	3" FP MANIFOLD END PLATE



BANJO CORPORATION
 150 BANJO DRIVE, CRAWFORDSVILLE, IN 47933
 WEB SITE: WWW.BANJOCORP.COM
 E-MAIL: BANJO.SALES@IDEXCORP.COM

THIS DRAWING AND ALL INFORMATION CONTAINED THEREON ARE THE EXCLUSIVE PROPERTY OF BANJO CORPORATION.

UNLESS SPECIFICALLY NOTED, THIS DRAWING AND ITEMS SHOWN ON THIS DRAWING ARE SUBJECT TO CHANGE AT ANY TIME.

DESCRIPTION
3" FP MANIFOLD VALVE

PART NUMBER
MV300CF