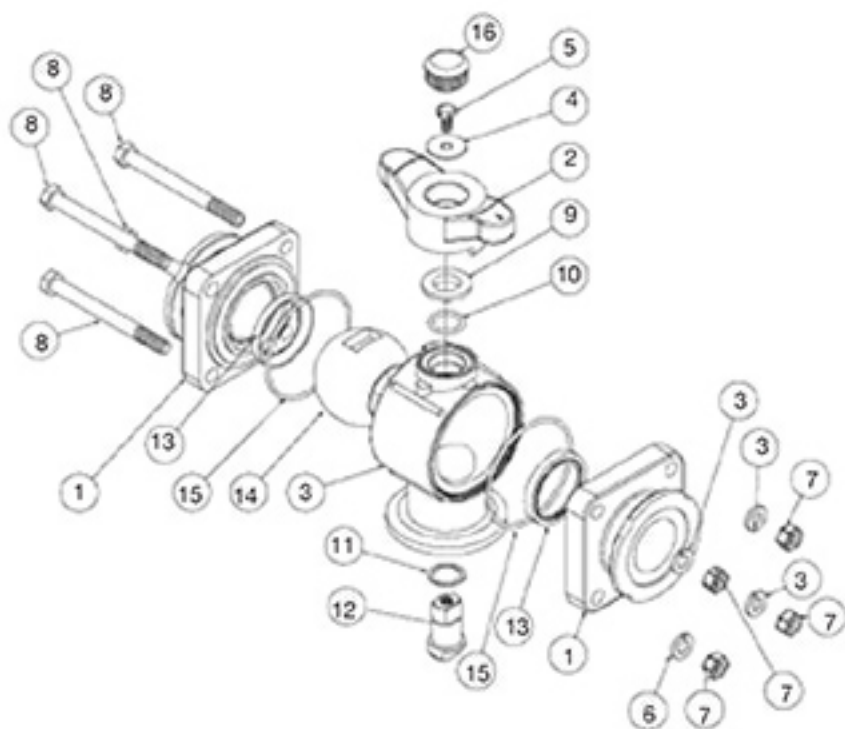
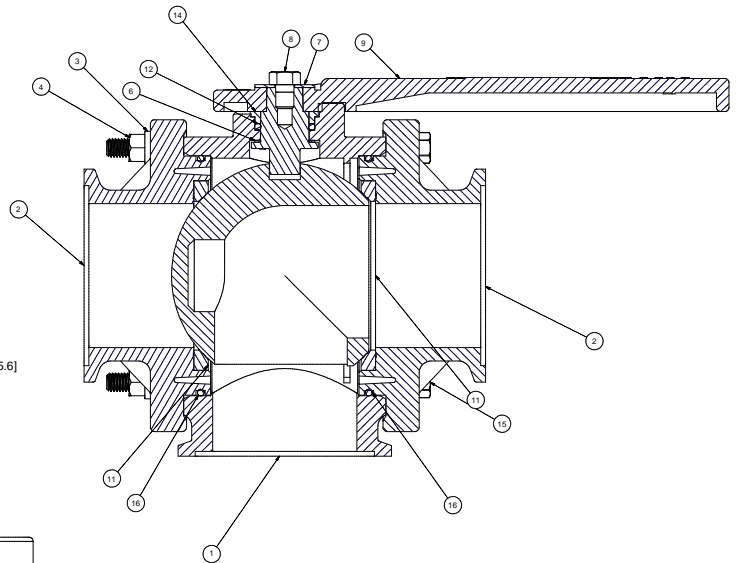
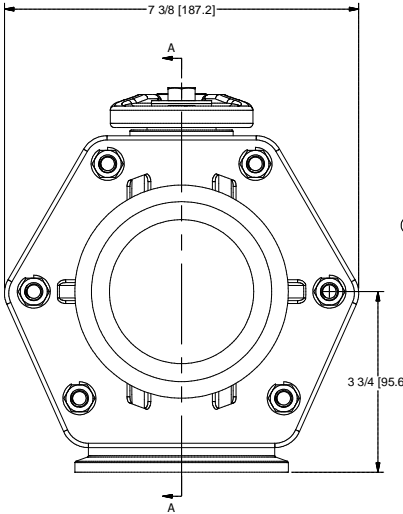
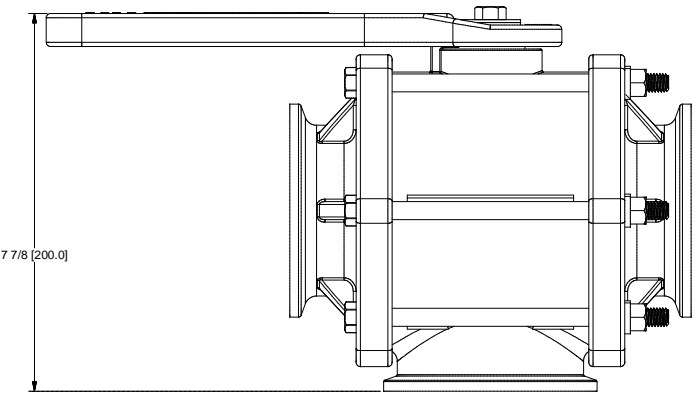
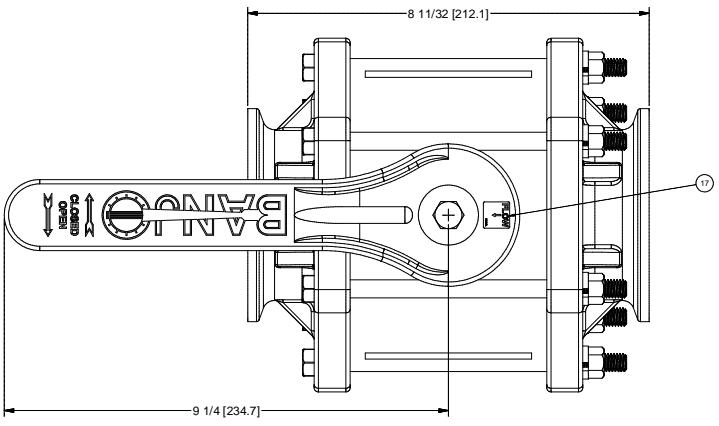


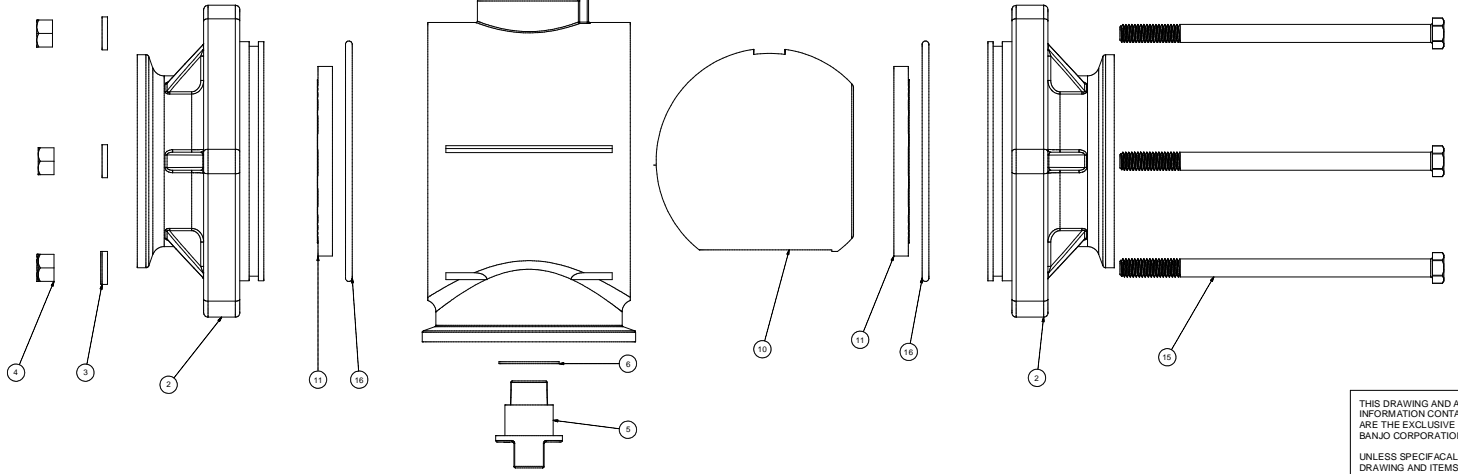
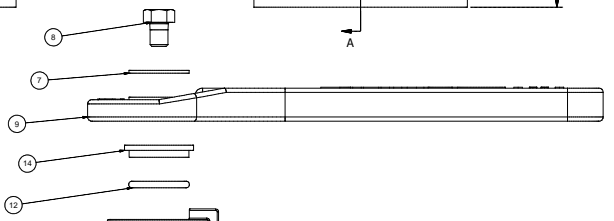
## Part Number : MV300BL



| Item | Part No.  | Description                  | Qty. |
|------|-----------|------------------------------|------|
| 1    | MV35278   | 3" Manifold End Plate        | 2    |
| 2    | V25353B   | Straight Handle              | 1    |
| 3    | MV35254BL | 3" Full Port Manifold Body   | 1    |
| 4    | V25121    | Handle Washer                | 1    |
| 5    | V25020    | Handle Bolt                  | 1    |
| 6    | V20018    | Lock Washer                  | 6    |
| 7    | V20019    | 3/8" 16 SS Hex Nut           | 6    |
| 8    | V35018    | Body Bolt                    | 6    |
| 9    | V25160    | Upper Stem Bushing           | 1    |
| 10   | V25163    | FKM?(viton type) Stem O-Ring | 1    |
| 11   | V25060    | Thrust Bushing               | 1    |
| 12   | V25151B   | Stem                         | 1    |
| 13   | V35258A   | Seat                         | 2    |
| 14   | V35255BL  | Bottom Load Ball             | 1    |
| 15   | V35264BL  | Body O-Ring                  | 2    |



SECTION A-A  
SCALE 1:1



| Parts List |     |             |                               |
|------------|-----|-------------|-------------------------------|
| ITEM       | QTY | PART NUMBER | DESCRIPTION                   |
| 1          | 1   | MV35254BL   | 3" FP Body, BL                |
| 2          | 2   | MV35278     | 3" FP Manifold Endplate       |
| 3          | 6   | V20018      | 3/8" LOCKWASHER               |
| 4          | 6   | V20019      | 3/8" HEX NUT                  |
| 5          | 1   | V25151B     | 2" FP Stem                    |
| 6          | 1   | V25060      | VALVE STEM THRUST BEARING     |
| 7          | 1   | V25121      | 3/8" Fender Washer            |
| 8          | 1   | V25020      | 3/8" Handle Bolt              |
| 9          | 1   | V25353B     | 2" FP BL Handle               |
| 10         | 1   | V35255BLM   | 3" FP BL Ball                 |
| 11         | 2   | V35258A     | 3" FP Ball Seat               |
| 12         | 1   | V25163      | #214 FKM O'RING               |
| 14         | 1   | V25160      | Stem Bushing                  |
| 15         | 6   | V35018      | 3/8" - 16 x 6.5" HHCS, 18-8SS |
| 16         | 2   | V35264BL    | #248 FKM O'RING               |
| 17         | 1   | VL200BL     | Bottom Load Flow Label        |

THIS DRAWING AND ALL INFORMATION CONTAINED THEREON ARE THE EXCLUSIVE PROPERTY OF BANJO CORPORATION.  
UNLESS SPECIFICALLY NOTED, THIS DRAWING AND ITEMS SHOWN ON THIS DRAWING ARE SUBJECT TO CHANGE AT ANY TIME.

**BANJO CORPORATION**  
150 BANJO DRIVE, CRAWFORDSVILLE, IN 47933  
WEB SITE: WWW.BANJOCORP.COM  
E-MAIL: SALES1@BANJOCORP.COM

DESCRIPTION:  
**3" FP BL Manifold Valve**

PART NUMBER:  
**MV300BL**