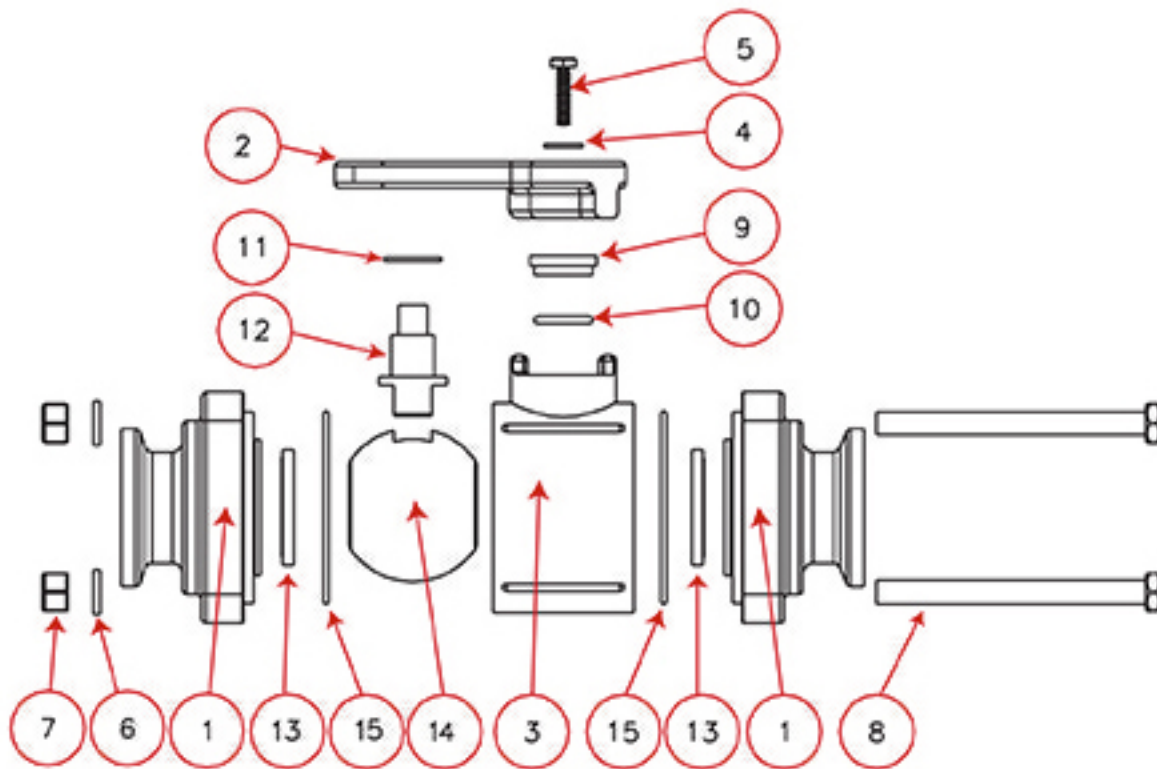
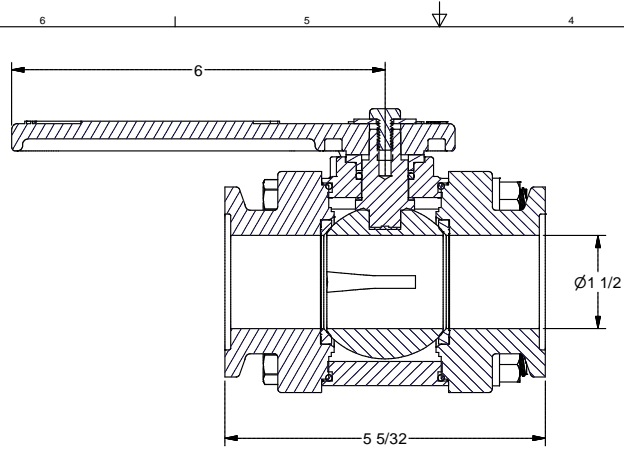
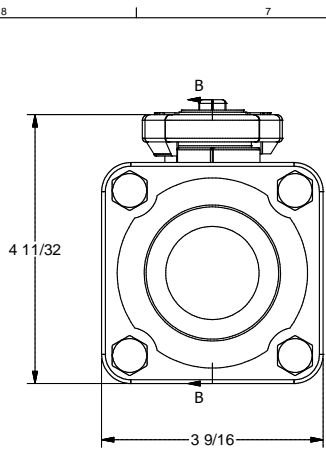


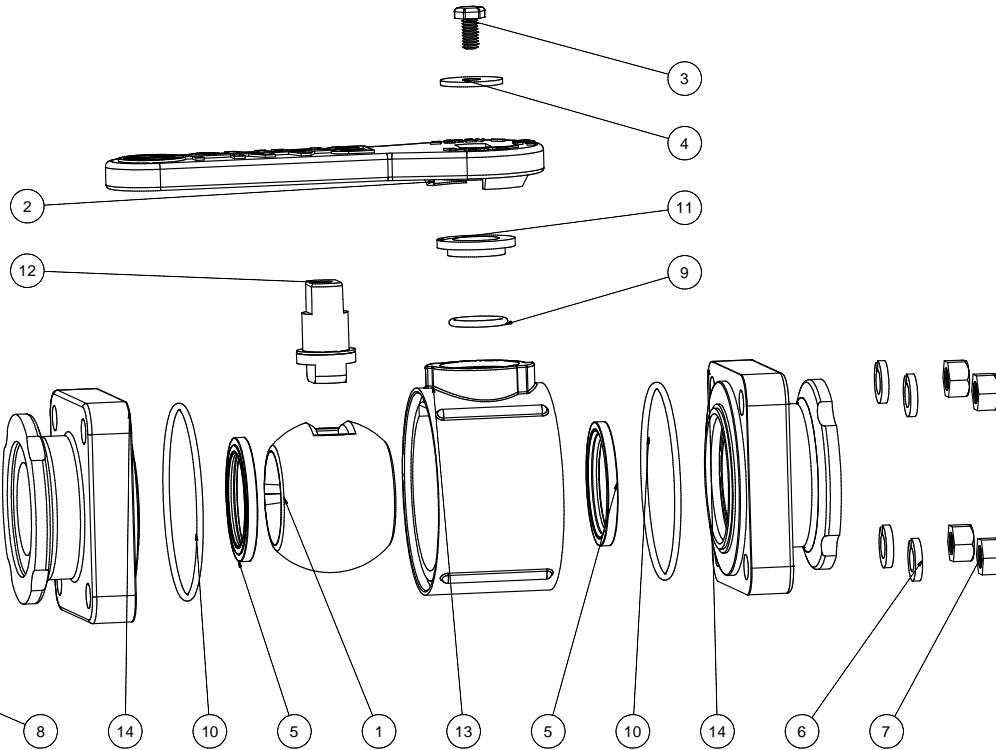
Part Number : MV200CF



Item	Part No.	Description	Qty.
1	V20294	2" Manifold End Plate	2
2	V20153	Handle	1
3	V20254	Body	1
4	V20021	S.S. Handle Washer	1
5	V20020	1/4" x 1/2" S.S. Handle Bolt	4
6	V10118	3/8" S.S. Lock Washer	4
7	V10119	3/8" S.S. Nut	4
8	V10117	3/8" x 4 1/2" S.S. Body Bolt	1
9	V20159*	Upper Stem Bushing	1
10	V20163*	FKM (viton type) Stem O-Ring	1
11	V20060*	Thrust Washer	1
12	V20151M	Stem	1
13	V20258A*	Ball Seat	2
14	V20255A*	Ball	1
15	V20264*	FKM (viton type) Body O-Ring	2



Parts List			
ITEM	QTY	PART NUMBER	DESCRIPTION
1	1	V20255A	2" Valve Ball
2	1	V20153	HANDLE
3	1	V20020	2" handle Bolt
4	1	V20021	Handle Washer
5	2	V20258A	3" FP Ball Seat
6	4	V20018	3/8" LOCKWASHER
7	4	V20019	3/8" HEX NUT
8	4	V20017	3/8-16 X 4" HHCS
9	1	V20163	#116 O'RING, FKM
10	2	V20264	#151 O'RING, FKM
11	1	V20159	2" STEM BUSHING
12	1	V20151M	VALVE STEM W/ BEARING
13	1	V20254	2" VALVE BODY
14	2	V20294	2" FLANGE END PLATE



THIS DRAWING AND ALL INFORMATION CONTAINED THEREON ARE THE EXCLUSIVE PROPERTY OF BANJO CORPORATION.
UNLESS SPECIFICALLY NOTED, THIS DRAWING AND ITEMS SHOWN ON THIS DRAWING ARE SUBJECT TO CHANGE AT ANY TIME.

BANJO CORPORATION
150 BANJO DRIVE, CRAWFORDSVILLE, IN 47933
WEB SITE: WWW.BANJOCORP.COM
E-MAIL: BANJO.SALES@IDEXCORP.COM

DESCRIPTION
2" MANIFOLD BALL VALVE

PART NUMBER
MV200CF