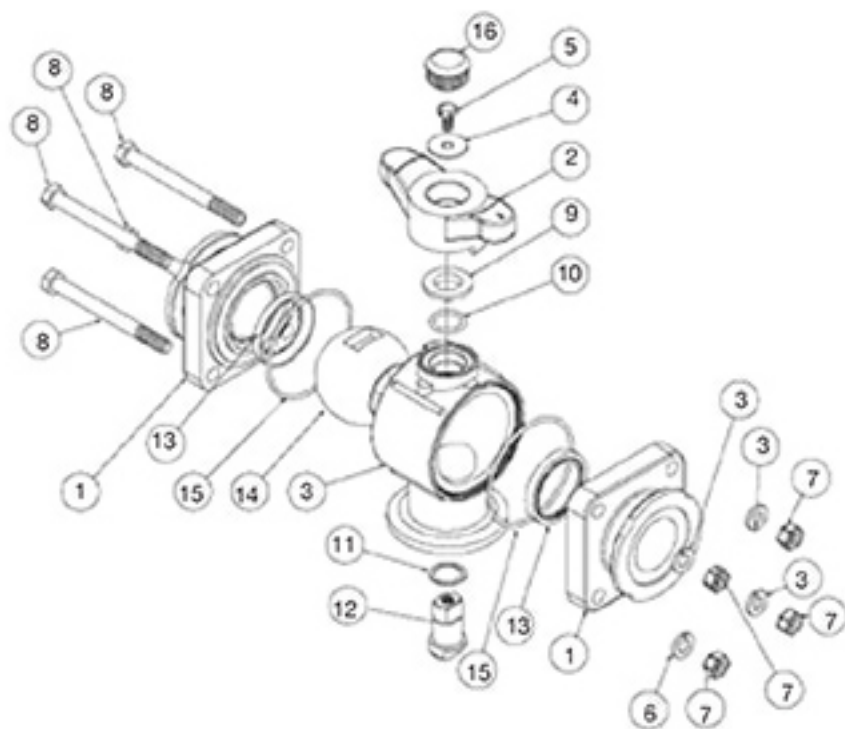
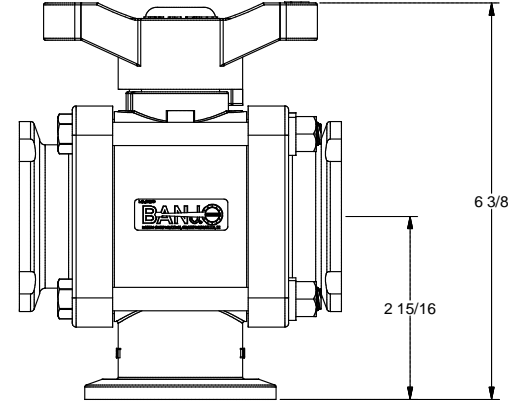
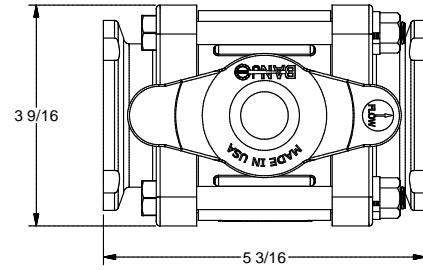


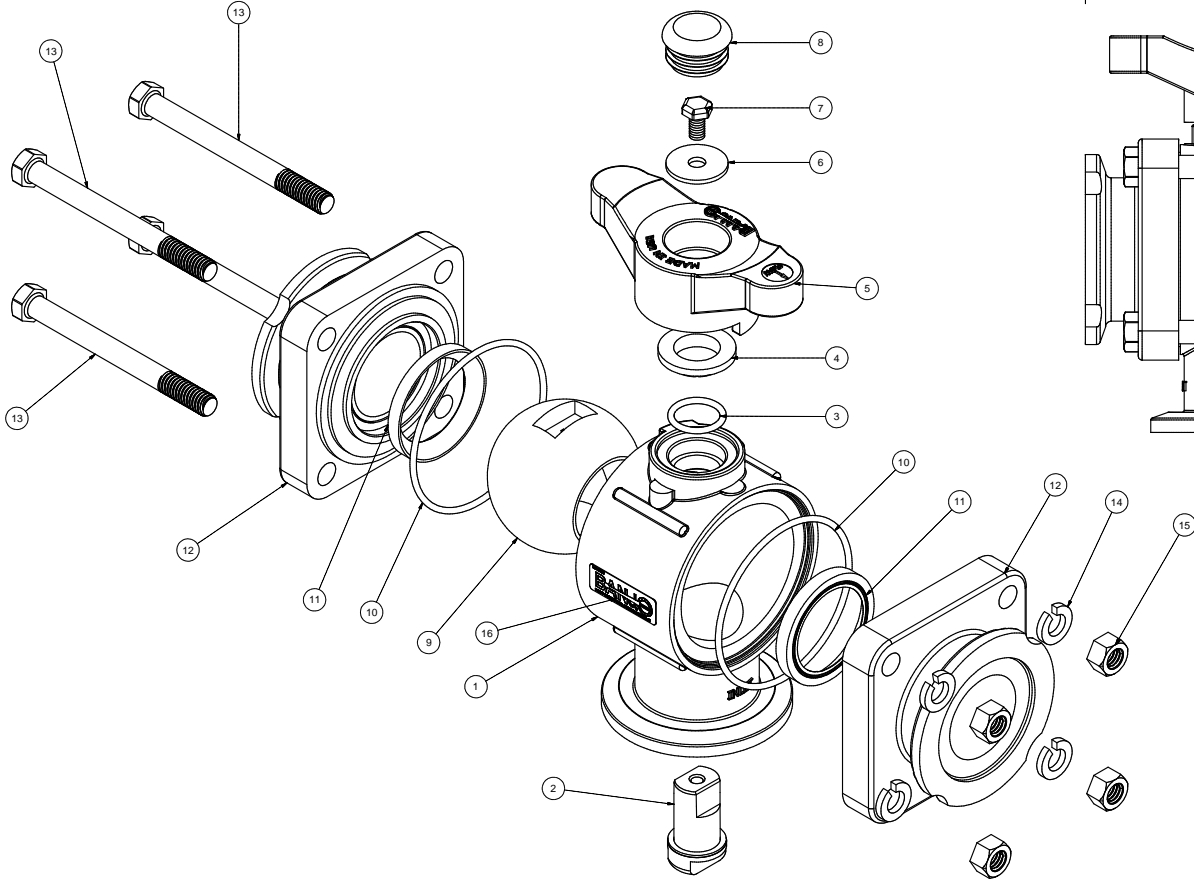
Part Number : MV200BL



Item	Part No.	Description	Qty.
15	VE20264	Body O-Ring	2
16	V20353C	Handle Cap	1
1	V20394	2" Manifold End Plate	2
2	V20353TB	T Handle	1
3	MV20354B	2" Manifold Body	1
4	V20021	Handle Washer	1
5	V20020	Handle Bolt	1
6	V20018	Lock Washer	4
7	V20019	3/8" 16 SS Hex Nut	4
8	V20017	Body Bolt	4
9	V20159	Upper Stem Bushing	1
10	V20163	FKM?(viton type) Stem O-Ring	1
11	V20060	Thrust Bushing	1
12	V20151M	Stem	1
13	VE20258A	Seat	2
14	V20355B	Bottom Load Ball	1



Parts List			
ITEM	QTY	PART NUMBER	DESCRIPTION
1	1	MV20354B	2" BL Manifold Body, Machined
2	1	V20151M	VALVE STEM W/ BEARING
3	1	V20163	#116 O'RING, FKM
4	1	V20159	2" STEM BUSHING
5	1	V20353TB	2" BOTTOM LOAD T-HANDLE
6	1	V20021	Handle Washer
7	1	V20020	2" handle Bolt
8	1	V20353C	1 1/8" CAPLUG
9	1	V20355B	2" 3-Way BL Ball
10	2	VE20264	2-150 O'RING, FKM
11	2	VE20258A	2" VE Seat TFM
12	2	V20394	2" Manifold SL/BL Endplate
13	4	V20017	3/8-16 X 4" HHCS
14	4	V20018	3/8" LOCKWASHER
15	4	V20019	3/8" HEX NUT
16	1	050DECAL	Banjo Logo Decal



THIS DRAWING AND ALL INFORMATION CONTAINED THEREON ARE THE EXCLUSIVE PROPERTY OF BANJO CORPORATION. UNLESS SPECIFICALLY NOTED, THIS DRAWING AND ITEMS SHOWN ON THIS DRAWING ARE SUBJECT TO CHANGE AT ANY TIME.

BANJO CORPORATION
 150 BANJO DRIVE, CRAWFORDSVILLE, IN 47933
 WEB SITE: WWW.BANJOCORP.COM
 E-MAIL: BANJOSALES@IDEXCORP.COM

DESCRIPTION
 2" BL Manifold 3 Way Valve

PART NUMBER
 MV200BL