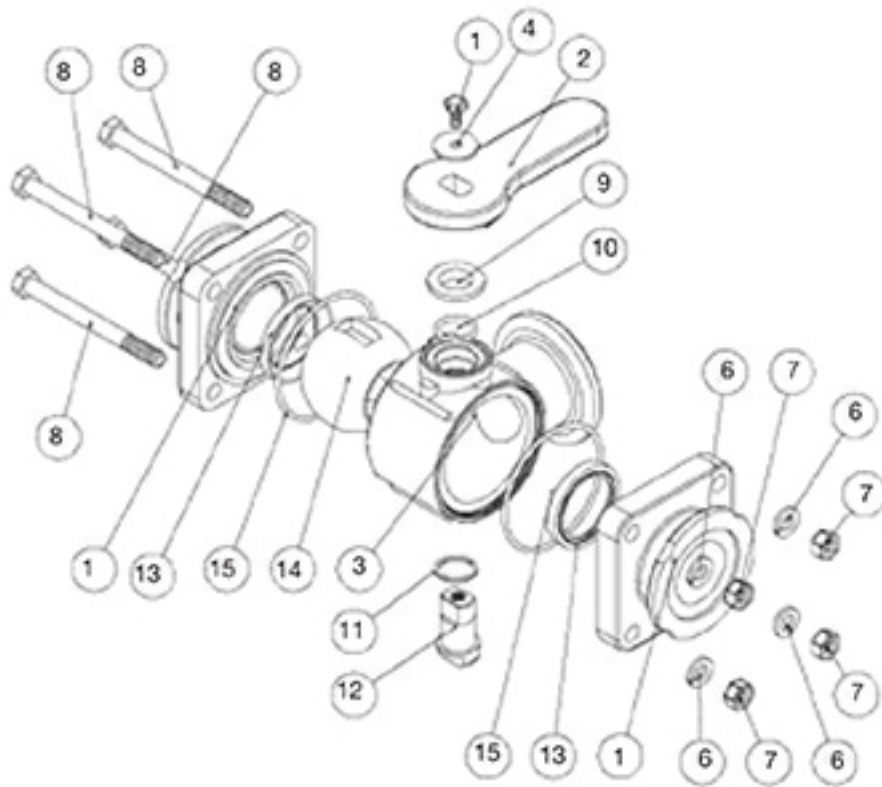
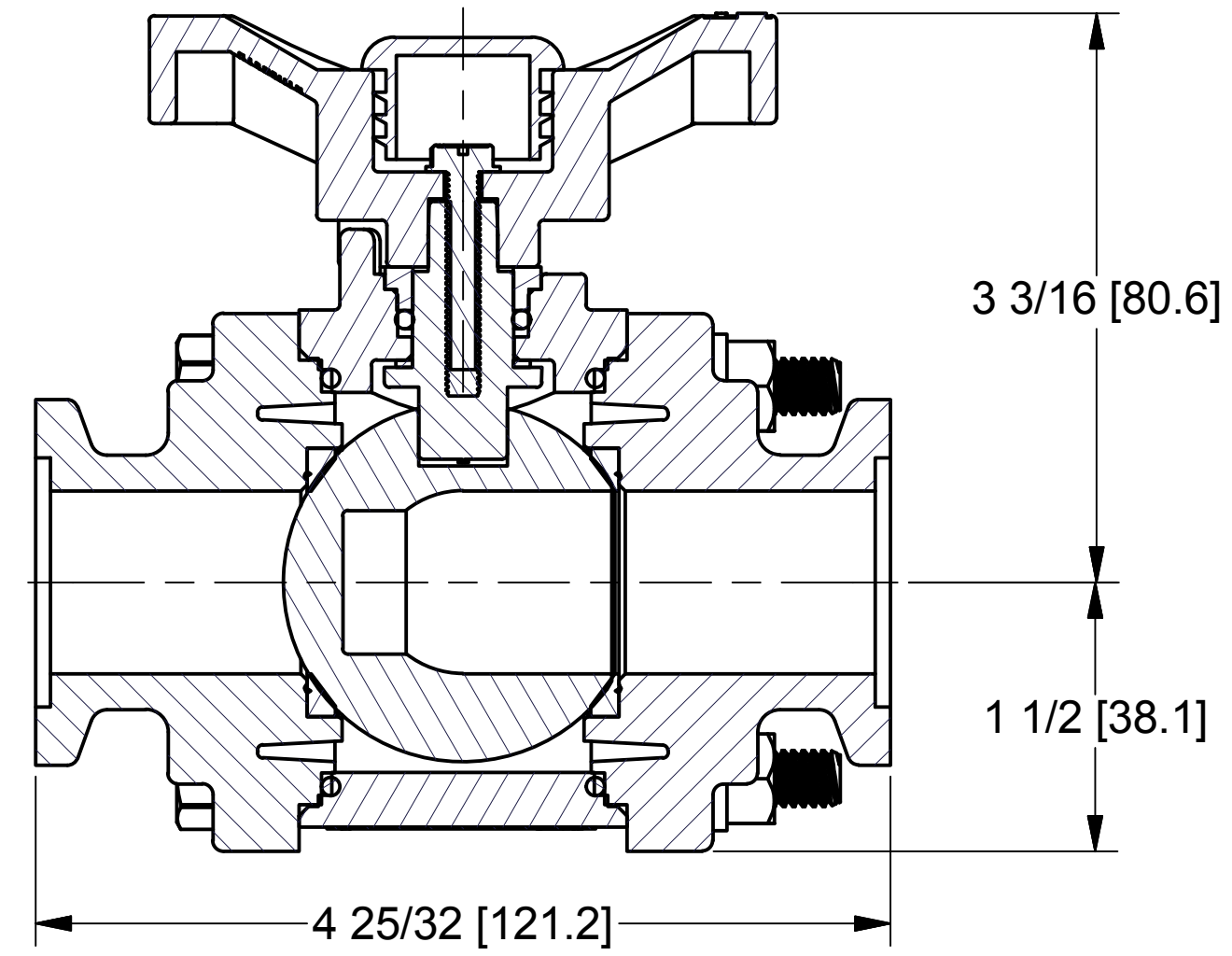
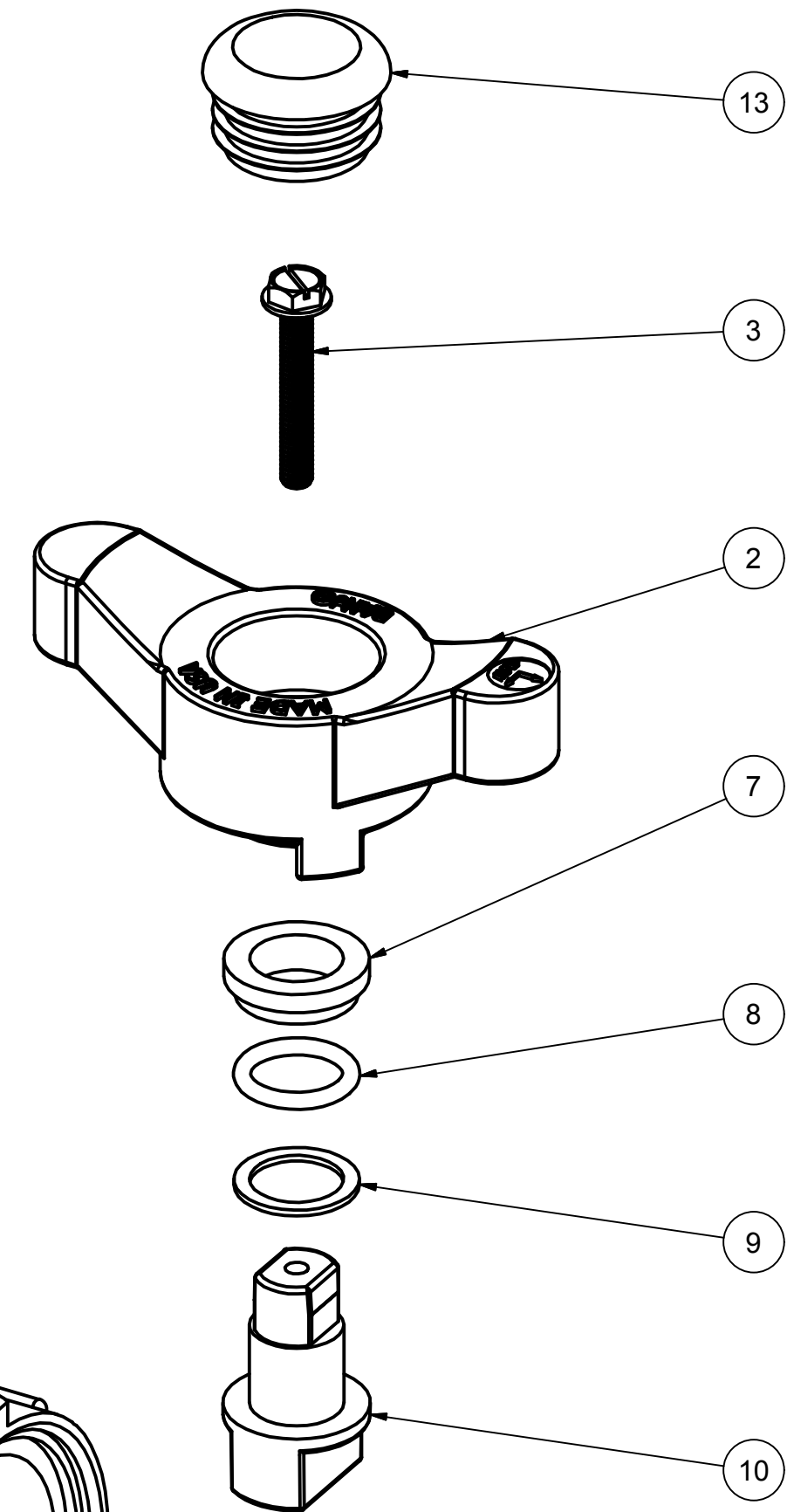
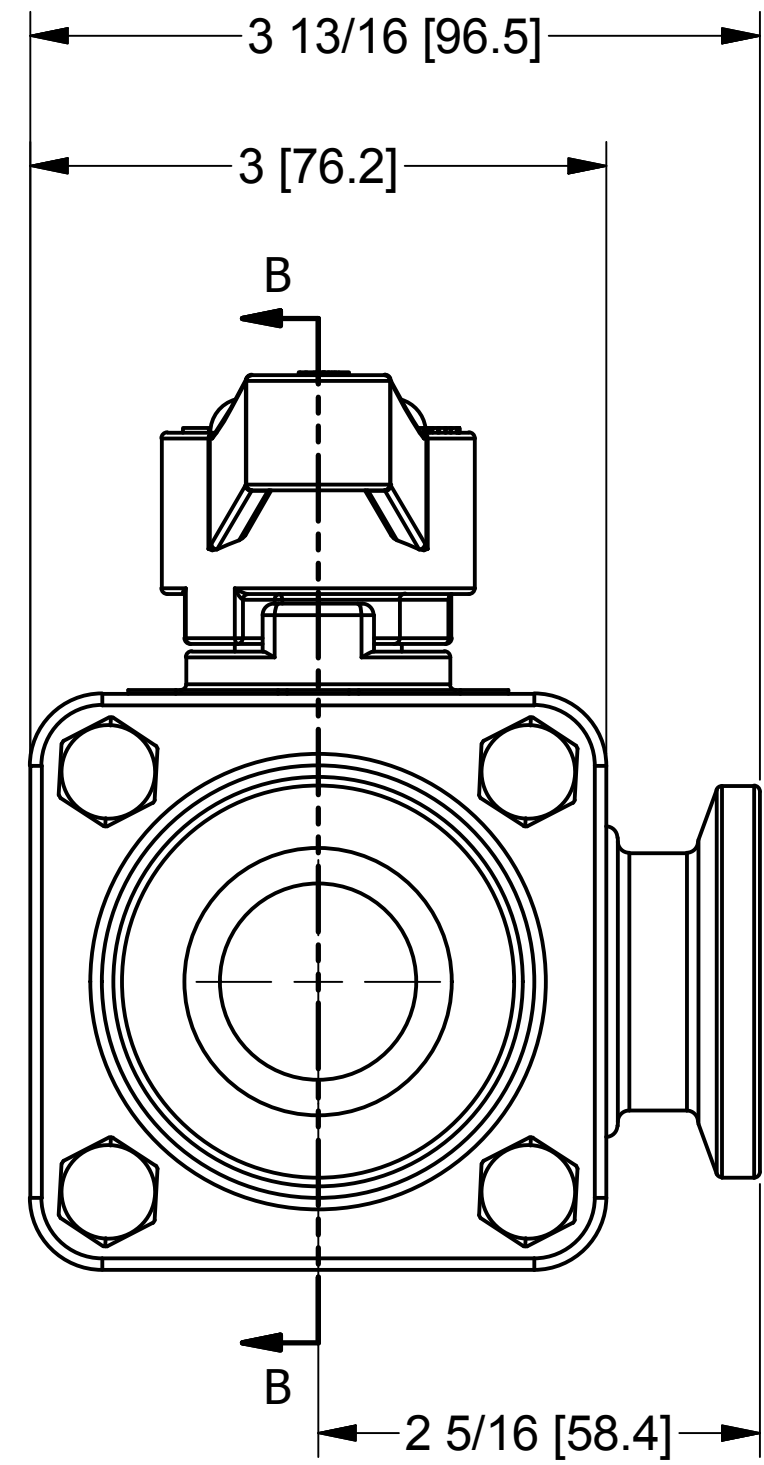


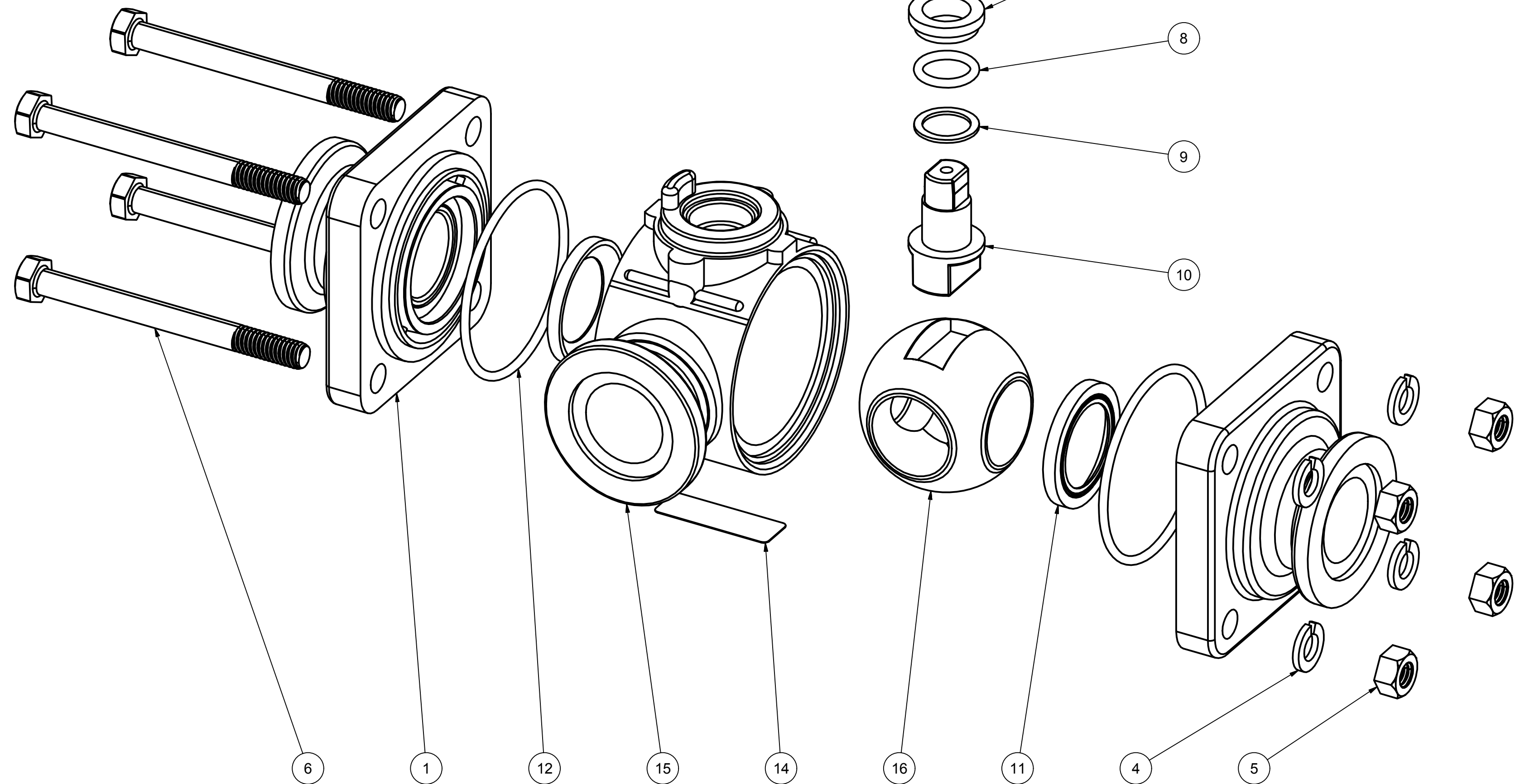
Part Number : MV100SL



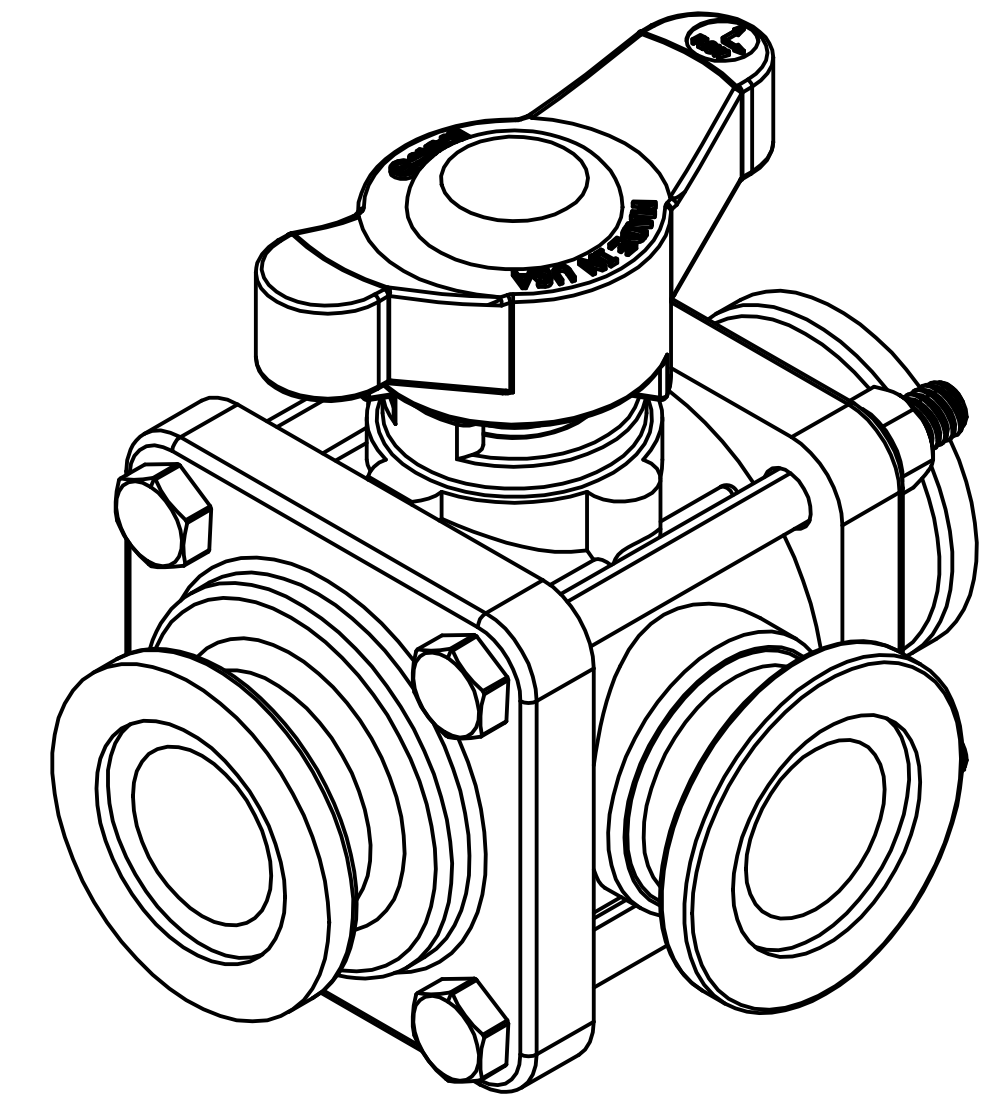
Item	Part No.	Description	Qty.
1	VE10278A	1" Manifold End Plate	2
2	V10353TS	T Handle	1
3	MV10354S	1" Manifold Body	1
4	V07021A	Handle Washer	1
5	V10020A	Handle Bolt	1
6	V10118	Lock Washer	4
7	V10119	Body Nut	4
8	V10117	Body Bolt	4
9	V10159	Upper Stem Bushing	1
10	V10163	FKM?(viton type) Stem O-Ring	1
11	V10060	Thrust Bushing	1
12	V10151A	Stem	1
13	VE10258A	Seat	2
14	V10355S	Side Load Ball	1
15	VE10264	Body O-Ring	2
16	V20353C	Handle Cap	1



SECTION B-B
SCALE 1 : 1



Parts List			
ITEM	QTY	PART NUMBER	DESCRIPTION
1	2	VE10278A	1" VE Flange Endplate
2	1	V10353TS	1" SIDE LOAD T-HANDLE
3	1	V10020A	10-32 X 1 1/4" SMS
4	4	V10118	5/16" LOCKWASHER
5	4	V10119	5/16" HEX NUT
6	4	V10117	5/16 - 18 X 3 1/2" HHCS
7	1	V10159	STEM BUSHING
8	1	V10163	#113 O-RING, FKM
9	1	V10060	THRUST BEARING
10	1	V10151A	STEM
11	2	VE10258A	1" VE Seat TFM
12	2	VE10264	#139 O-RING, FKM
13	1	V20353C	1 1/8" CAPLUG
14	1	050DECAL	Banjo Logo Decal
15	1	MV10354S	1" Full Port Side Load Valve Body, Machined
16	1	V10355S	1" Side Load Ball



THIS DRAWING AND ALL INFORMATION CONTAINED THEREON ARE THE EXCLUSIVE PROPERTY OF BANJO CORPORATION.

UNLESS SPECIFICALLY NOTED, THIS DRAWING AND ITEMS SHOWN ON THIS DRAWING ARE SUBJECT TO CHANGE AT ANY TIME.

BANJO CORPORATION
150 BANJO DRIVE, CRAWFORDSVILLE, IN 47933
WEB SITE: WWW.BANJOCORP.COM
E-MAIL: SALES1@BANJOCORP.COM

DESCRIPTION
1" Side Load Manifold 3 Way Valve

PART NUMBER
MV100SL