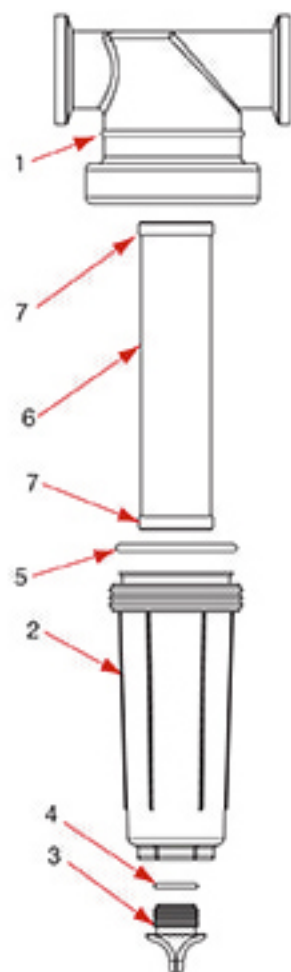


Part Number : MLST150-50



Item	Part No.	Description	Qty.
1	MLST150-H	1½" Flanged T Strainer Head	1
2	LST150-B	1½" Flanged T Strainer Bowl, Drain Plug&O-Ring	1
3	LSQ200-PL	1½" Flanged T Strainer Plug	1
4	LSQ200-R	1½" Flanged T Strainer O-Ring	1
5	LST150-G	1½" EPDM Gasket	1
5	LST150-GV	1½" FKM (viton type) Gasket	1
6	LST1550	50 Mesh Screen	1
7	LST034G	1½" EPDM O-Ring for Screen	1

Parts List			
ITEM	QTY	PART NUMBER	DESCRIPTION
1	1	MLST150-H	2" MANIFOLD T-STRAINER HEAD
2	1	LST150-B	1 1/2" T-Strainer Bowl Assembly
3	1	LST150-G	#336 O-RING
4	1	LST1550	1 1/2" LST SCREEN 50 Mesh, SS, Poly Ribs

Note:
Additional Clearance Req'd
for Screen Removal: 8"



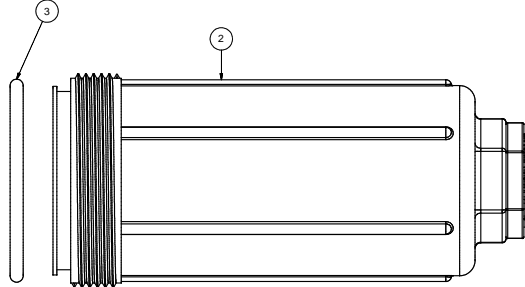
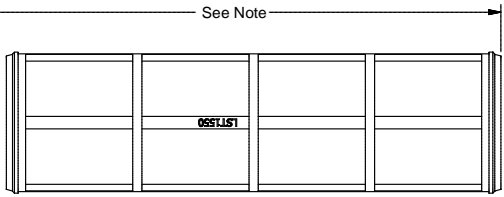
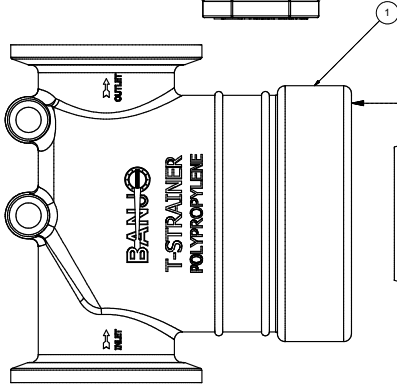
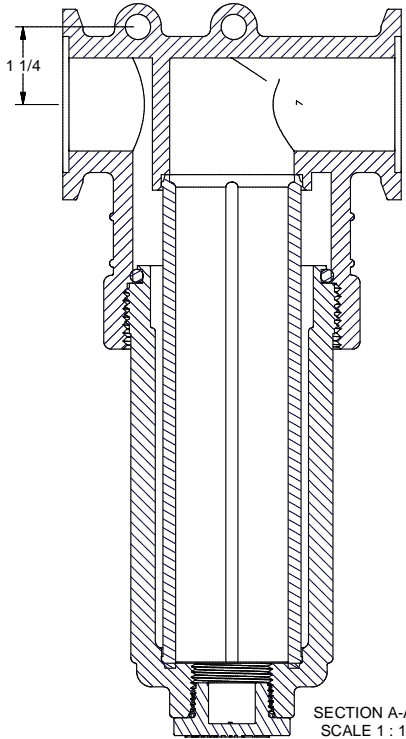
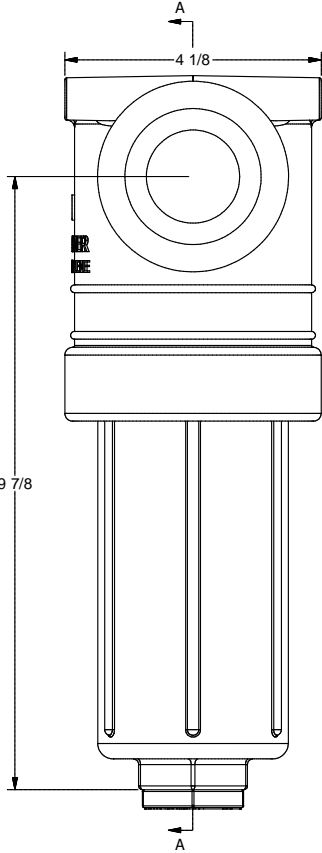
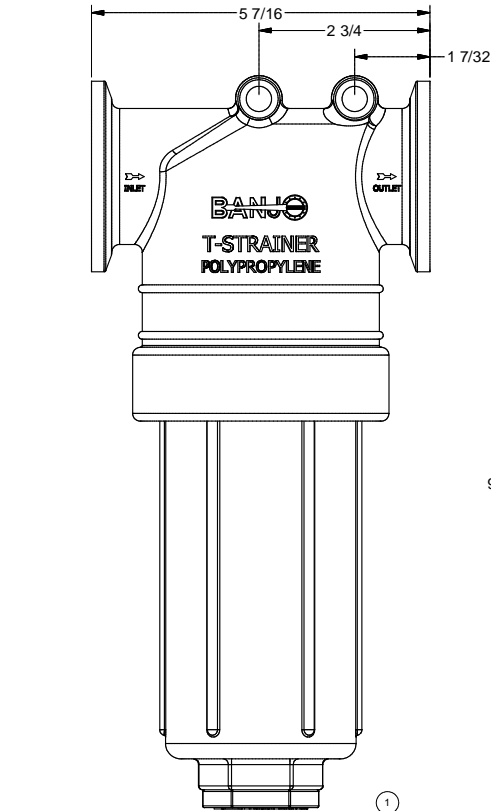
BANJO CORPORATION
150 BANJO DRIVE, CRAWFORDSVILLE, IN 47933
WEB SITE: WWW.BANJOCORP.COM
E-MAIL: SALES1@BANJOCORP.COM

DESCRIPTION
2" Manifold T Line Strainer, 50 Mesh

PART NUMBER
MLST150-50

THIS DRAWING AND ALL INFORMATION CONTAINED THEREON ARE THE EXCLUSIVE PROPERTY OF BANJO CORPORATION.

UNLESS SPECIFICALLY NOTED, THIS DRAWING AND ITEMS SHOWN ON THIS DRAWING ARE SUBJECT TO CHANGE AT ANY TIME.



THIS DRAWING AND ALL INFORMATION CONTAINED THEREON ARE THE EXCLUSIVE PROPERTY OF BANJO CORPORATION.

UNLESS SPECIFICALLY NOTED, THIS DRAWING AND ITEMS SHOWN ON THIS DRAWING ARE SUBJECT TO CHANGE AT ANY TIME.