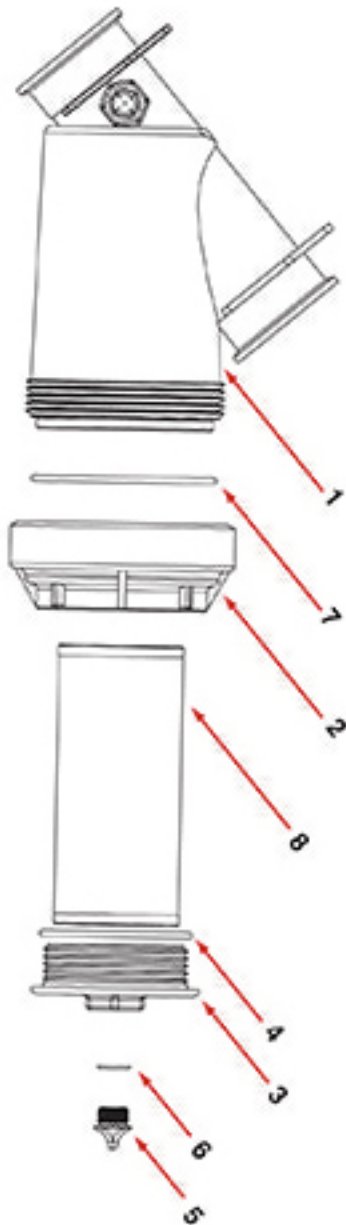
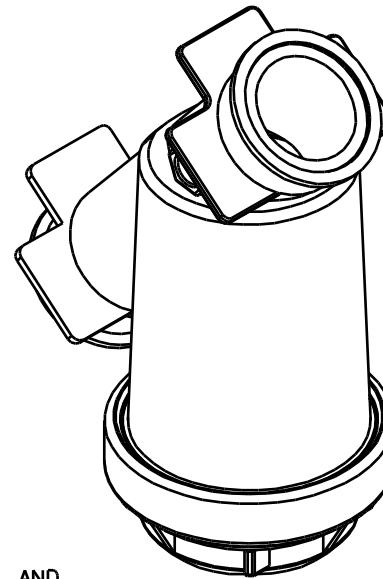


Part Number : MLS300-20



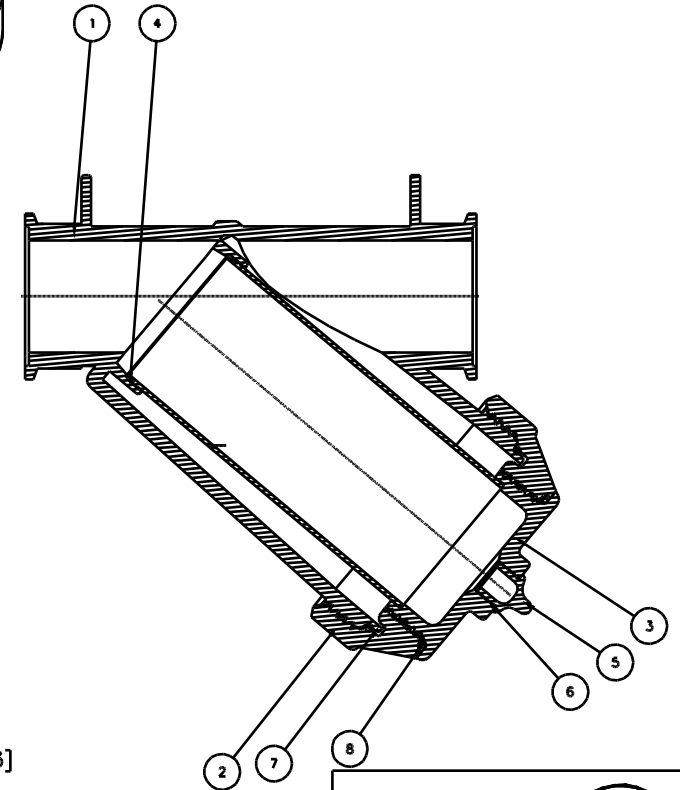
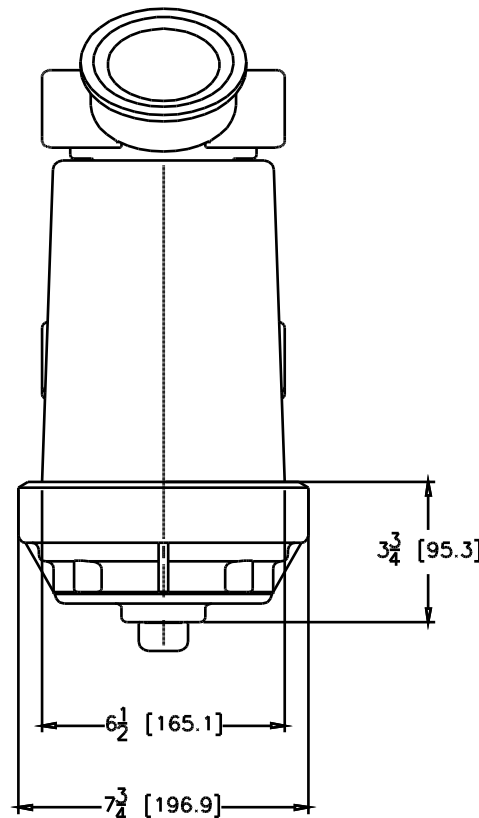
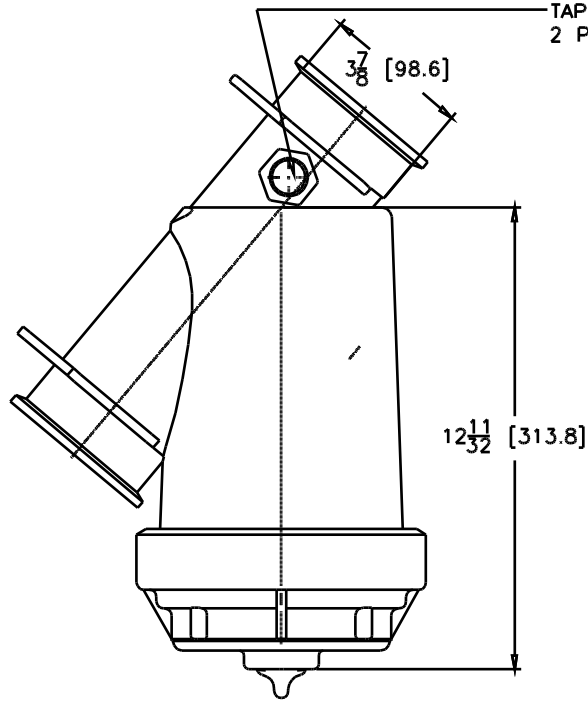
Item	Part No.	Description	Qty.
1	MLS300B	3" Flanged Y Strainer Body	1
2	MLS300CAP	3" Flanged Y Strainer Cap	1
3	LS300EC	3" End Cap	1
4	MLS300ECG	3" EPDM End Cap Gasket	1
4	MLS300ECGV	3" FKM (viton type) End Cap Gasket	1
5	13777	3" End Cap Plug	1
6	13778	3" End Cap Plug Gasket	1
7	MLS300G	3" EPDM Cap Gasket	1
7	MLS300GV	3" FKM (viton type) Cap Gasket	1
8	LS320	20 SS Mesh Screen	1

Parts List		
Item	Qty	Name
1	1	MLS300B
2	1	MLS300CAP
3	1	LS300ECJD
4	1	SCREEN*
5	1	13777
6	1	13778
7	1	MLS300G
8	1	MLS300ECG



SCREEN PART NUMBER:
 STRAINER SCREEN
 MLS300-04 LS304
 MLS300-06 LS306
 MLS300-08 LS308
 MLS300-12 LS312
 MLS300-20 LS320
 MLS300-50 LS350

BOSS FOR OPTIONAL DRILL AND
 TAP 3/4"-14 ANS TAPER PIPE THREAD.
 2 PLACES 180° OPPOSITE.



BANJO CORPORATION
 150 BANJO DR. • CRAWFORDSVILLE, IN 47933

THIS DRAWING AND ALL INFORMATION
 CONTAINED THEREON ARE THE EXCLUSIVE
 PROPERTY OF BANJO CORPORATION.
 UNLESS SPECIFICALLY NOTED, THIS
 DRAWING AND ITEMS SHOWN ON THIS
 DRAWING ARE SUBJECT TO CHANGE
 AT ANY TIME.

PART NO.	MLS300
TITLE	3" Manifold Linestrainer Assembly