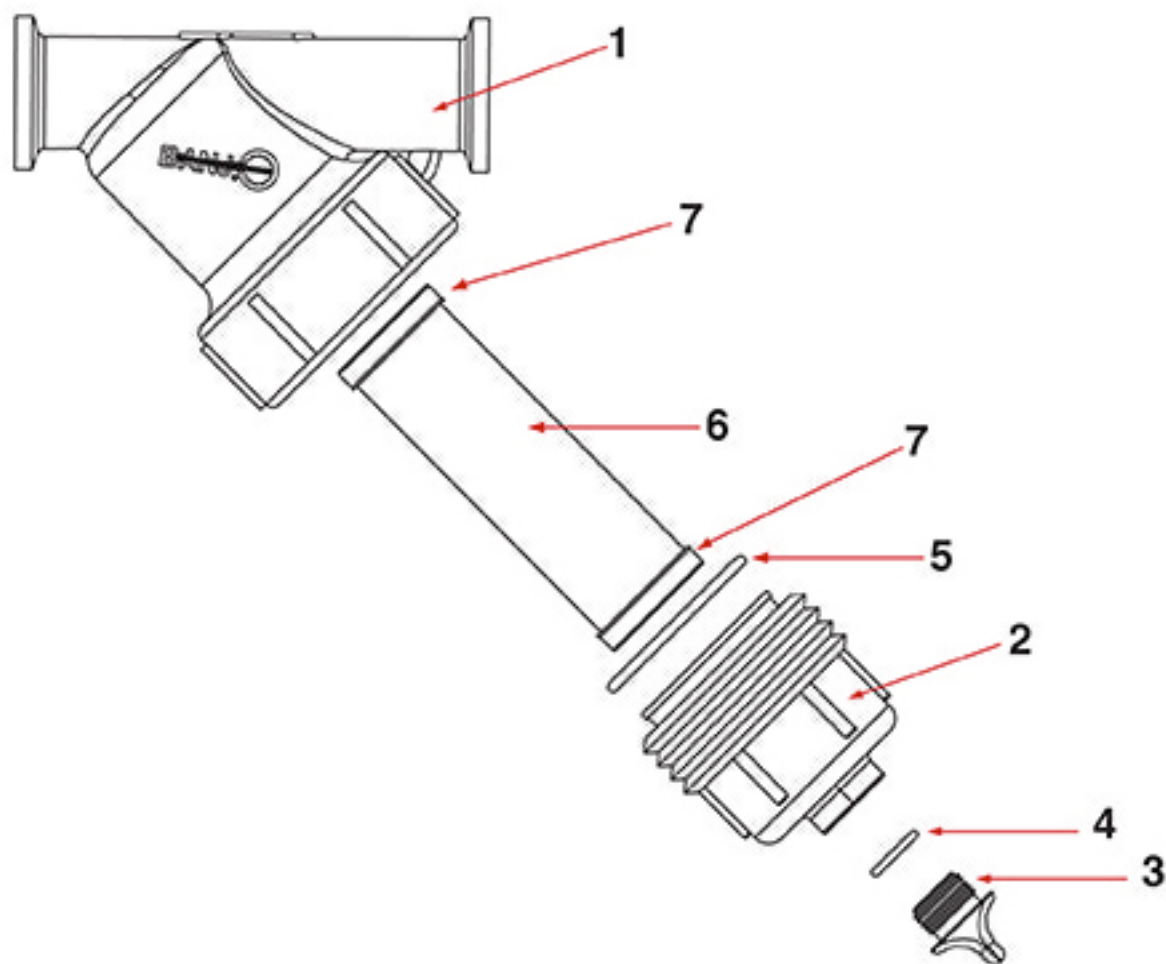


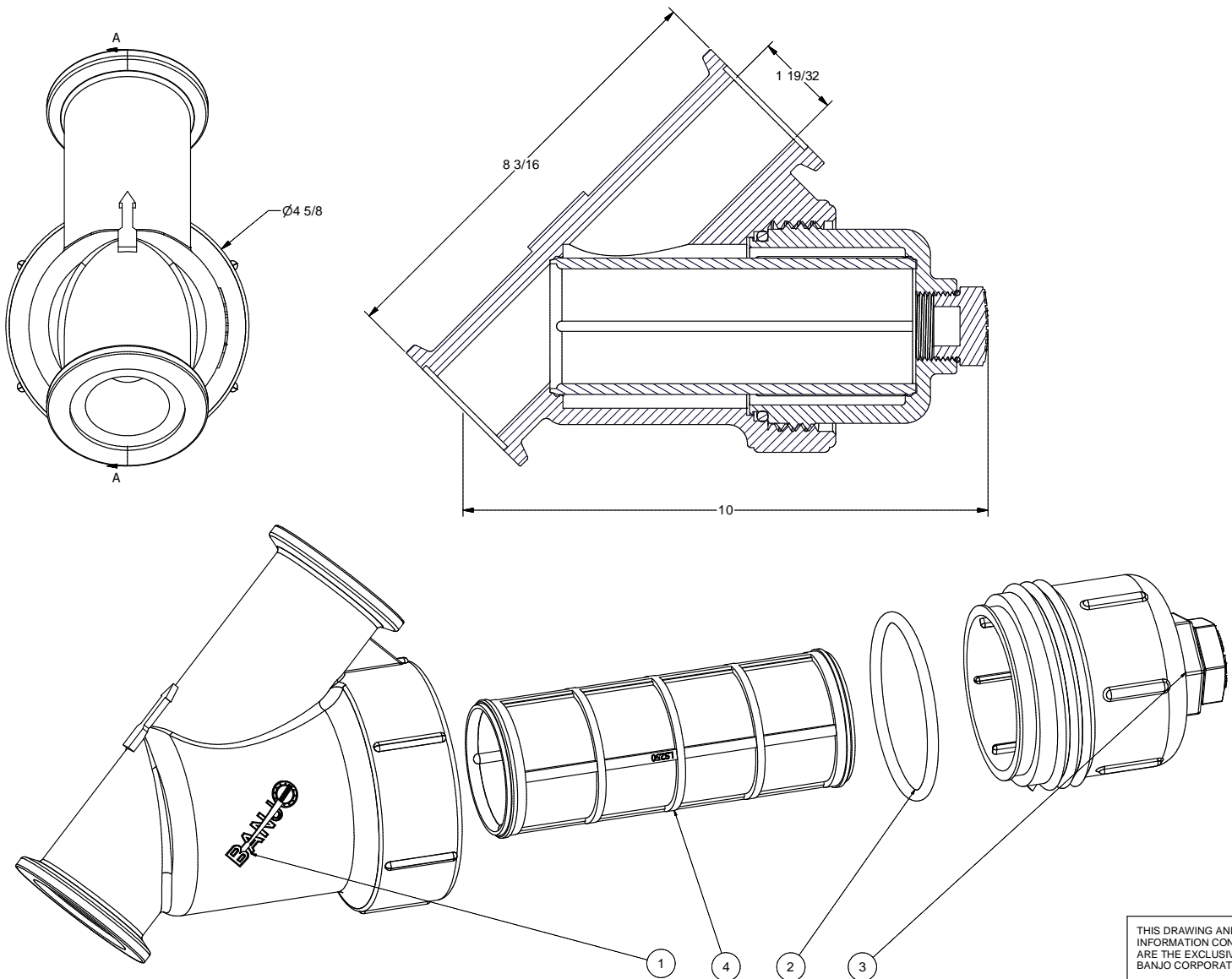
Part Number : MLS200-50



Item	Part No.	Description	Qty.
5	LS150-G	2" EPDM Gasket	1
5	LS150-GV	2" FKM (viton type) Gasket	1
6	LS250	50 Mesh Screen	1
7	LS141G	2" EPDM O-Ring for Screen	2
1	MLS200B	2" Y Strainer Body	1
2	LS150-C	2" Y Strainer Cap, Drain Plug & O-Ring	1
3	LSQ200-PL	2" Flanged Y Strainer Plug	1
4	LSQ200-R	2" Flanged Y Strainer O-Ring	1

Parts List

ITEM	QTY	PART NUMBER	DESCRIPTION
1	1	MLS200B	2" LINE STRAINER BODY
2	1	LS150-G	#339 O-RING
3	1	LS150-C	LS CAP ASSY
4	1	LS250	2" LS SCREEN - 50 MESH



THIS DRAWING AND ALL INFORMATION CONTAINED THEREON ARE THE EXCLUSIVE PROPERTY OF BANJO CORPORATION.
UNLESS SPECIFICALLY NOTED, THIS DRAWING AND ITEMS SHOWN ON THIS DRAWING ARE SUBJECT TO CHANGE AT ANY TIME.

BANJO CORPORATION
 BANJO CORPORATION
 150 BANJO DRIVE, CRAWFORDSVILLE, IN 47933
 WEB SITE: WWW.BANJOCORP.COM
 E-MAIL: BANJOSALES@IDEXCORP.COM

DESCRIPTION
2" MANIFOLD LINE STRAINER - 50 MESH SCREEN

PART NUMBER
MLS200-50