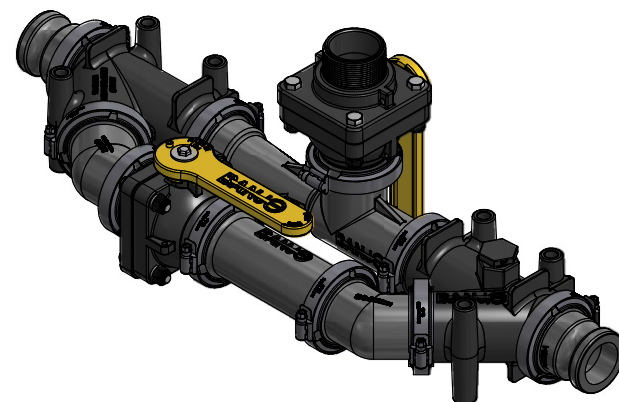


Parts List			
ITEM	QTY	PART NUMBER	DESCRIPTION
1	1	PLUG075	3/4" PIPE PLUG
2	1	MHV220A	2" FP VENTURI ASSY
3	10	M221G	2" FP Manifold Gasket w/ Rib
4	10	FC220	2" FP HI TORQUE CLAMP
5	2	M220CPG45	2" FP MANIFOLD 45° COUPLING
6	1	M220CPG6	2" FP MANIFOLD COUPLING
7	1	M220Y45	2" FP Manifold Wye 45
8	1	M220YG45	2" FP Manifold Wye 45 w/ Gage Port
9	1	MVS220CF	2" Stubby Valve
10	2	M220A	2" Full Port Manifold Flange X 2" Male Coupler
11	1	MVSM220FP	2" FP MNFLD X 2" MALE NPT STUBBY VALVE



THIS DRAWING AND ALL INFORMATION CONTAINED THEREON ARE THE EXCLUSIVE PROPERTY OF BANJO CORPORATION.

UNLESS SPECIFICALLY NOTED, THIS DRAWING AND ITEMS SHOWN ON THIS DRAWING ARE SUBJECT TO CHANGE AT ANY TIME.



BANJO CORPORATION
 150 BANJO DRIVE, CRAWFORDSVILLE, IN 47933
 WEB SITE: WWW.BANJOCORP.COM
 E-MAIL: SALES1@BANJOCORP.COM

DESCRIPTION
2" FP Manifold Inductor System

PART NUMBER
MIS220AA

BANJO BRIEF



Inductor System Not Drawing Chemicals?

Fluid being pushed into the inductor tank instead of the chemicals you want being drawn out? There are several common reasons this could be happening.

Q1. Is a hose reel being used?

A1: A hose reel can cause a restriction in the line, resulting in back pressure against the system.

Q2. Is there a pipe size reduction?

A2: Ensure to use the same full pipe size all the way through the plumbing. Reducing the line can also create back pressure. The system is designed to be used with full flow.

Q3. Is there a leak in the connections?

A3: Even if a leak is not present, air could still be getting in. Air causes the system to underperform. Maintaining proper pump flow is critical.

Q4. Bottom filling?

A4: Top filling reduces the possibility of creating back pressure against the system. If top filling is not an option, be sure to induct the chemical into an empty tank.

Q5. Is there an actual obstruction in the line causing it to plug the inductor?

A5: Removing a physical obstruction should allow the chemical to be drawn out.

Q6. Is there a 90 degree fitting on the outlet side?

A6: A 90 degree fitting can cause the flow to be restricted due to the angle.

If you would like more assistance in trouble shooting your issue, please contact our technical support team at 1-888-705-7020.

