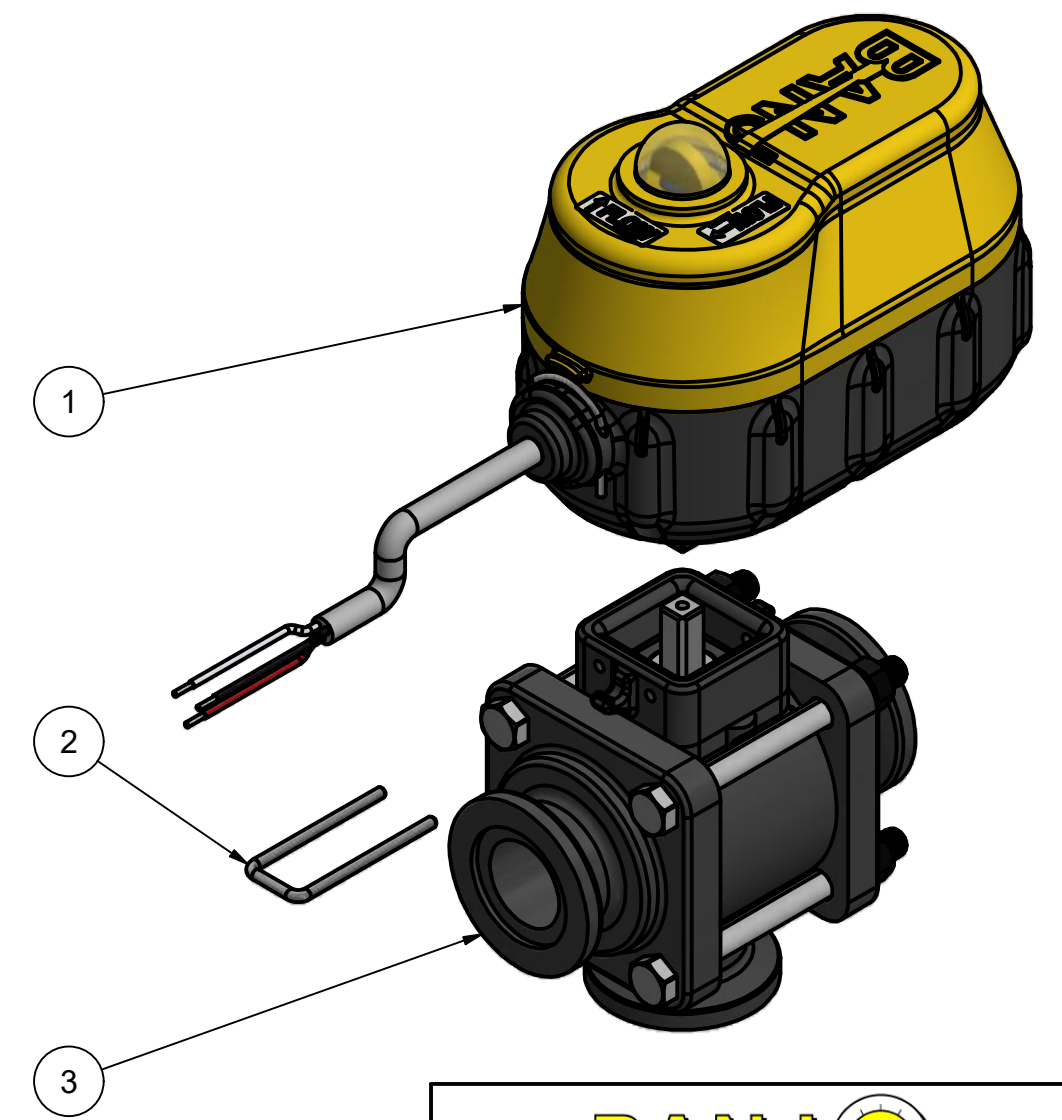
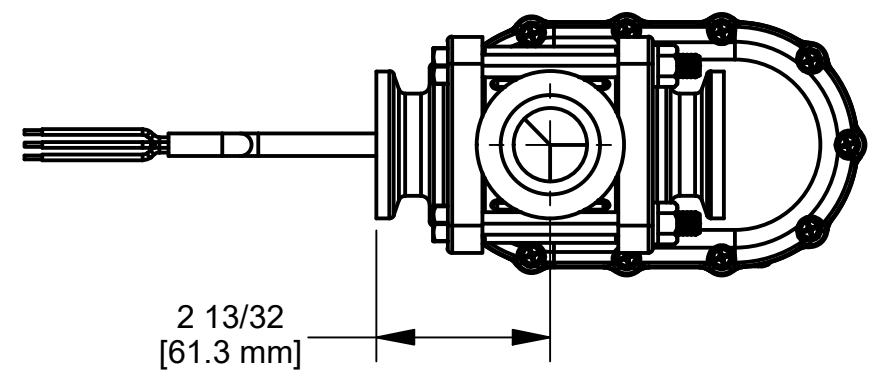
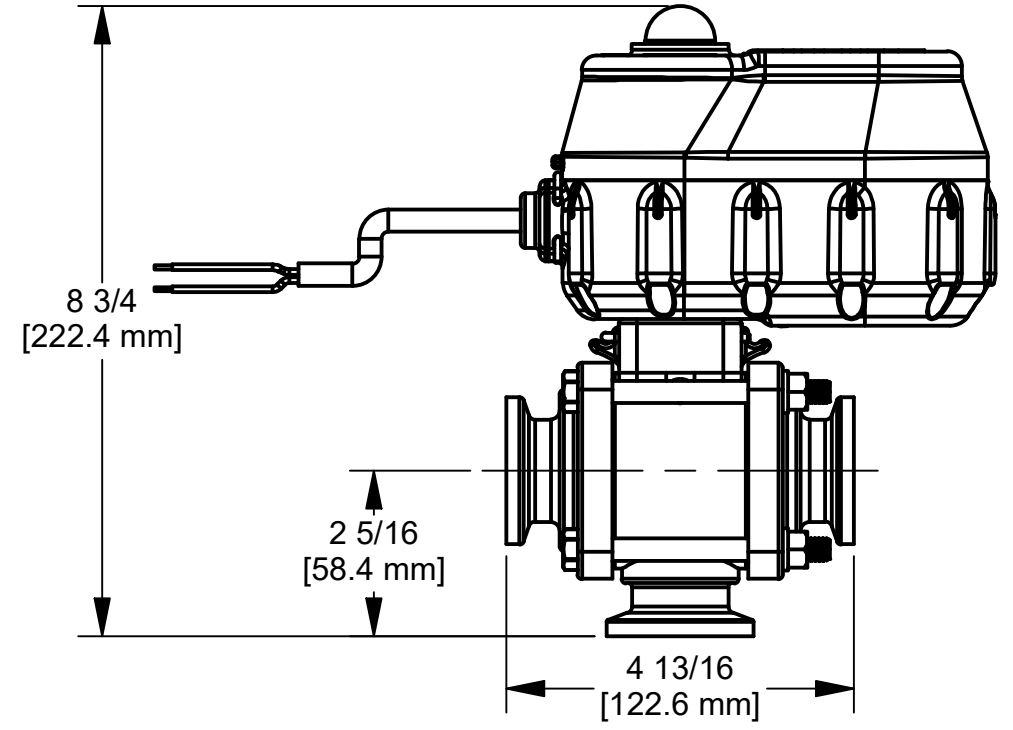


WIRING:
 RED = +12VDC
 BLACK = GND
 WHITE = +12VDC (OPEN), 0VDC (CLOSE)

WIRE LENGTH: 18" ± 1"

Parts List			
ITEM	QTY	PART NUMBER	DESCRIPTION
1	1	EP21A10310	EVX ACT 0.75S WWC 3W
2	1	EVP20001	EV U-PIN
3	1	MEVX100BLX	1" EVX BL MANIFOLD VALVE



BANJO CORPORATION

BANJO CORPORATION
 150 BANJO DRIVE, CRAWFORDSVILLE, IN 47933
 WEB SITE: WWW.BANJOCORP.COM
 E-MAIL: BANJOSALES@IDEXCORP.COM

DESCRIPTION
 EVX 1"PORT BL E/V 3/4SEC 3WIRE

PART NUMBER
 MEVX100BL

THIS DRAWING AND ALL INFORMATION CONTAINED THEREON ARE THE EXCLUSIVE PROPERTY OF BANJO CORPORATION.

UNLESS SPECIFICALLY NOTED, THIS DRAWING AND ITEMS SHOWN ON THIS DRAWING ARE SUBJECT TO CHANGE AT ANY TIME.