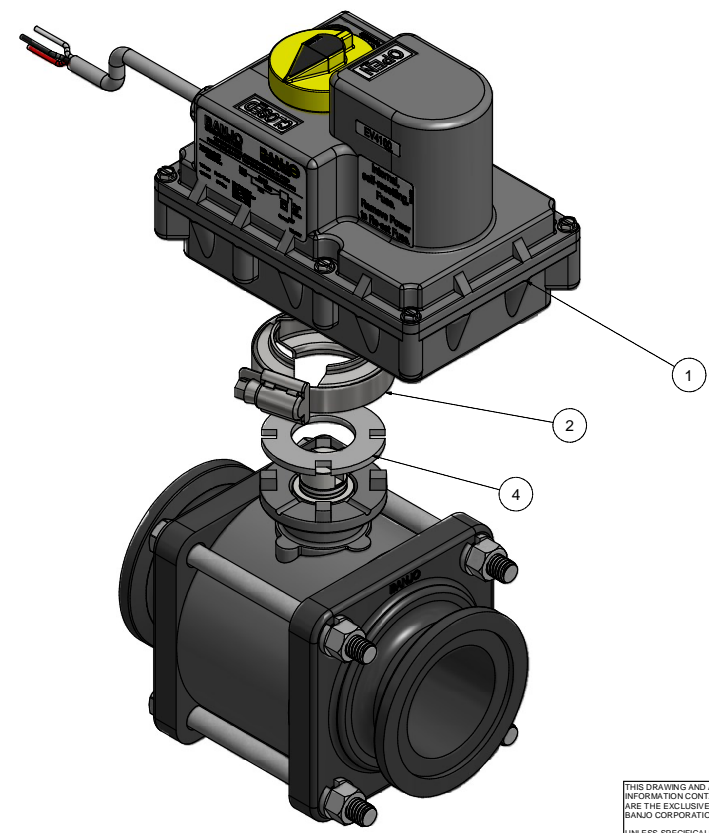
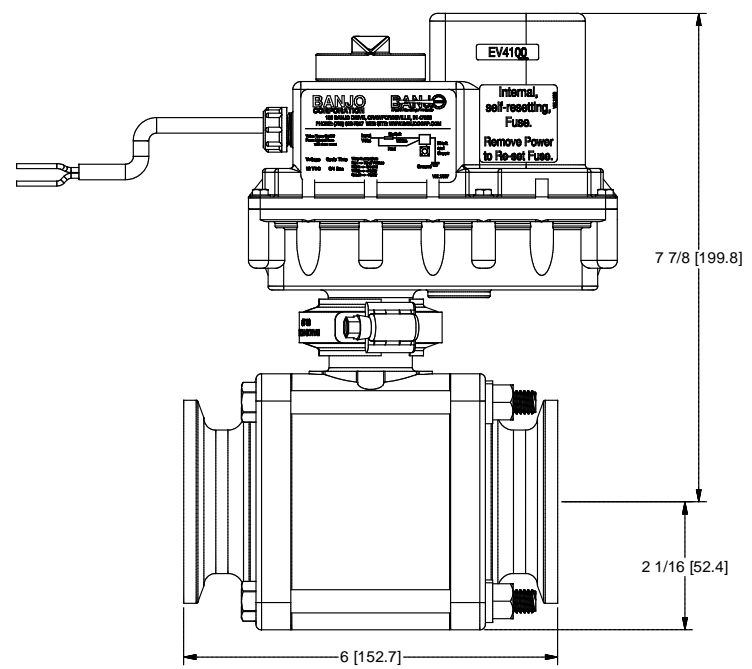
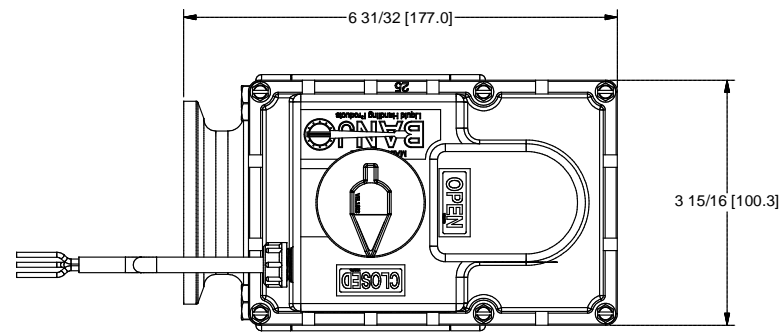


Parts List			
ITEM	QTY	PART NUMBER	DESCRIPTION
1	1	EV4100	1 1/4 Sec. 3 Wire EV Actuator Assy
2	1	FC100	1" HI TORQUE CLAMP
3	1	MEV220XR1	2" FP Manifold Valve Only
4	1	MVE004	MVE Mounting Breather

Note:
12VDC



THIS DRAWING AND ALL INFORMATION CONTAINED THEREON ARE THE EXCLUSIVE PROPERTY OF BANJO CORPORATION. UNLESS SPECIFICALLY NOTED, THIS DRAWING AND ITEMS SHOWN ON THIS DRAWING ARE SUBJECT TO CHANGE AT ANY TIME.

BANJO CORPORATION
 150 BANJO DRIVE, CRAWFORDSVILLE, IN 47933
 WEB SITE: WWW.BANJOCORP.COM
 E-MAIL: BANJOSALES@IDEXCORP.COM

1 1/4 Sec. 3 Wire On/Off
 PART NUMBER MEV220CF