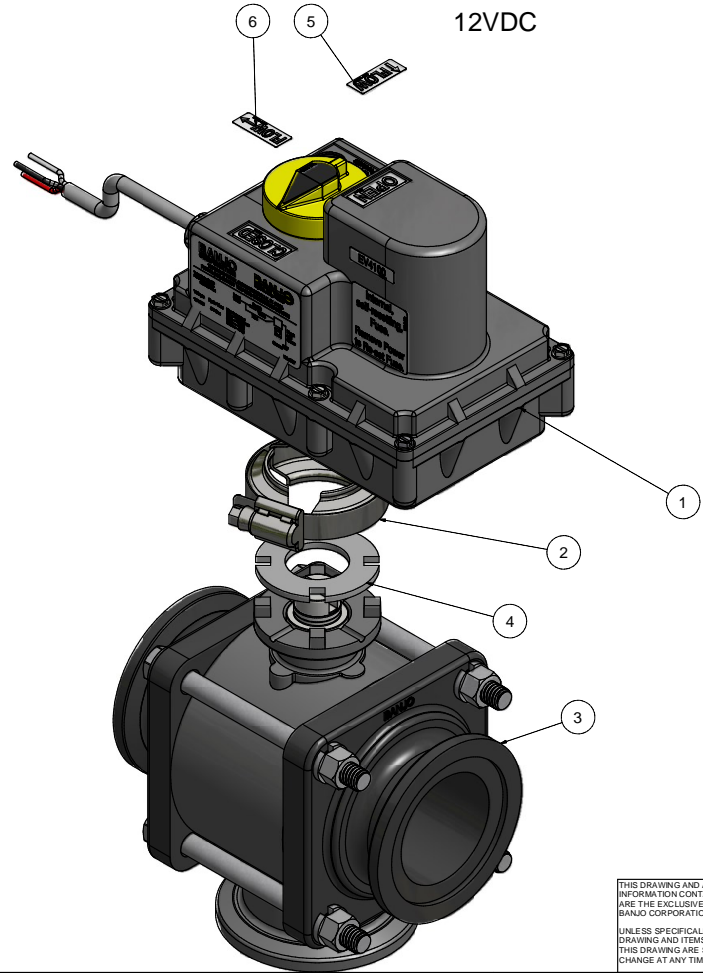


Parts List			
ITEM	QTY	PART NUMBER	DESCRIPTION
1	1	EV4100	1 1/4 Sec. 3 Wire EV Actuator Assy
2	1	FC100	1" HI TORQUE CLAMP
3	1	MEV220BLXR1	2" FP BL Manifold Valve Only
4	1	MVE004	MVE Mounting Breather
5	1	VEL1020	VE "BL" Sticker
6	1	VEL1021	VE "BL" Sticker

Note:
12VDC



THIS DRAWING AND ALL INFORMATION CONTAINED THEREON ARE THE EXCLUSIVE PROPERTY OF BANJO CORPORATION.
UNLESS SPECIFICALLY NOTED, THIS DRAWING AND ITEMS SHOWN ON THIS DRAWING ARE SUBJECT TO CHANGE AT ANY TIME.

BANJO CORPORATION
150 BANJO DRIVE, CRAWFORDSVILLE, IN 47933
WEB SITE: WWW.BANJOCORP.COM
E-MAIL: BANJOSALES@IDEXCORP.COM

2" FP BL Manifold Electric Valve 1 1/4 Sec. 3 Wire, Cw/Of

PART NUMBER: MEV220BLCF