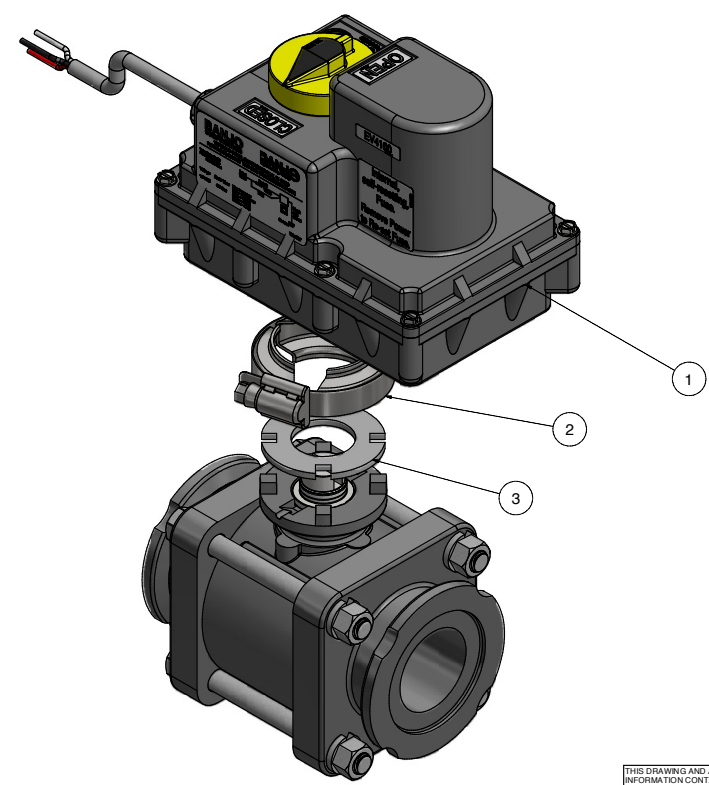
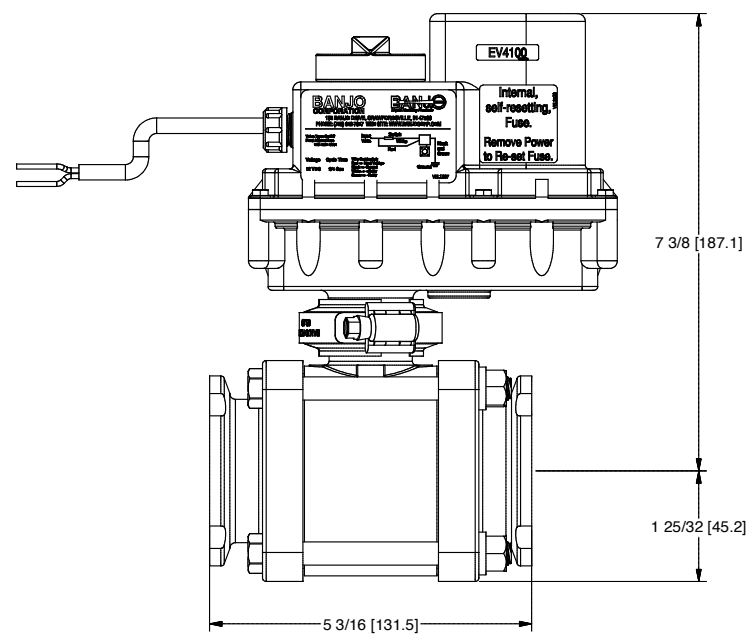
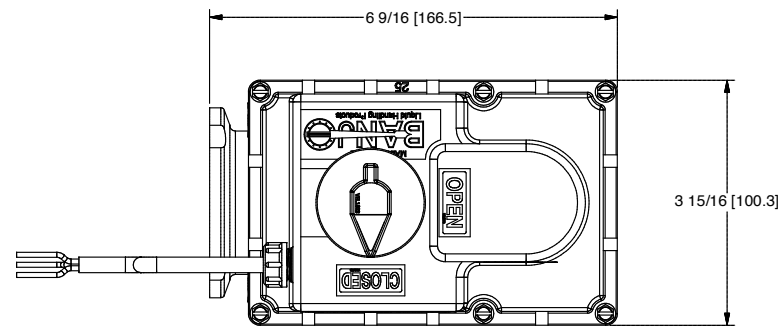


Parts List			
ITEM	QTY	PART NUMBER	DESCRIPTION
1	1	EV4100	1 1/4 Sec. 3 Wire EV Actuator Assy
2	1	FC100	1" HI TORQUE CLAMP
3	1	MVE004	MVE Mounting Breather
4	1	MEV200XR1	2" Manifold Valve SubAssy

Note:  
12VDC



THIS DRAWING AND ALL INFORMATION CONTAINED THEREON ARE THE EXCLUSIVE PROPERTY OF BANJO CORPORATION.  
UNLESS SPECIFICALLY NOTED, THIS DRAWING AND ITEMS SHOWN ON THIS DRAWING ARE SUBJECT TO CHANGE AT ANY TIME.

BANJO CORPORATION  
150 BANJO DRIVE, CRAWFORDSVILLE, IN 47933  
WEB SITE: WWW.BANJOCORP.COM  
E-MAIL: BANJOSALES@IDEXCORP.COM

MEV200CF Electric Valve 1 1/4 Sec. 3 Wire, On/Off  
PART NUMBER MEV200CF