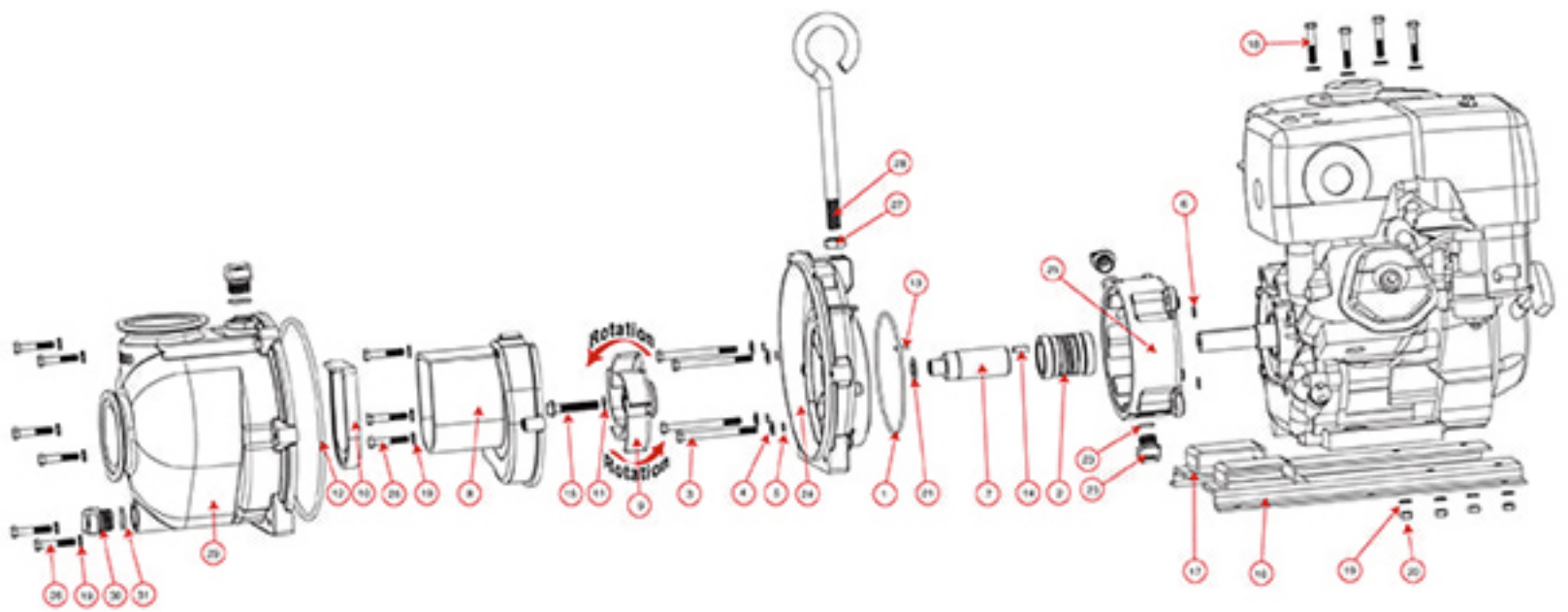
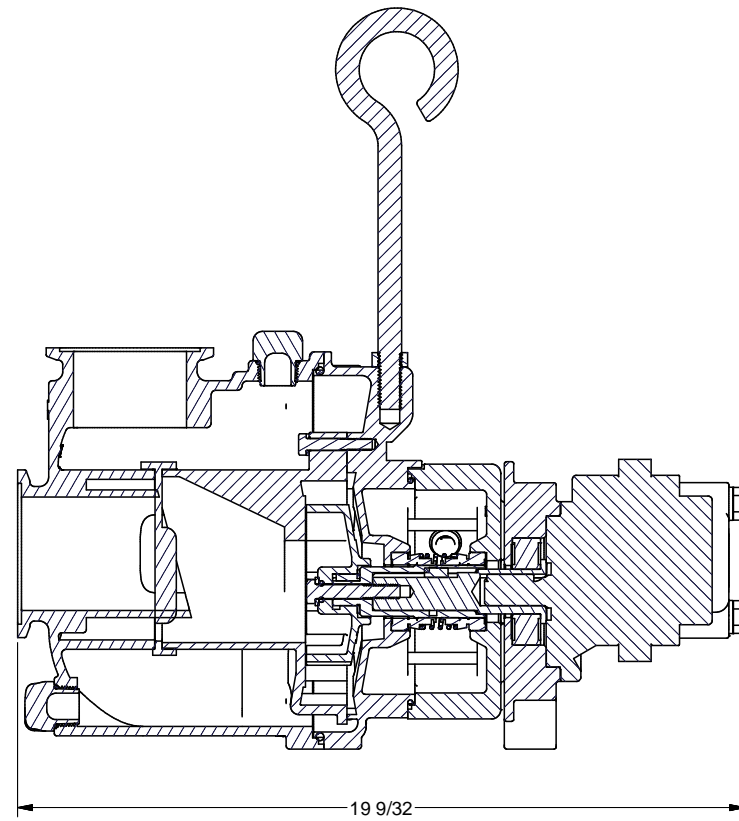
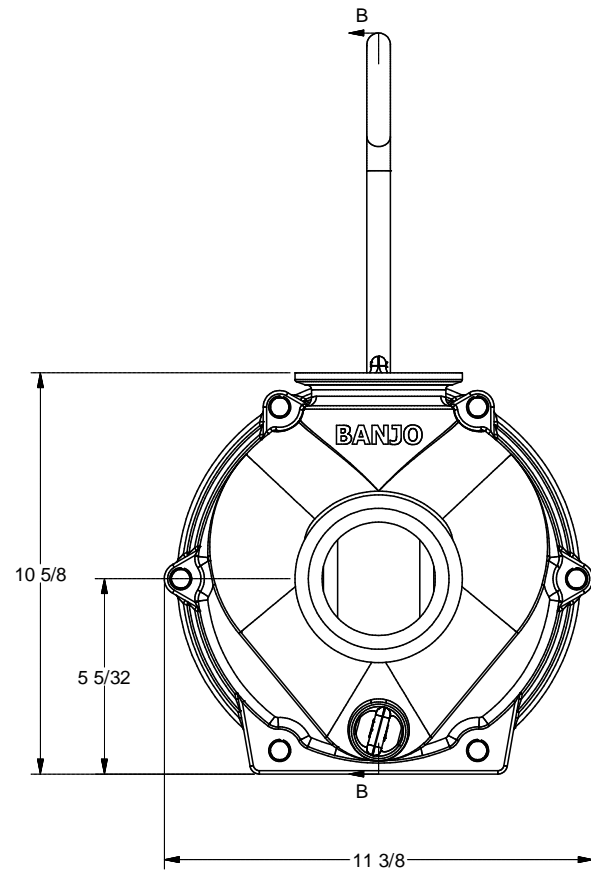


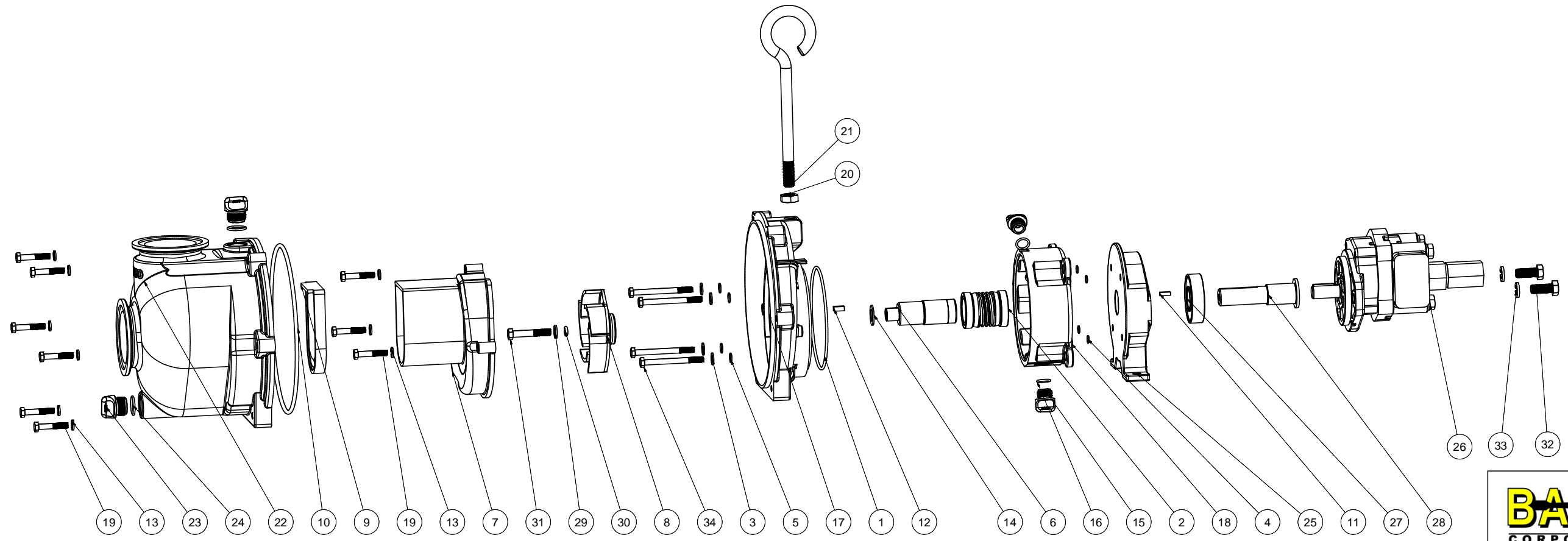
Part Number : M332PIHYW



Item	Part No.	Description	Qty.
1	13719	O-Ring	1
2	15035	FKM (viton type) Mechanical Seal Assembly	1
3	12901	SS Rear Bracket Washer	4
4	12717	O-Ring for Screw Head	4
5	12709	O-Ring	4
6	13055	Adapter Shaft	1
7	19702	Volute	1
8	19772SS	5 Vane Stainless Steel Impeller	1
9	12705	Check Valve	1
10	12719A	Body O-Ring	1
11	12902A	Impeller Key	1
12	16901	1/4" SQ. 3/4" Key Stock	1
13	V10118	5/16" SS Lock Washer	9
14	CV10175	Gasket	2
15	12777	Prime/Drain Plug	2
16	UV15163	Prime/Drain Plug O-Ring	2
17	19703W	Rear Bracket	1
18	19201W	Wet Seal Reservoir	1
19	12715A	SS Bracket Screws	9
20	18034	5/8" SS Jam Nut	1
21	18033	Handle	1
22	M19712X	Pump Body	1
23	13777	Prime/Drain Plug	2
24	13778	Prime/Drain Plug O-Ring	2
25	19001H	Reservoir Backing Plate	1
26	HY1012	Tyrone® UM16 Hydraulic Motor	1
27	18502	SKF 63306-2RS1/C3 Bearing	1
28	18055H	Hydraulic Motor Adapter Shaft	1
29	19766	3/8" Flat Washer	1
30	A203V	O-Ring	1
31	BF207	3/8" - 16 x 2 1/4" HHCS	1
32	17449	Bolt	2
33	18058	1/2" Split Lock Washer	2
34	V10117	5/16" x 3 1/2" SS Body Bolt	4



Parts List			
ITEM	QTY	PART NUMBER	DESCRIPTION
1	1	13719	#256 O-RING
2	1	15035	MECH. SEAL ASSY.
3	4	12901	5/16" FLAT WASHER
4	4	12717	#11 O-RING
5	4	12709	#13 O-RING
6	1	13055	ADAPTER SHAFT
7	1	19702	3" CI PUMP VOLUTE
8	1	19772	3" CI PUMP IMPELLER
9	1	12705	CHECKVALVE
10	1	12719A	#375 O-RING
11	1	12902A	3/16" SQ. X 5/8" KEY
12	1	16901	1/4" SQ. KEY
13	9	V10118	5/16" LOCKWASHER
14	1	CV10175	GASKET
15	2	12777	1/2" DRAIN PLUG
16	2	UV15163	2-114 O-RING
17	1	19703W	REAR BRACKET
18	1	19201W	3" WET SEAL RESERVOIR
19	9	12715A	5/16-24 X 1 3/4" HHCS
20	1	18034	5/8-11 JAM NUT
21	1	18033	PUMP HANDLE
22	1	M19712X	3" CI MNFLD PUMP BODY
23	2	13777	3/4" DRAIN PLUG
24	2	13778	2-119 O-RING
25	1	19001H	RES. BACKING PLATE
26	1	HY1012	HYD. MTR. ASSY.
27	1	18502	BEARING PEDESTAL BEARING
28	1	18055H	HYD. MTR. ADPT. SHAFT
29	1	19766	3/8" FLAT WASHER
30	1	A203V	#203 O-RING
31	1	BF207	3/8-16 X 2 1/4" HHCS
32	2	17449	1/2-13 X 1 1/4" HHCS
33	2	18058	1/2" LOCKWASHER
34	4	V10117	5/16 - 18 X 3 1/2" HHCS



THIS DRAWING AND ALL INFORMATION CONTAINED THEREON ARE THE EXCLUSIVE PROPERTY OF BANJO CORPORATION.

UNLESS SPECIFICALLY NOTED, THIS DRAWING AND ITEMS SHOWN ON THIS DRAWING ARE SUBJECT TO CHANGE AT ANY TIME.

BANJO CORPORATION
 150 BANJO DRIVE, CRAWFORDSVILLE, IN 47933
 WEB SITE: WWW.BANJOCORP.COM
 E-MAIL: SALES1@BANJOCORP.COM

DESCRIPTION
3" MANIFOLD CI PUMP W/ HYD. MTR

PART NUMBER
M332PIHYW