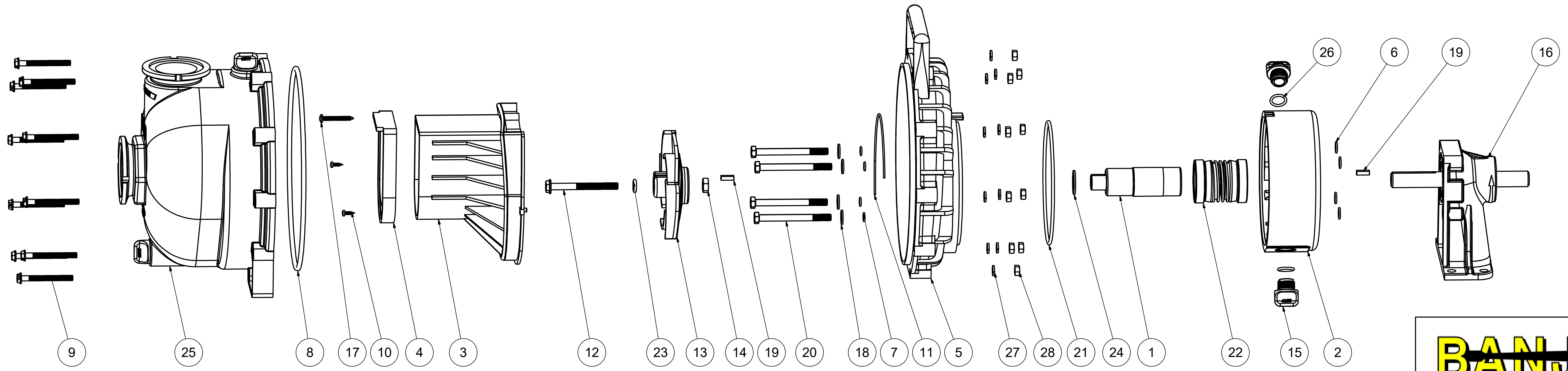


Parts List			
ITEM	QTY	PART NUMBER	DESCRIPTION
1	1	12155	ADAPTER SHAFT
2	1	12202W	2" POLY RESERVOIR
3	1	12702A	2" POLY PUMP VOLUTE
4	1	12705	PUMP CHECKVALVE, EPDM
5	1	12707W	2" W.S. REAR BRACKET
6	4	12709	#13 O-RING, EPDM
7	4	12717	#11 O-RING, EPDM
8	1	12719A	#375 O-RING, EPDM
9	10	12720	1/4-20 X 2 1/2" SL IND HWHS
10	2	12725	#6 X 1/2" PPH SMS
11	1	12754	O'RING SEGMENT
12	1	12766	5/16-24 X 3 1/4" HFS
13	1	12772	IMPELLER
14	1	12775A	7/16-14 HEX NUT
15	2	12777	1/2" DRAIN PLUG
16	1	12882A	BEARING PEDESTAL
17	1	12900	#10 X 1 1/2" PPH SMS
18	4	12901	5/16" FLAT WASHER
19	2	12902A	3/16" SQ. X 5/8" KEY
20	4	13034	5/16-24 X 3 1/2" HHCS
21	1	13719	#256 O'RING, EPDM
22	1	15035E	MECH. SEAL ASSY, EPDM
23	1	A204	#204 O'RING, EPDM
24	1	CV10175	GASKET, EPDM
25	1	M12712	2" FP MNFLD PUMP BODY ASSY
26	2	UV15163	#114 O'RING, EPDM
27	10	V07018	1/4" LOCKWASHER
28	10	V07019	1/4-20 HEX NUT
29	1	KK-57	WARNING TAG (N/S)



BANJO CORPORATION

150 BANJO DRIVE, CRAWFORDSVILLE, IN 47933
 WEB SITE: WWW.BANJOCORP.COM
 E-MAIL: SALES1@BANJOCORP.COM

DESCRIPTION
2" FP MNFLD POLY WET SEAL PUMP W/ BEARING PED.

PART NUMBER
M220PBW

THIS DRAWING AND ALL INFORMATION CONTAINED THEREON ARE THE EXCLUSIVE PROPERTY OF BANJO CORPORATION.

UNLESS SPECIFICALLY NOTED, THIS DRAWING AND ITEMS SHOWN ON THIS DRAWING ARE SUBJECT TO CHANGE AT ANY TIME.