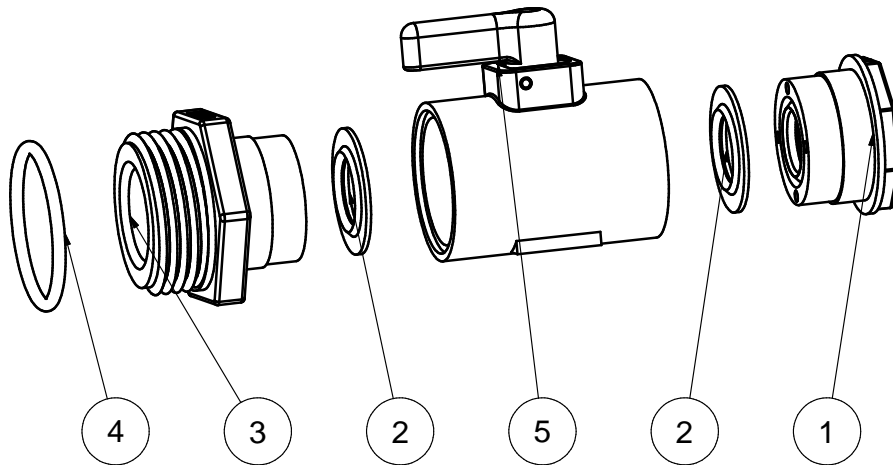
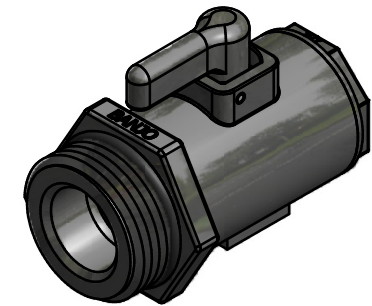


| Parts List | | | |
|------------|-----|-------------|-----------------------|
| ITEM | QTY | PART NUMBER | DESCRIPTION |
| 1 | 1 | LV05256 | 1/2" NPT ENDPLATE |
| 2 | 2 | LV05258V | 1/2" MICRO-VALVE SEAT |
| 3 | 1 | LVMT10556 | 1" NPT ENDPLATE |
| 4 | 1 | LSQ200-RV | 2-123 FKM O-RING |
| 5 | 1 | LV050SUBV | LV050 Sub-Assembly |



THIS DRAWING AND ALL INFORMATION CONTAINED THEREON ARE THE EXCLUSIVE PROPERTY OF BANJO CORPORATION.

UNLESS SPECIFICALLY NOTED, THIS DRAWING AND ITEMS SHOWN ON THIS DRAWING ARE SUBJECT TO CHANGE AT ANY TIME.



BANJO CORPORATION

150 BANJO DRIVE, CRAWFORDSVILLE, IN 47933
 WEB SITE: WWW.BANJOCORP.COM
 E-MAIL: SALES1@BANJOCORP.COM

DESCRIPTION
 1/2" FNPT X 1" MNPT MICRO-VALVE

PART NUMBER
 LV050100MTV