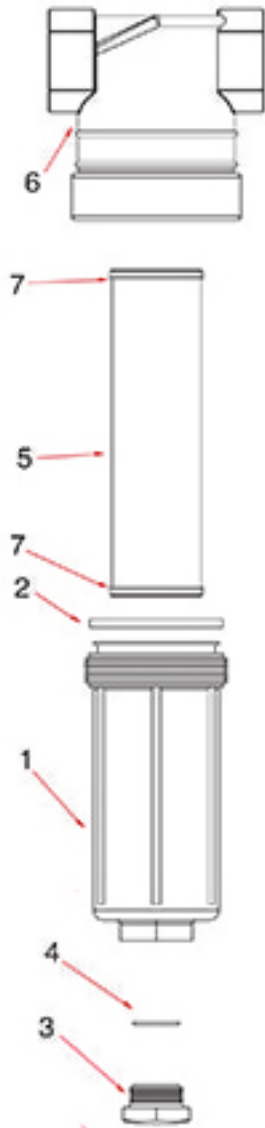
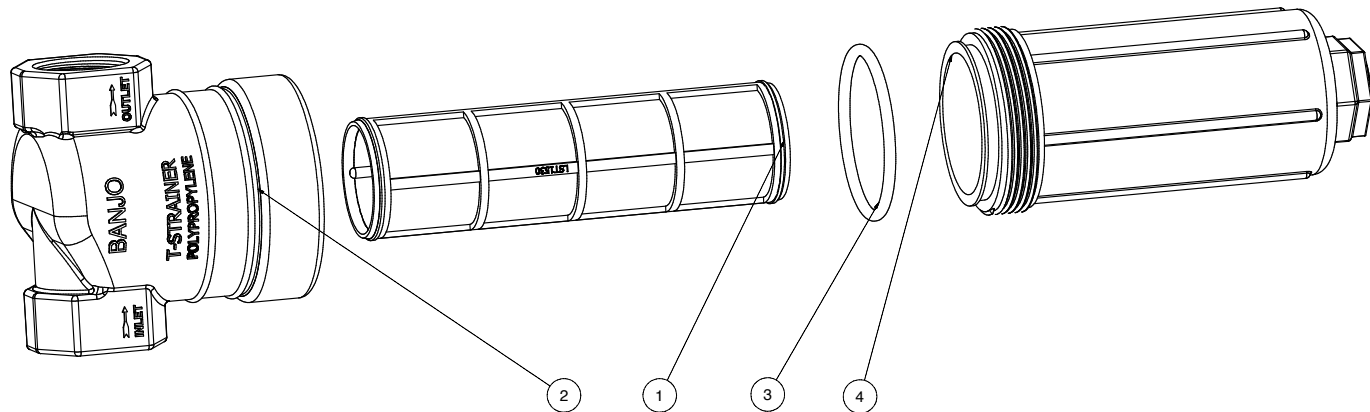
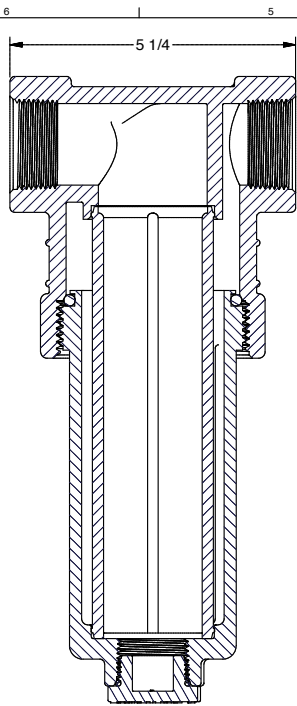
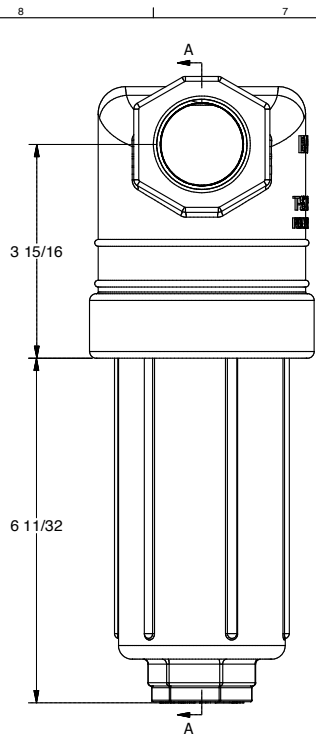


Part Number : LST125-30



Item	Part No.	Description	Qty.
1	LST150-B	1¼" & 1½" Bowl	1
1	LST150BCB	1¼" & 1½" Clear Bowl	1
2	LST150-G	1¼" & 1½" EPDM Gasket	1
2	LST150-GV	1¼" & 1½" FKM (viton type) Gasket	1
3	LSQ200-PL	1" Clean Out Plug	1
4	LSQ200-R	EPDM O-Ring for Clean Out Plug	1
4	LSQ200-RV	FKM (viton type) O-Ring for Clean Out Plug	1
5	LST1530	30 Mesh Screen	1
6	LST125-H	1¼" Strainer Head	1
7	LST034G	EPDM O-Ring for Screen	1



Parts List			
ITEM	QTY	PART NUMBER	DESCRIPTION
1	1	LST1530	1 1/2" LST SCREEN - 30 MESH
2	1	LST125-H	1 1/2" T-STRAINER HEAD
3	1	LST150-G	#336 O-RING
4	1	LST150-B	1 1/2" T-Strainer Bowl Assembly

*NOTE:
ADDITIONAL CLEARANCE REQ'D
FOR SCREEN REMOVAL: 8"

THIS DRAWING AND ALL INFORMATION CONTAINED THEREON ARE THE EXCLUSIVE PROPERTY OF BANJO CORPORATION.

UNLESS SPECIFICALLY NOTED, THIS DRAWING AND ITEMS SHOWN ON THIS DRAWING ARE SUBJECT TO CHANGE AT ANY TIME.



BANJO CORPORATION

BANJO CORPORATION
150 BANJO DRIVE, CRAWFORDSVILLE, IN 47933
WEB SITE: WWW.BANJOCORP.COM
E-MAIL: BANJOSALES@IDEXCORP.COM

DESCRIPTION	1 1/4" T-STRAINER, 30 MESH
PART NUMBER	LST125-30