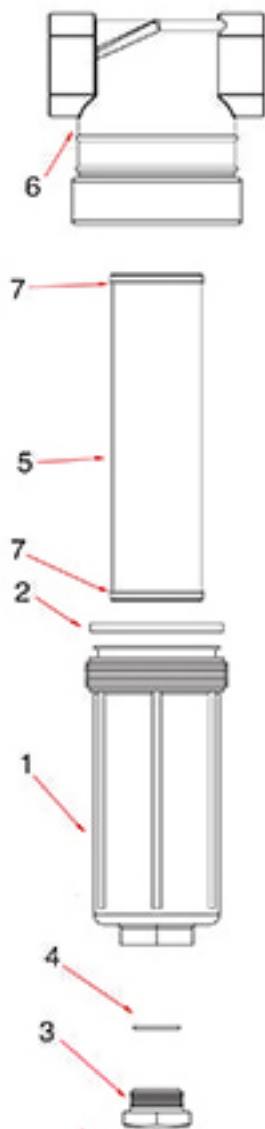
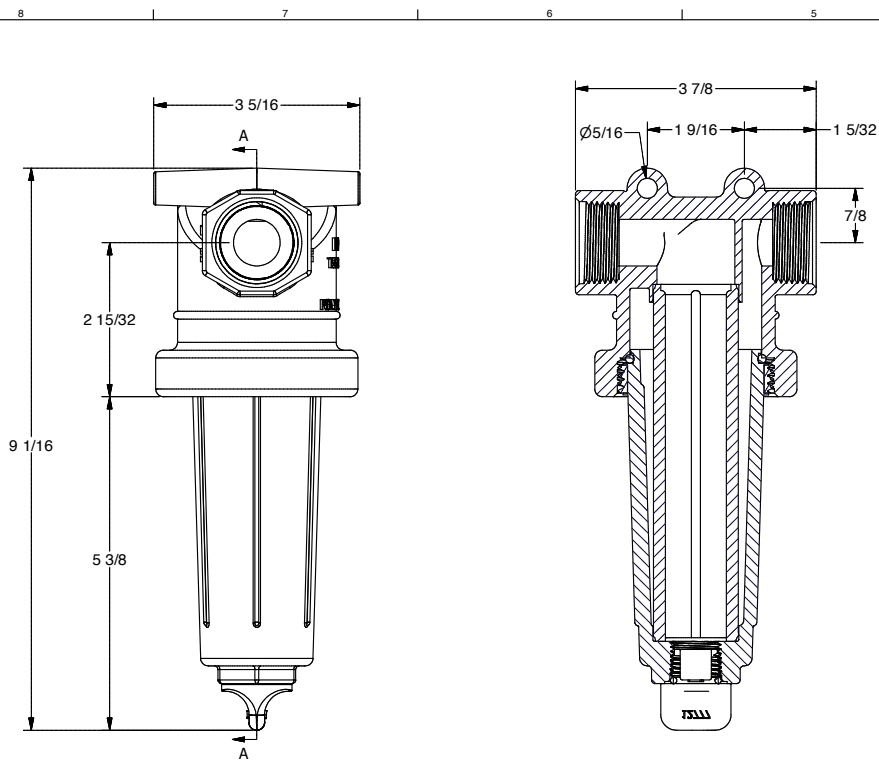


## Part Number : LST100-30

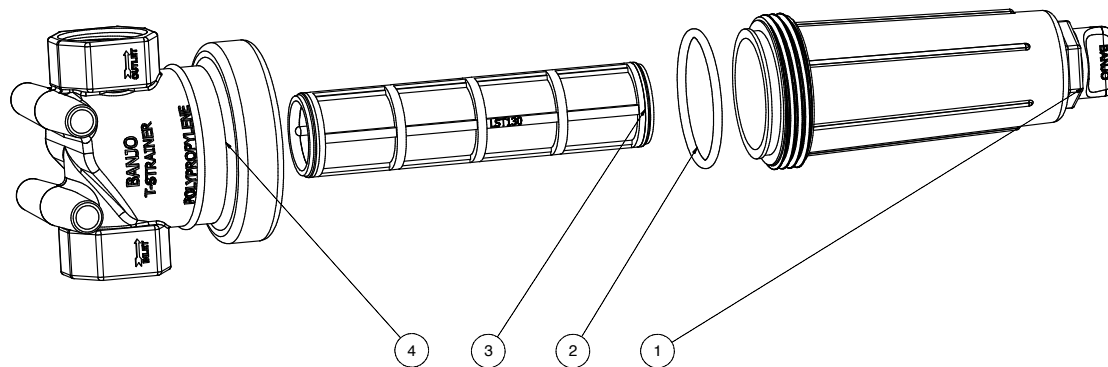


Item	Part No.	Description	Qty.
1	LST100-B	¾" & 1" Bowl	1
1	LST100BCB	¾" & 1" Clear Bowl	1
2	LST100-G	¾" & 1" EPDM Gasket	1
2	LST100-GV	¾" & 1" FKM (viton type) Gasket	1
3	12777	½" Clean Out Plug	1
4	UV15163	EPDM O-Ring for Clean Out Plug	1
4	UV15163V	FKM (viton type) O-Ring for Clean Out Plug	1
5	LST130	30 Mesh Screen	1
6	LST100-H	1" Strainer Head	1
7	13778	EPDM O-Ring for Screen	1



Parts List			
ITEM	QTY	PART NUMBER	DESCRIPTION
1	1	LST100-B	3/4" & 1" T-STRAINER BOWL
2	1	LST100-G	#226 O-RING
3	1	LST130	1" LST SCREEN - 30 MESH
4	1	LST100-H	1" T-STRAINER HEAD

\*NOTE:  
ADDITIONAL CLEARANCE REQ'D  
FOR SCREEN REMOVAL: 5 3/4"



BANJO CORPORATION  
150 BANJO DRIVE, CRAWFORDSVILLE, IN 47933  
WEB SITE: WWW.BANJOCORP.COM  
E-MAIL: BANJOSALES@IDEXCORP.COM

THIS DRAWING AND ALL  
INFORMATION CONTAINED THEREON  
ARE THE EXCLUSIVE PROPERTY OF  
BANJO CORPORATION.

UNLESS SPECIFICALLY NOTED, THIS  
DRAWING AND ITEMS SHOWN ON  
THIS DRAWING ARE SUBJECT TO  
CHANGE AT ANY TIME.

DESCRIPTION  
**1" T-STRAINER, 30 MESH**

PART NUMBER  
**LST100-30**