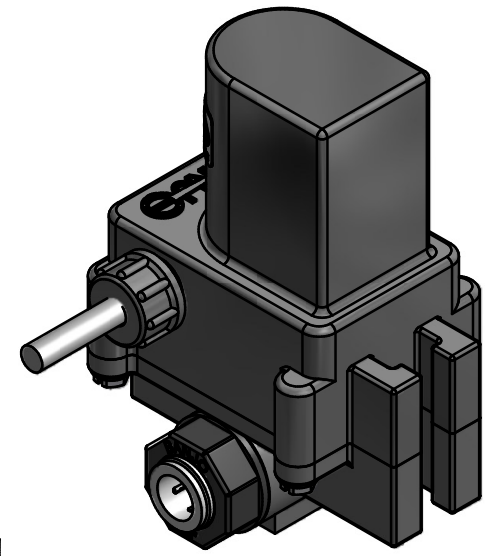
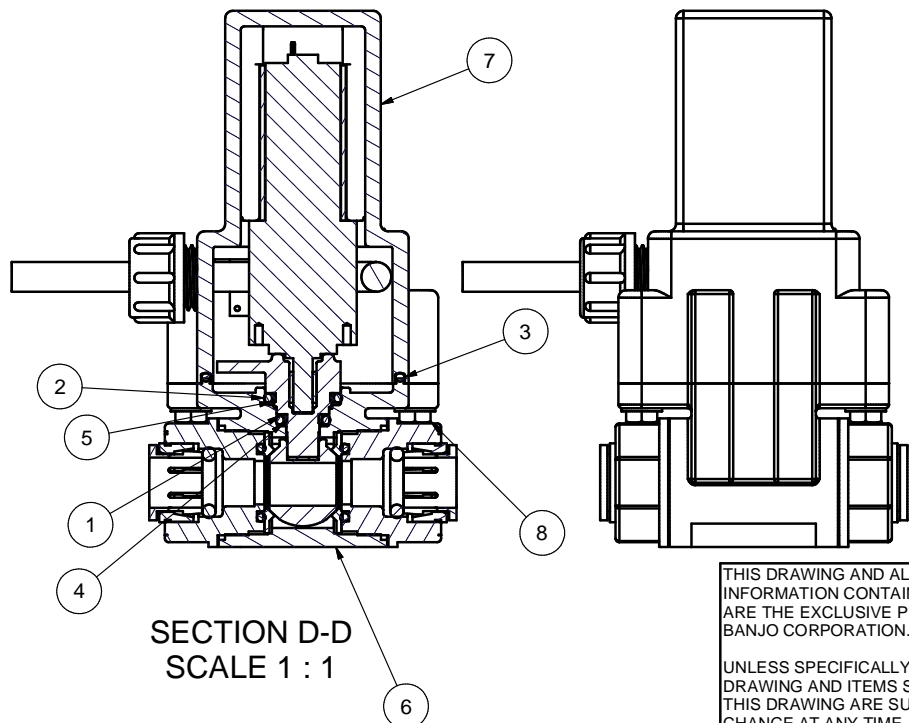
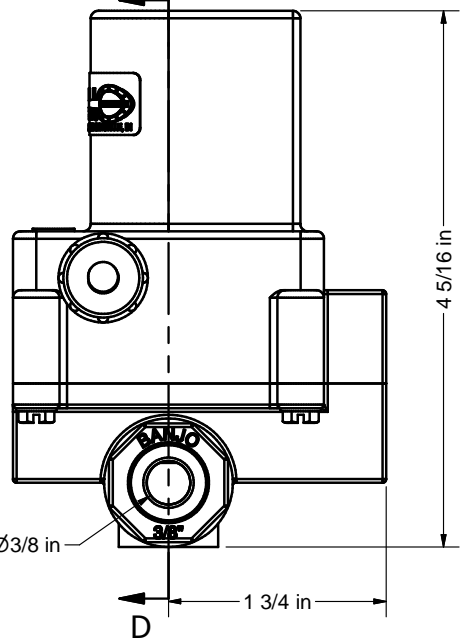


**Note:**  
**Wiring, 3 Wire**  
 Red = +12 VDC  
 Black = Ground  
 White = Signal

|      |     | Parts List  |                                     |
|------|-----|-------------|-------------------------------------|
| ITEM | QTY | PART NUMBER | DESCRIPTION                         |
| 1    | 1   | 12717       | #11 O-RING                          |
| 2    | 1   | 12724       | #14 O-RING                          |
| 3    | 1   | A035        | 2-035 O-ring, EPDM                  |
| 4    | 1   | AS586A010   | TFE Rod Seal AS 586A - 010          |
| 5    | 1   | AS586A013   | TFE Rod Seal AS 586A - 013          |
| 6    | 1   | LEV038PLX   | 3/8" LEV Valve Only                 |
| 7    | 1   | LEV3000     | 3 Wire LEV Actuator Assy            |
| 8    | 4   | VE15220     | #6x3/4"18-8SS HWH SMS               |
| 9    | 1   | 050DECAL    | CAM LEVER COUPLING DECAL            |
| 10   | 2   | PP2812W     | 3/8" Pushlock Cartridge Kit PP/EPDM |



THIS DRAWING AND ALL INFORMATION CONTAINED THEREON ARE THE EXCLUSIVE PROPERTY OF BANJO CORPORATION.  
 UNLESS SPECIFICALLY NOTED, THIS DRAWING AND ITEMS SHOWN ON THIS DRAWING ARE SUBJECT TO CHANGE AT ANY TIME.

**BANJO CORPORATION**  
 150 BANJO DRIVE, CRAWFORDSVILLE, IN 47933  
 WEB SITE: WWW.BANJOCORP.COM  
 E-MAIL: SALES1@BANJOCORP.COM

**BANJO CORPORATION**  
 DESCRIPTION  
 3/8" Push Lock LEV Valve, 3 Wire 12VDC  
 PART NUMBER  
 LEV038PL