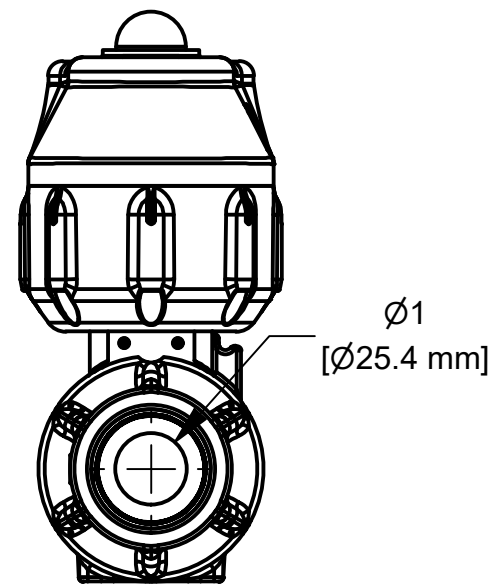


NOTES:

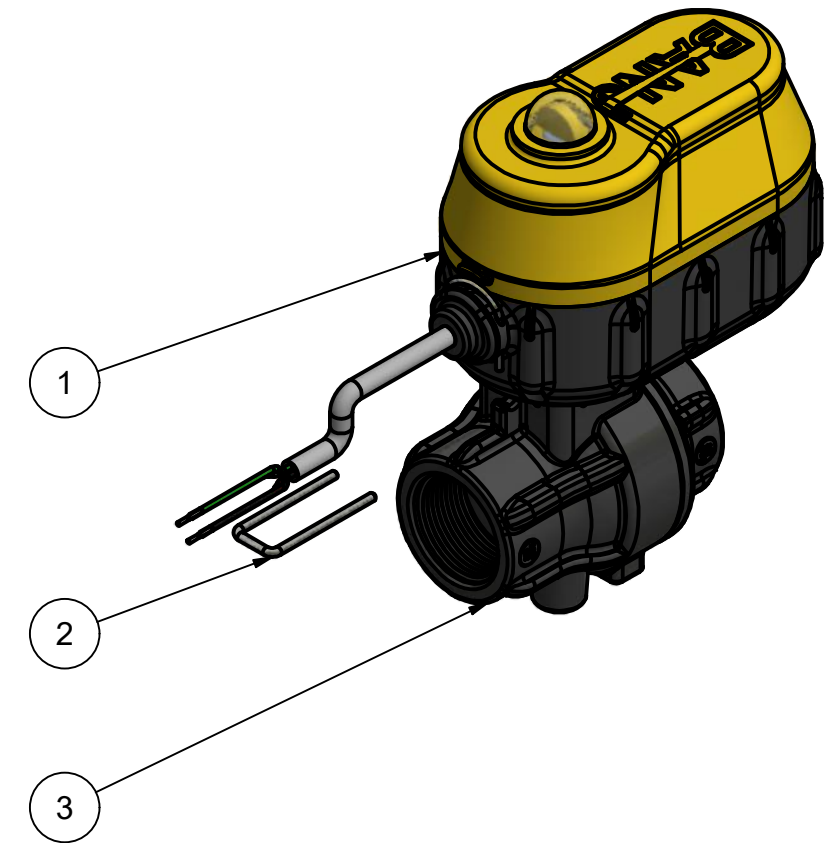
WIRING:

RED = +12VDC (OPEN)
 WHITE = GND (OPEN)
 BLACK = +12VDC (CLOSE)
 GREEN = GND (CLOSE)

WIRE LENGTH: 18" \pm 1" FROM HOUSING



Parts List			
ITEM	QTY	PART NUMBER	DESCRIPTION
1	1	EP31C03410	EVX ACT 4S 4W REG
2	1	EVP20001	EV U-PIN
3	1	EVX125HX	EVX 1"FP 1.25"NPT STUBBY VALVE ONLY



THIS DRAWING AND ALL INFORMATION CONTAINED THEREON ARE THE EXCLUSIVE PROPERTY OF BANJO CORPORATION.

UNLESS SPECIFICALLY NOTED, THIS DRAWING AND ITEMS SHOWN ON THIS DRAWING ARE SUBJECT TO CHANGE AT ANY TIME.



BANJO CORPORATION
 150 BANJO DRIVE, CRAWFORDSVILLE, IN 47933
 WEB SITE: WWW.BANJOCORP.COM
 E-MAIL: BANJOSALES@IDEXCORP.COM

DESCRIPTION
 EVX 1.25"NPT 1"FP 4S 4W REGULATING

PART NUMBER
 EVXR125