

NOTES:

CABLE LENGTH: 18" ±1" FROM HOUSING.

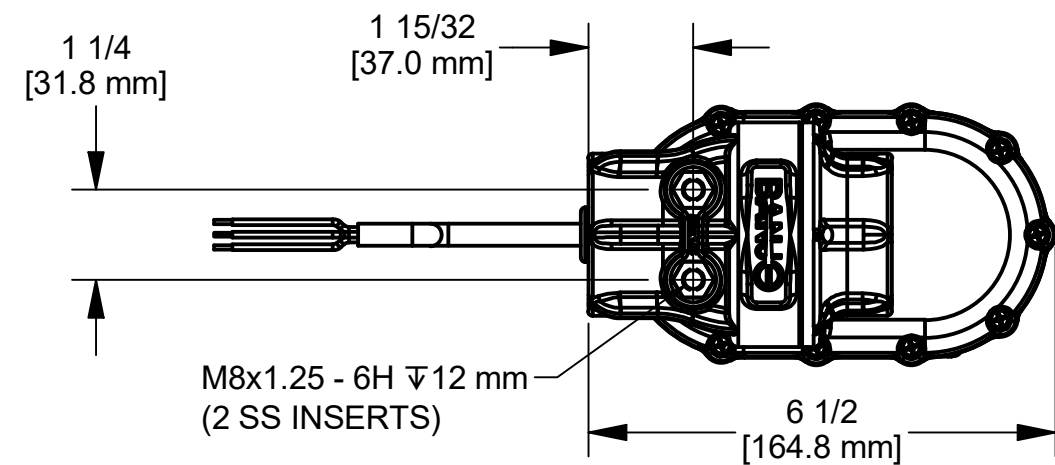
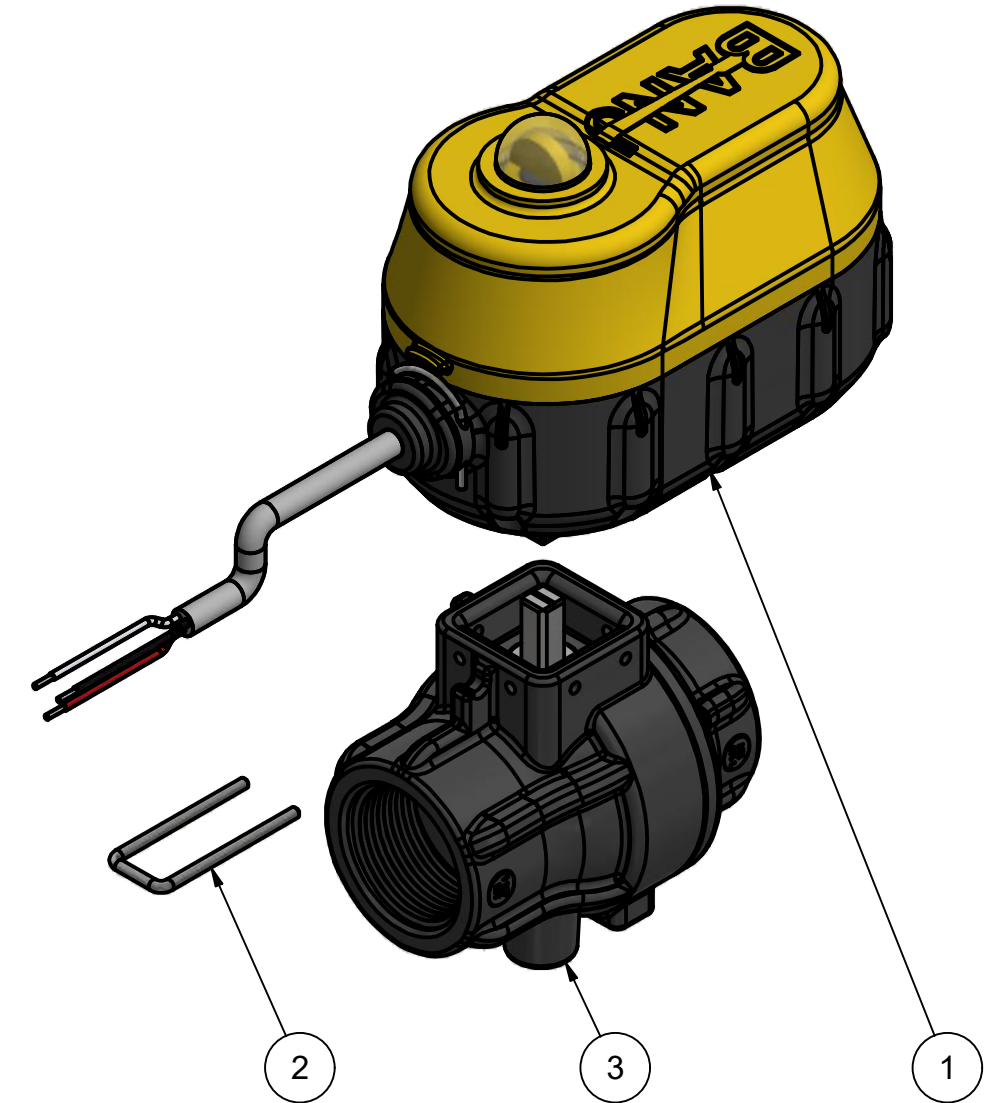
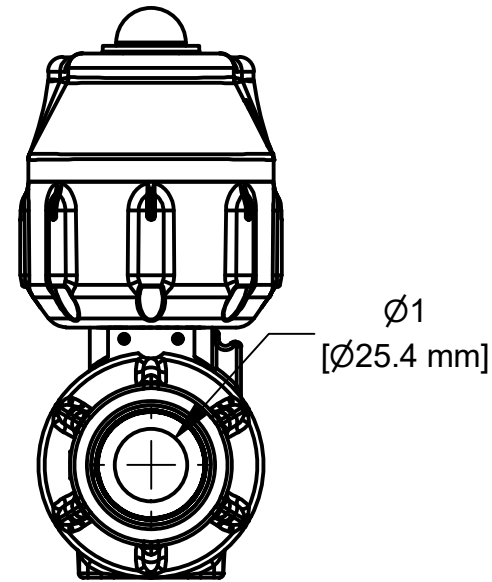
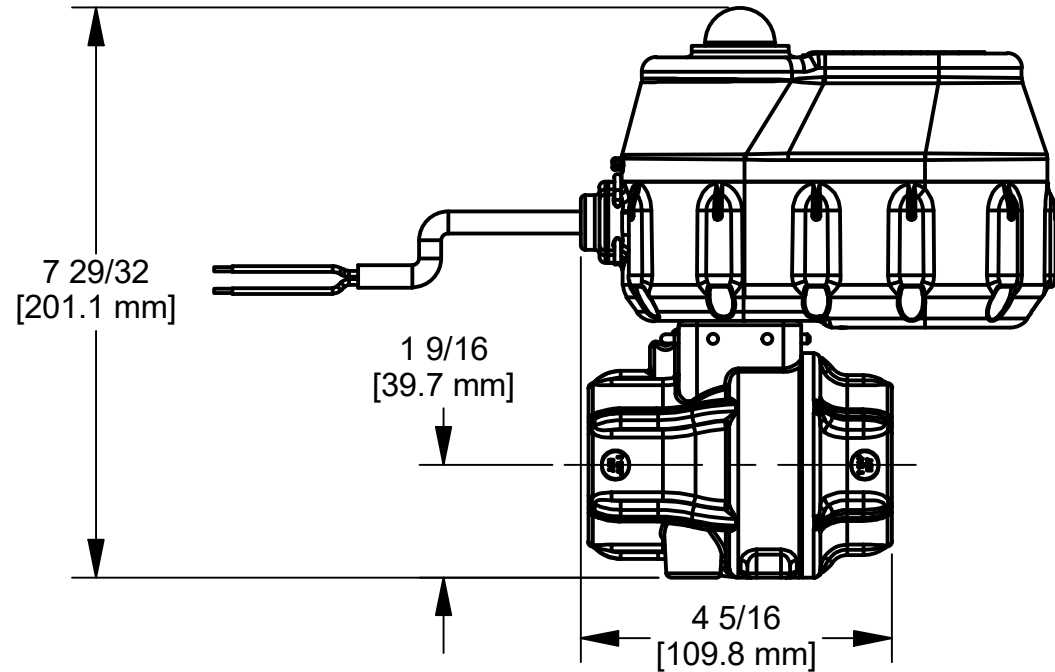
WIRING:

RED = +12VDC

BLACK = GND

WHITE = +12VDC (OPEN), 0VDC (CLOSE)

Parts List			
ITEM	QTY	PART NUMBER	DESCRIPTION
1	1	EP21A10310	EVX ACT 0.75S WWC 3W
2	1	EVP20001	EV U-PIN
3	1	EVX125HX	EVX 1"FP 1.25"NPT STUBBY VALVE ONLY



THIS DRAWING AND ALL INFORMATION CONTAINED THEREON ARE THE EXCLUSIVE PROPERTY OF BANJO CORPORATION.

UNLESS SPECIFICALLY NOTED, THIS DRAWING AND ITEMS SHOWN ON THIS DRAWING ARE SUBJECT TO CHANGE AT ANY TIME.



BANJO CORPORATION
 150 BANJO DRIVE, CRAWFORDSVILLE, IN 47933
 WEB SITE: WWW.BANJOCORP.COM
 E-MAIL: BANJOSALES@IDEXCORP.COM

DESCRIPTION
 EVX 1"FP 1.25"NPT 0.75S WWC 3W
 PART NUMBER
 EVX125