

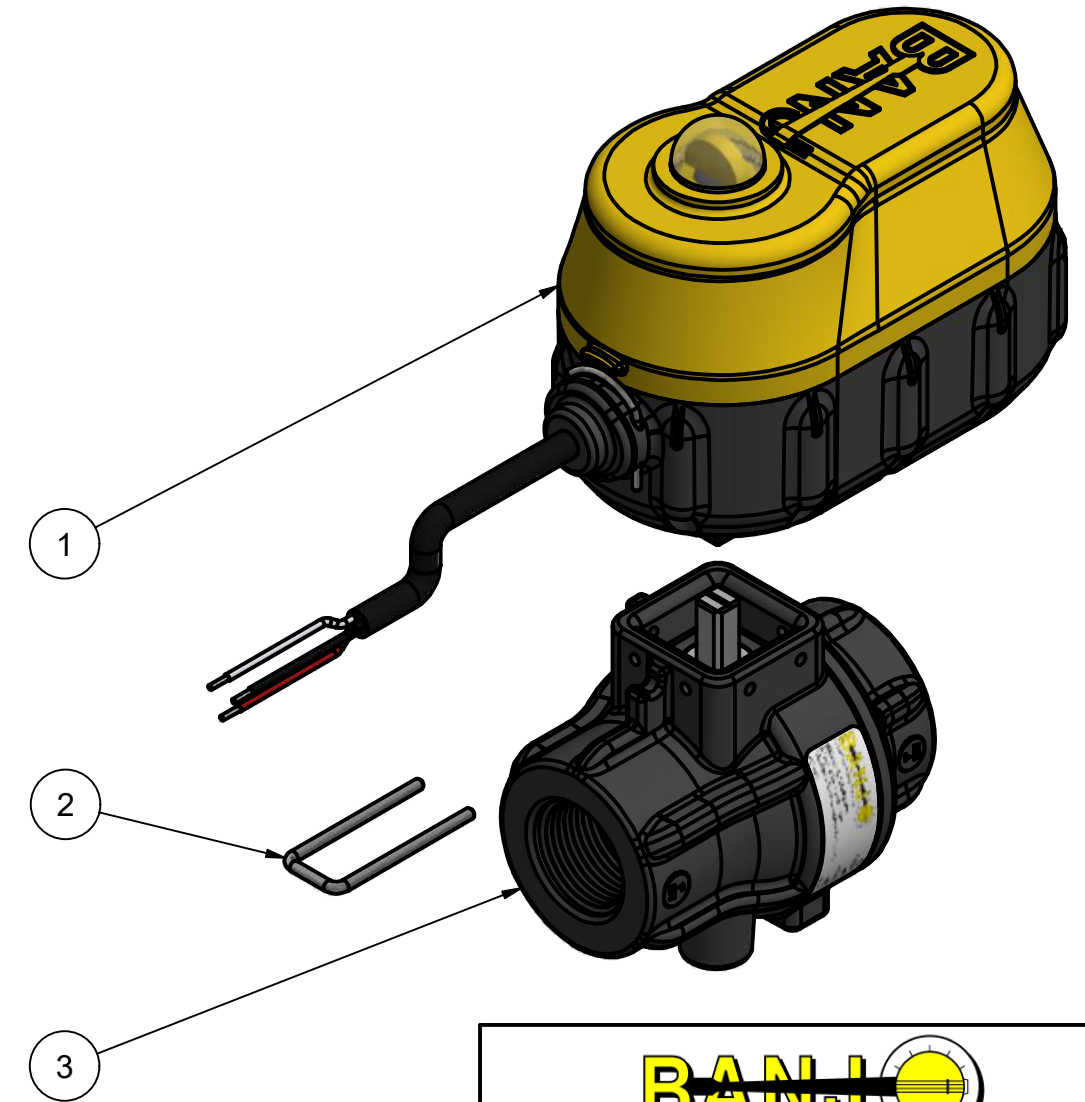
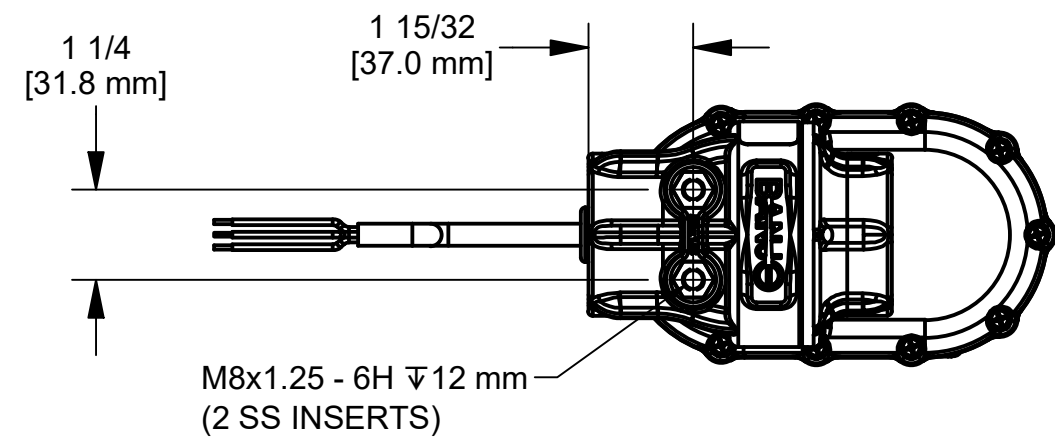
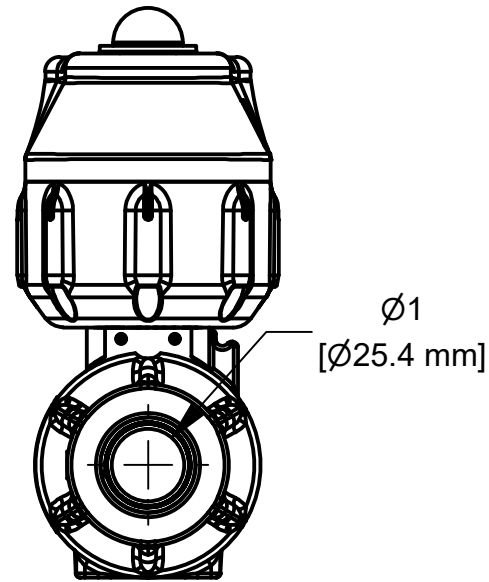
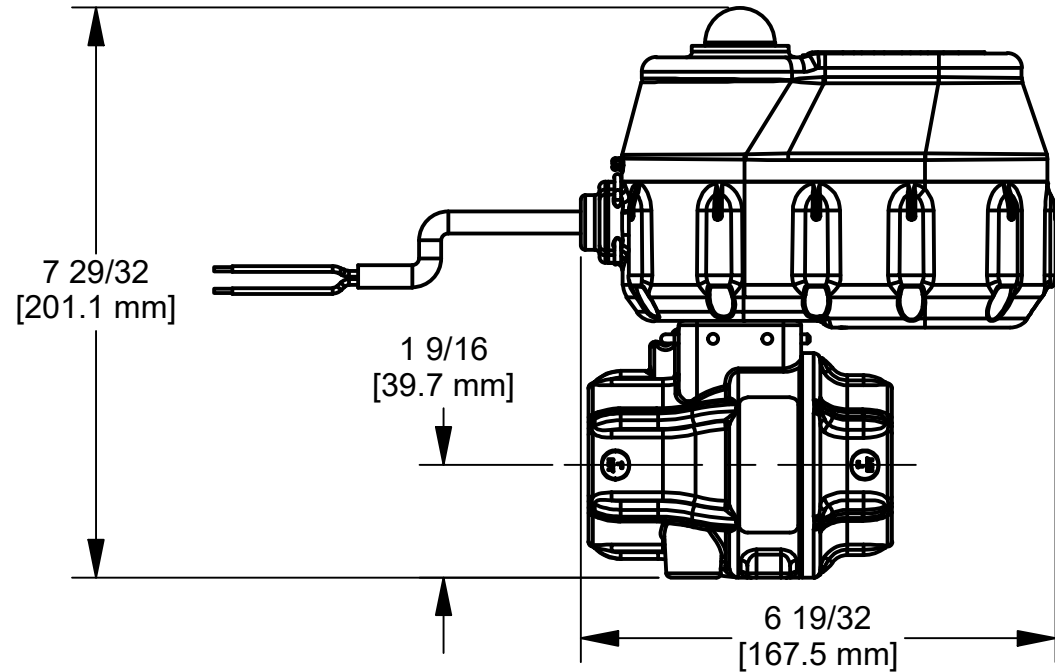
NOTES:

CABLE LENGTH: 18" ±1" FROM HOUSING.

WIRING:

RED = +12VDC
 BLACK = GND
 WHITE = +12VDC (OPEN), 0VDC (CLOSE)

Parts List			
ITEM	QTY	PART NUMBER	DESCRIPTION
1	1	EP21A10310	EVX ACT 0.75S WWC 3W
2	1	EVP20001	EV U-PIN
3	1	EVX100HX	1" NPT FP EV STUBBY VALVE ASSY
4	1	EVXBOX2	2" EVX BOX
5	1	EVXFOAMB2	2" EVX FOAM-BODY
6	3	EVXFOAMP2	2" EVX FOAM-PAD



THIS DRAWING AND ALL INFORMATION CONTAINED THEREON ARE THE EXCLUSIVE PROPERTY OF BANJO CORPORATION.

UNLESS SPECIFICALLY NOTED, THIS DRAWING AND ITEMS SHOWN ON THIS DRAWING ARE SUBJECT TO CHANGE AT ANY TIME.

BANJO CORPORATION

150 BANJO DRIVE, CRAWFORDSVILLE, IN 47933
 WEB SITE: WWW.BANJOCORP.COM
 E-MAIL: BANJOSALES@IDEXCORP.COM

DESCRIPTION
 EVX 1"FP 0.75S WWC 3W

PART NUMBER
 EVX100