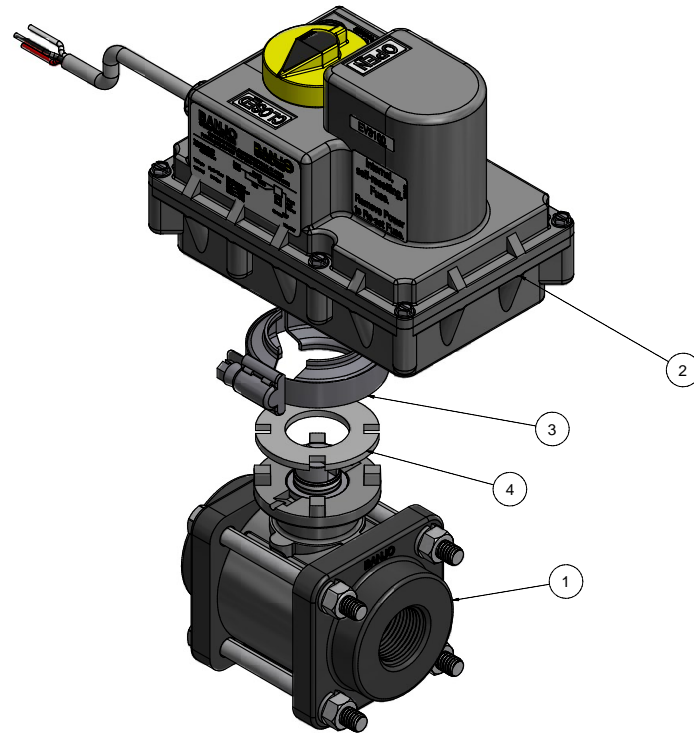
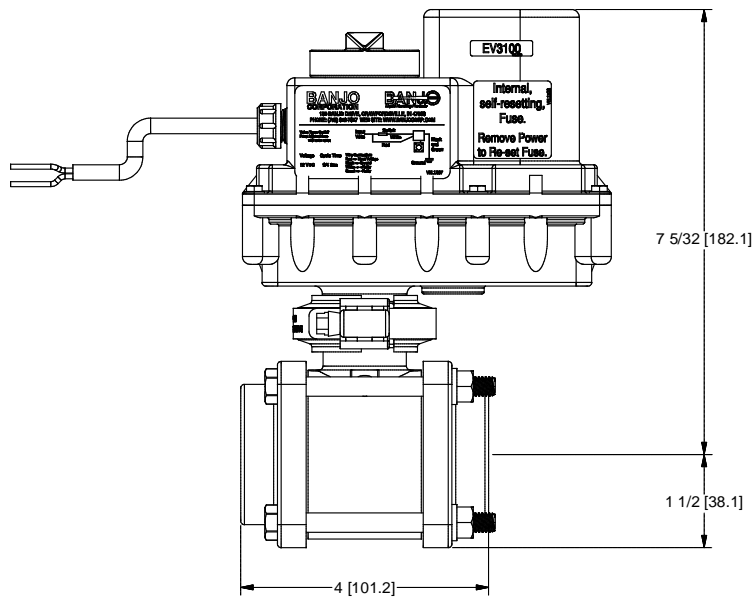
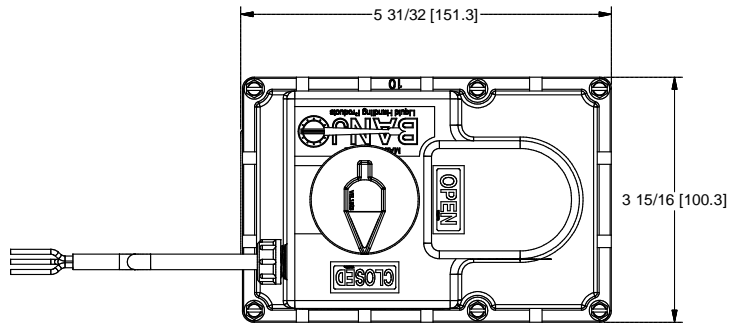


Parts List			
ITEM	QTY	PART NUMBER	DESCRIPTION
1	1	EV075XR1	3/4" Valve SubAssy
2	1	EV3100	3/4 Sec, 3 Wire EV Actuator Assy
3	1	FC100	1" HI TORQUE CLAMP
4	1	MVE004	MVE Mounting Breather



THIS DRAWING AND ALL INFORMATION CONTAINED THEREON ARE THE EXCLUSIVE PROPERTY OF BANJO CORPORATION. UNLESS SPECIFICALLY NOTED, THIS DRAWING AND ITEMS SHOWN ON THIS DRAWING ARE SUBJECT TO CHANGE AT ANY TIME.

**BANJO CORPORATION**  
 150 BANJO DRIVE, CRAWFORDSVILLE, IN 47933  
 WEB SITE: WWW.BANJOCORP.COM  
 E-MAIL: BANJOSALES@IDEXCORP.COM

DESCRIPTION  
 3/4" Electric Valve 3/4 Sec, 3 Wire, On/Off  
 PART NUMBER  
 EV075