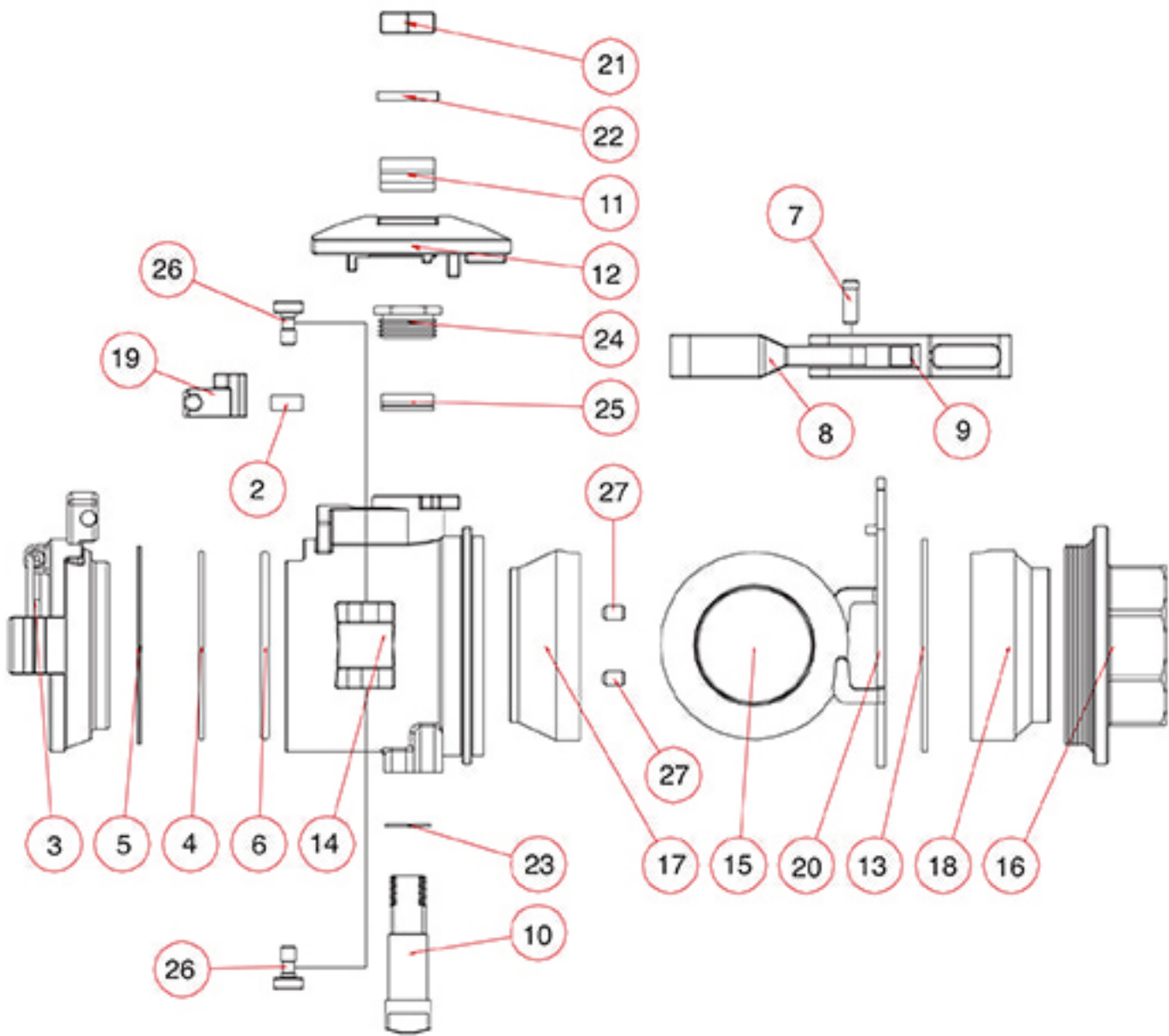
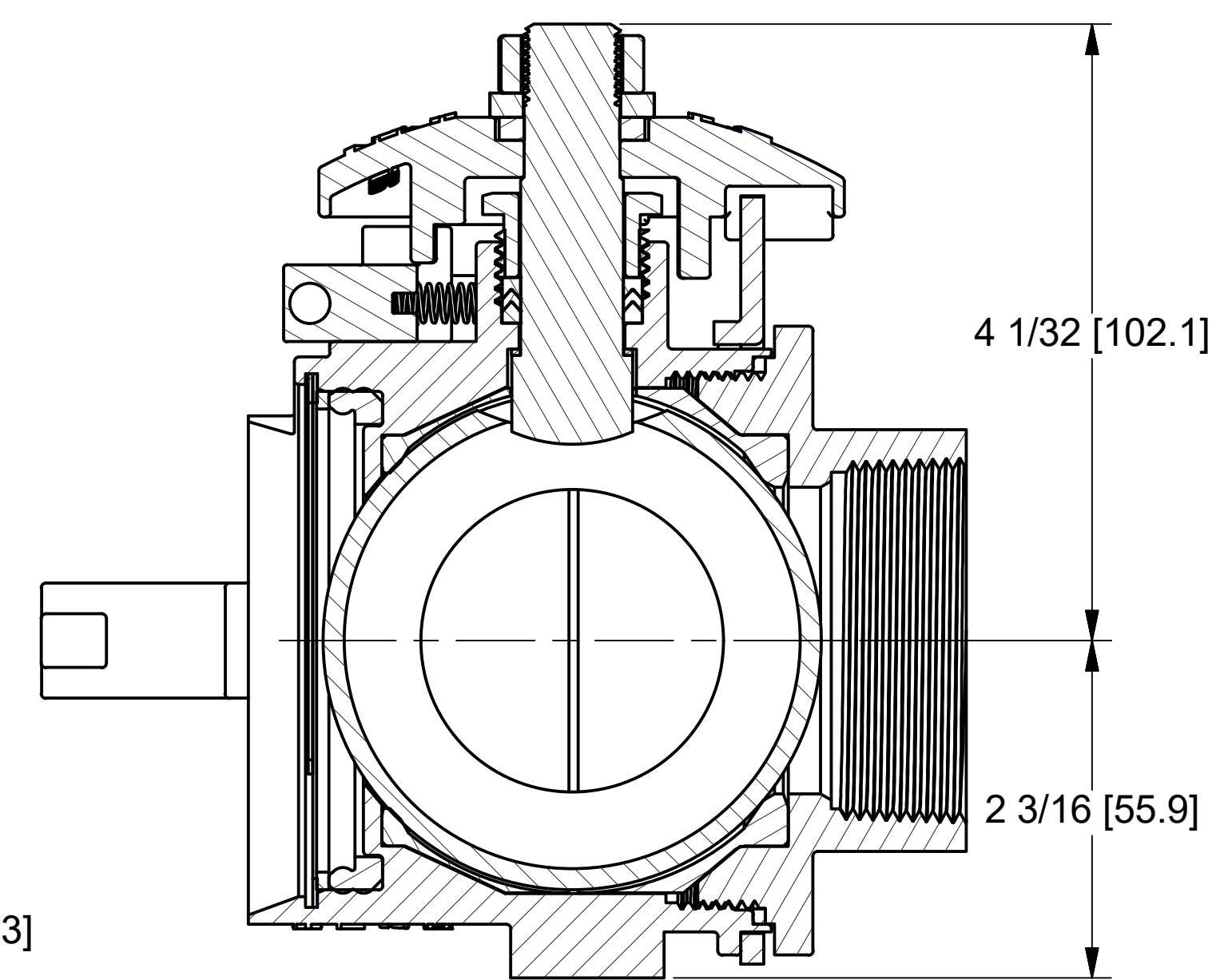
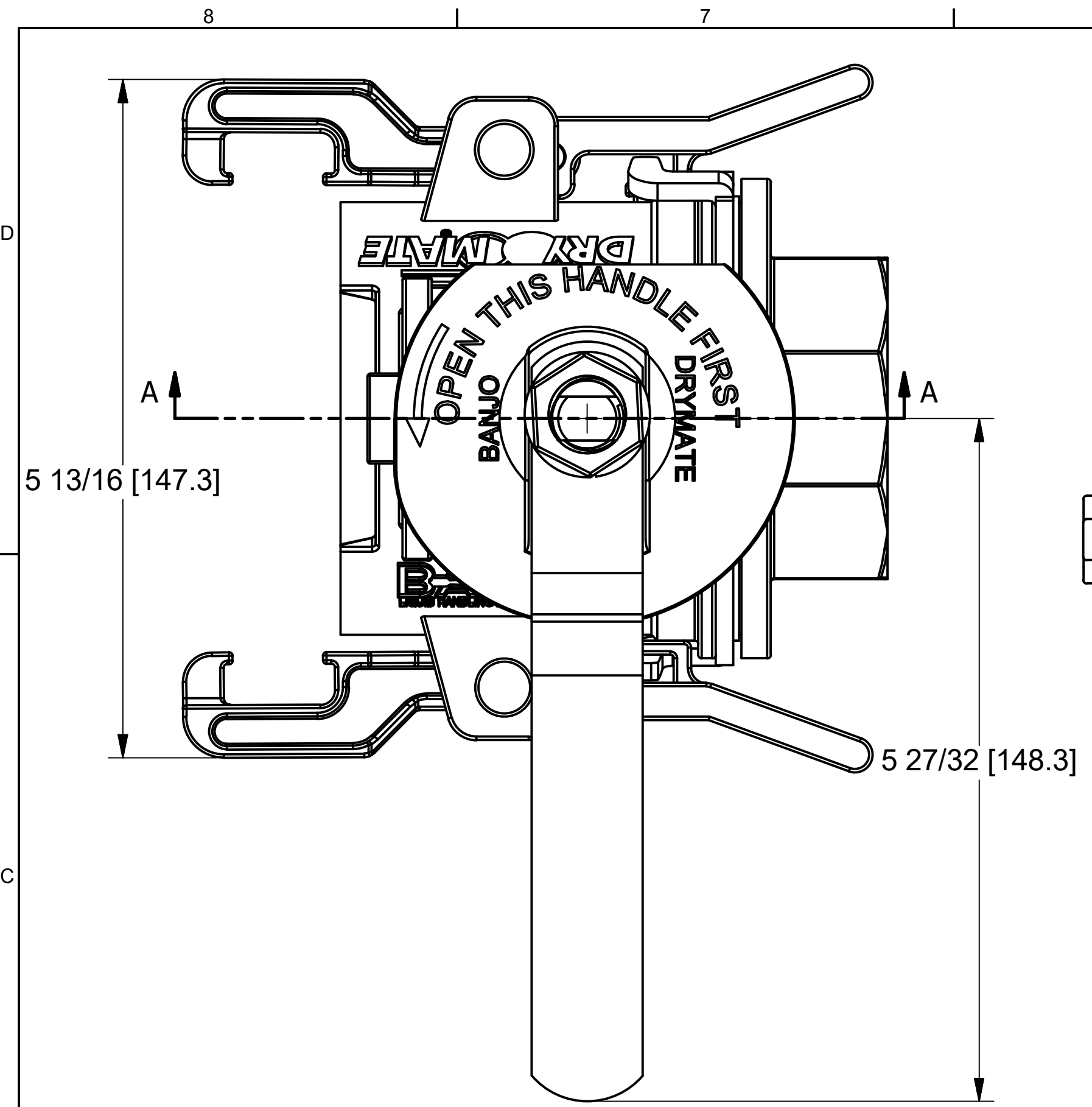


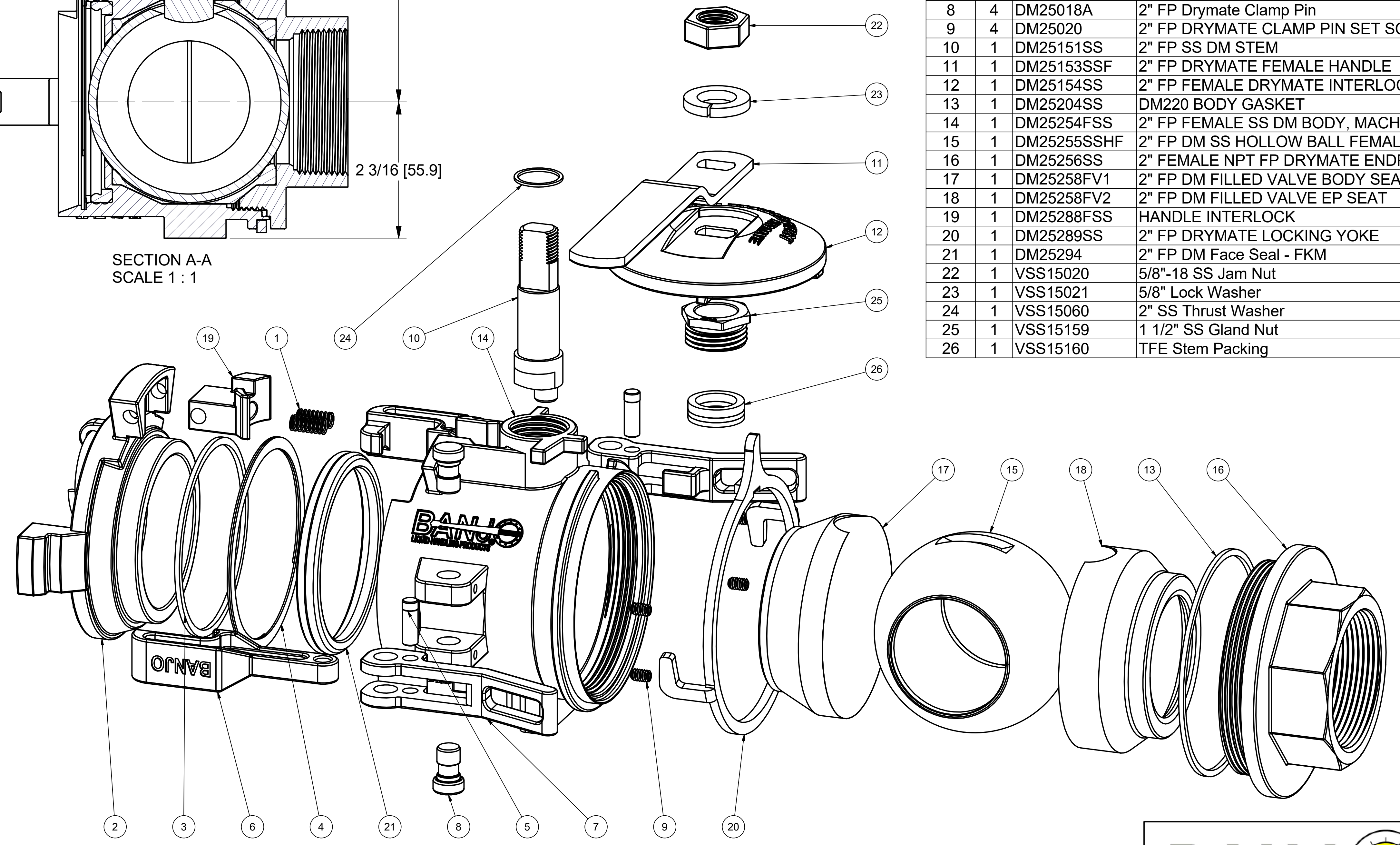
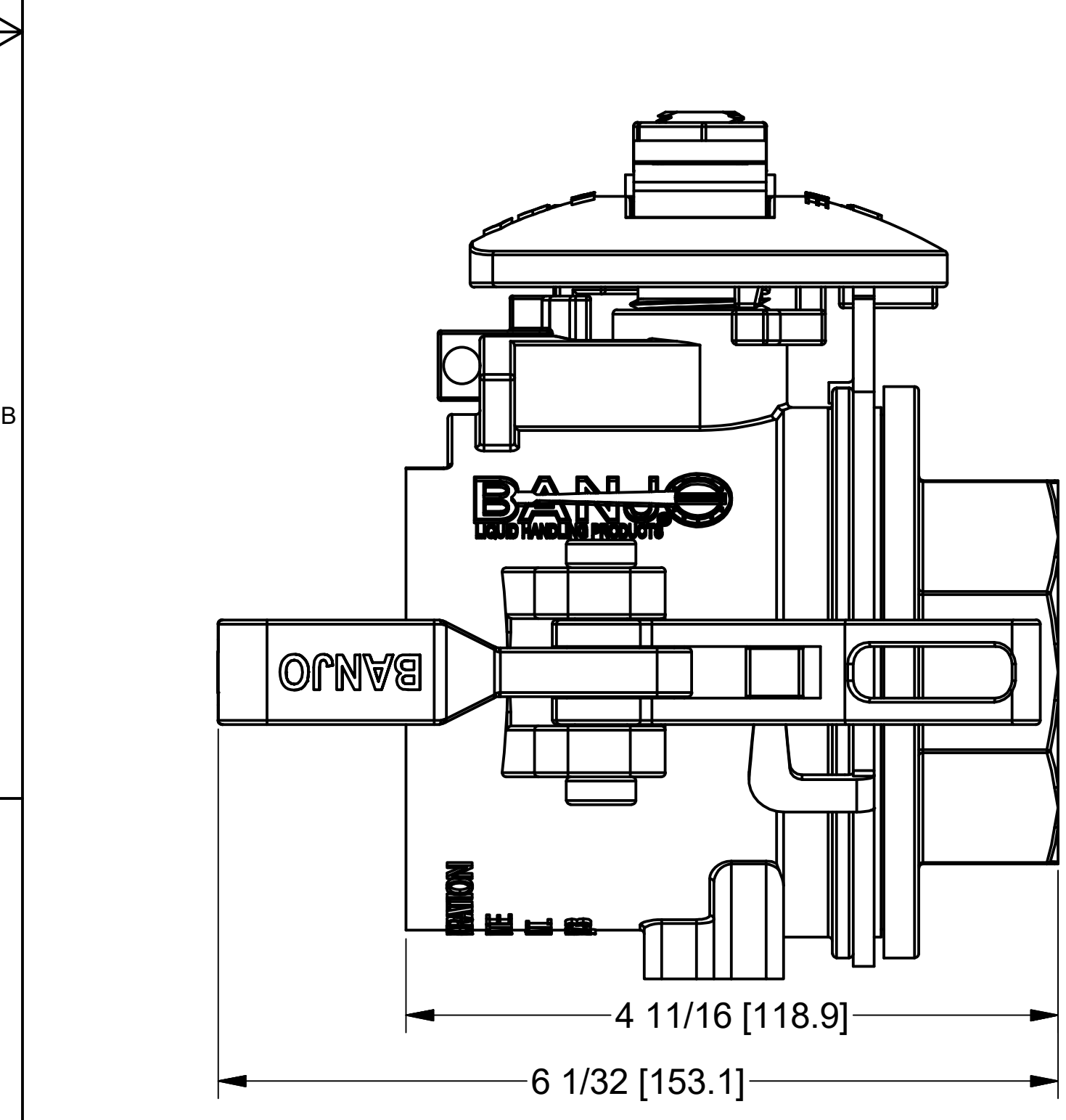
Part Number : DM220DSS



Item	Part No.	Description	Qty.
2	DB20281	Button Spring	2
3	DM220PL	Dust Plug	1
4	DM25001	Seal Ring	1
5	DM25002	Snap Ring	1
6	MLS234G	EPDM 234 O-Ring (old style)	1
6	MLS234GV*	FKM (viton type) 234 O-Ring (old style)	1
6	DM25294	2" FP FKM(viton type) Face Seal (new style)	1
7	DM25004	Groove Pin	2
8	DM25009	Clamp Arm	2
9	DM25010	Clamp Lever (old style)	2
9	DM25010A	Clamp Lever (new style)	2
10	DM25151SS	Stem	1
11	DM25153SSF	Female Handle	1
12	DM25154SS	Female Handle Interlock	1
13	DM25204SS*	Body Shim	4
14	DM25254FSS	Body	1
15	DM25255SSHf	Ball	1
16	DM25256SS	End Plate	1
17	DM25258FV1*	Filled Valve Body Seat PTFE	1
18	DM25258FV2*	Filled Valve Body Plate Seat PTFE	1
19	DM25288FSS	Interlock Button	1
20	DM25289SS	Locking Yoke	1
21	VSS15020	5/8" - 20 Jam Nut	1
22	VSS15021	5/8" Lock Washer	1
23	VSS15060*	Stem Packing	1
24	VSS15159	Packing Nut	1
25	VSS15160*	Stem Shim	1
26	DM25018	Cam Lever Pin (old style)	4
26	DM25018A	Cam Lever Pin (new style)	4
27	DM25020	#10- 24 x 5/16" Set Screw	4



SECTION A-A
SCALE 1 : 1



Parts List			
ITEM	QTY	PART NUMBER	DESCRIPTION
1	2	DB20281	Dry Mate Handle Interlock Spring
2	1	DM220PL	2" FP DM Dust Plug
3	1	DM25001	DM220 Seal Back
4	1	DM25002	2" FP SS DM SEAL RETAINING RING
5	2	DM25004	2" FP Drymate Clamp To Arm Pin
6	2	DM25009	2" FP DM CLAMP ARM
7	2	DM25010A	2" FP DRYMATE CLAMP LEVER
8	4	DM25018A	2" FP Drymate Clamp Pin
9	4	DM25020	2" FP DRYMATE CLAMP PIN SET SCREW
10	1	DM25151SS	2" FP SS DM STEM
11	1	DM25153SSF	2" FP DRYMATE FEMALE HANDLE
12	1	DM25154SS	2" FP FEMALE DRYMATE INTERLOCK
13	1	DM25204SS	DM220 BODY GASKET
14	1	DM25254FSS	2" FP FEMALE SS DM BODY, MACHINED
15	1	DM25255SSHF	2" FP DM SS HOLLOW BALL FEMALE
16	1	DM25256SS	2" FEMALE NPT FP DRYMATE ENDPLATE
17	1	DM25258FV1	2" FP DM FILLED VALVE BODY SEAT
18	1	DM25258FV2	2" FP DM FILLED VALVE EP SEAT
19	1	DM25288FSS	HANDLE INTERLOCK
20	1	DM25289SS	2" FP DRYMATE LOCKING YOKE
21	1	DM25294	2" FP DM Face Seal - FKM
22	1	VSS15020	5/8"-18 SS Jam Nut
23	1	VSS15021	5/8" Lock Washer
24	1	VSS15060	2" SS Thrust Washer
25	1	VSS15159	1 1/2" SS Gland Nut
26	1	VSS15160	TFE Stem Packing



THIS DRAWING AND ALL INFORMATION CONTAINED THEREON ARE THE EXCLUSIVE PROPERTY OF BANJO CORPORATION.

UNLESS SPECIFICALLY NOTED, THIS DRAWING AND ITEMS SHOWN ON THIS DRAWING ARE SUBJECT TO CHANGE AT ANY TIME.

BANJO CORPORATION
150 BANJO DRIVE, CRAWFORDSVILLE, IN 47933
WEB SITE: WWW.BANJO.CORP.COM
E-MAIL: BANJOSALES@DEXCORP.COM

DESCRIPTION
2" FP SS DRYMATE

PART NUMBER
DM220DSS