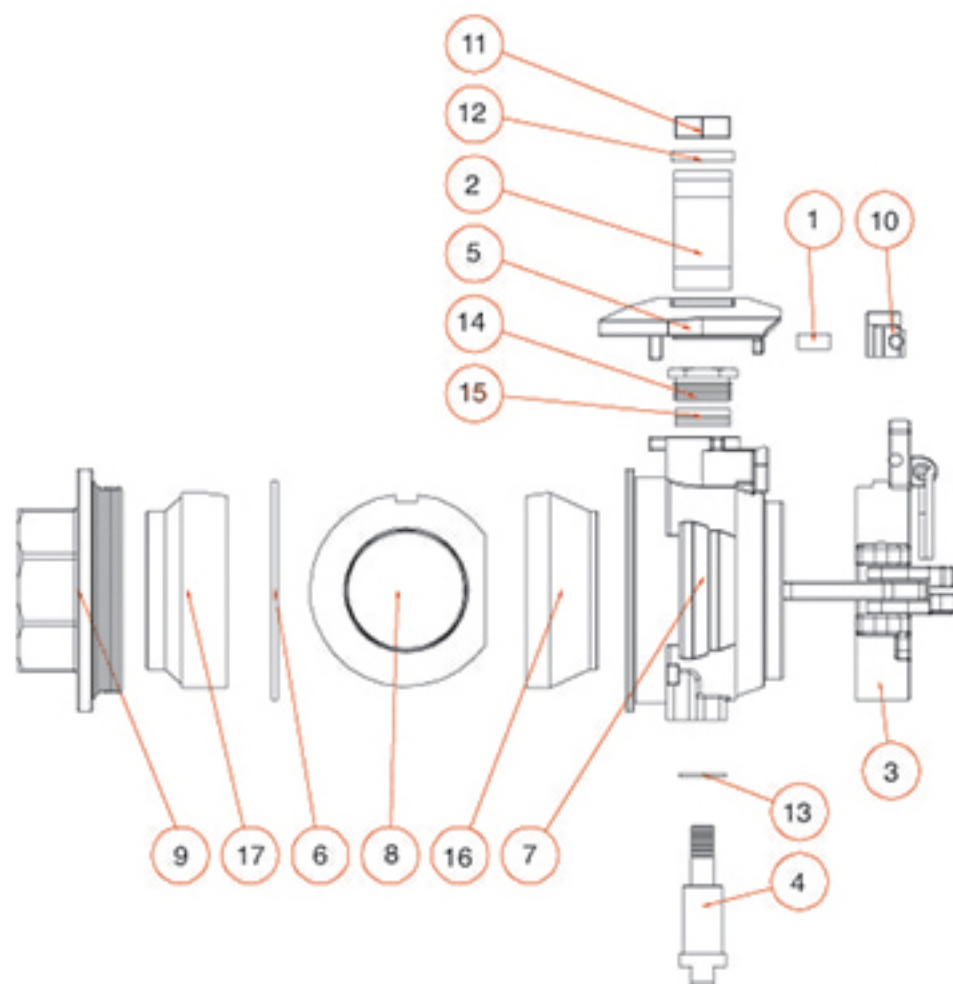
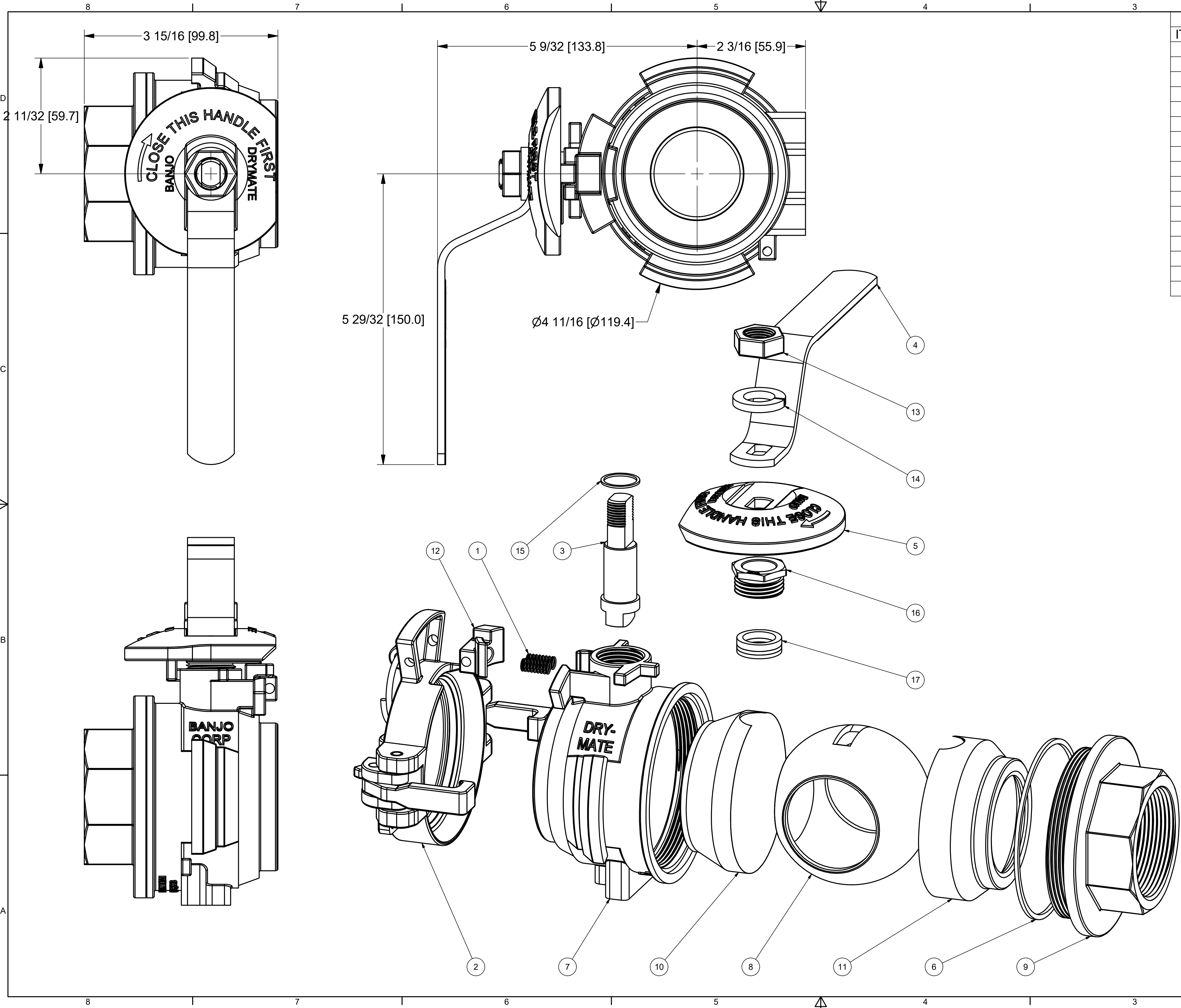


Part Number : DM220ASS



Item	Part No.	Description	Qty.
1	DB20281	Button Spring	2
2	DM25153SSM	2" Male Handle	1
3	DM220CAP	Dust Cap	1
4	DM25151SS	Stem	1
5	DM25155SS	Male Handle Interlock	1
6	DM25204SS*	Body Shim	1
7	DM25254MSS	Body	1
8	DM25255SSH	Ball	1
9	DM25256SS	End Plate	1
10	DM25288MSS	Safety Button	1
11	VSS15020	5/8" - 20 Jam Nut	1
12	VSS15021	5/8" Lock Washer	1
13	VSS15060*	Stem Packing	1
14	VSS15159	Packing Nut	1
15	VSS15160*	Stem Shim	1
16	DM25258FV1*	Filled Valve Body Seat	1
17	DM25258FV2*	Filled Valve End Plate Seat	1
18	DM221SS	Repair Kit	1



Parts List			
ITEM	QTY	PART NUMBER	DESCRIPTION
1	2	DB20281	Dry Mate Handle Interlock Spring
2	1	DM220CAP	2" FP DM Dust CAP
3	1	DM25151SS	2" FP SS DM STEM
4	1	DM25153SSM	2" FP DRYMATE MALE HANDLE
5	1	DM25155SS	2" FP MALE DRYMATE INTERLOCK
6	1	DM25204SS	DM220 BODY GASKET
7	1	DM25254MSS	2" FP MALE SS DM BODY MACHINED
8	1	DM25255SSH	2" FP DM SS Hollow Ball
9	1	DM25256SS	2" FEMALE NPT FP DRYMATE ENDPLATE
10	1	DM25258FV1	2" FP DM FILLED VALVE BODY SEAT
11	1	DM25258FV2	2" FP DM FILLED VALVE EP SEAT
12	1	DM25288MSS	2" FP SS DM MALE INTERLOCK BUTTON
13	1	VSS15020	5/8"-18 SS Jam Nut
14	1	VSS15021	5/8" Lock Washer
15	1	VSS15060	2" SS Thrust Washer
16	1	VSS15159	1 1/2" SS Gland Nut
17	1	VSS15160	TFE Stem Packing

THIS DRAWING AND ALL INFORMATION CONTAINED THEREON ARE THE EXCLUSIVE PROPERTY OF BANJO CORPORATION.

UNLESS SPECIFICALLY NOTED, THIS DRAWING AND ITEMS SHOWN ON THIS DRAWING ARE SUBJECT TO CHANGE AT ANY TIME.

BANJO CORPORATION
 150 BANJO DRIVE, CRAWFORDSVILLE, IN 47933
 WEB SITE: WWW.BANJO.CORP.COM
 E-MAIL: BANJOSALES@DEXCORP.COM

DESCRIPTION
2" FP SS MALE DRYMATE

PART NUMBER
DM220ASS