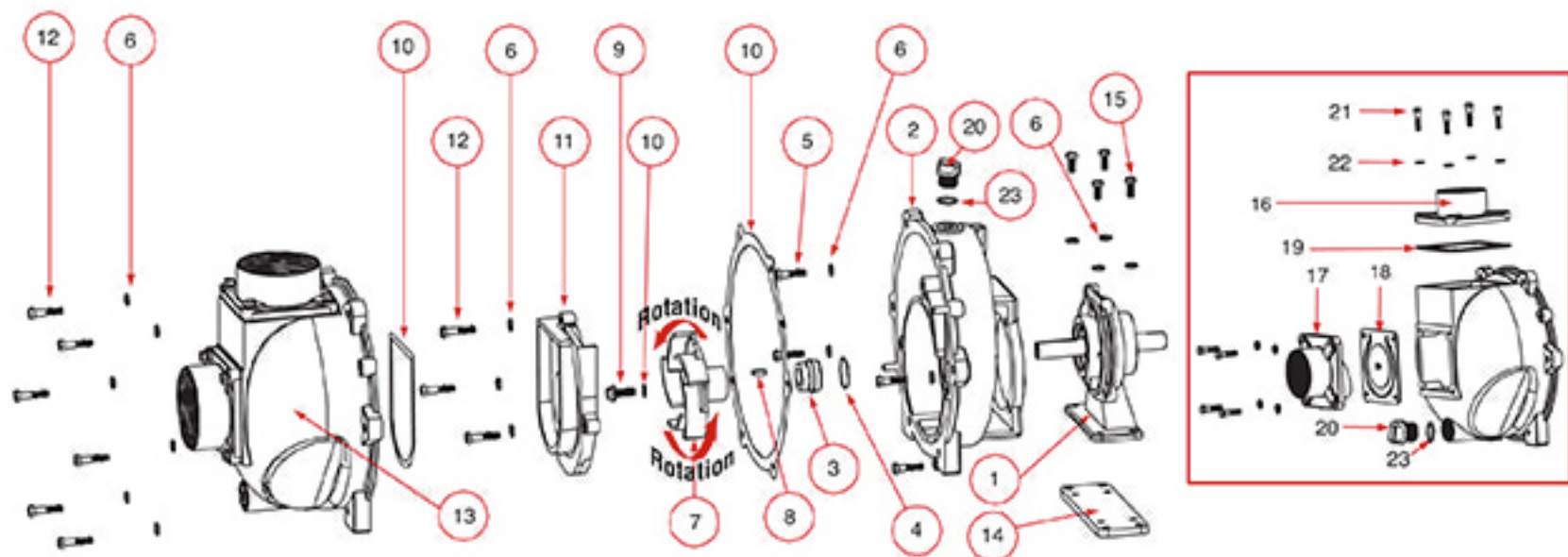
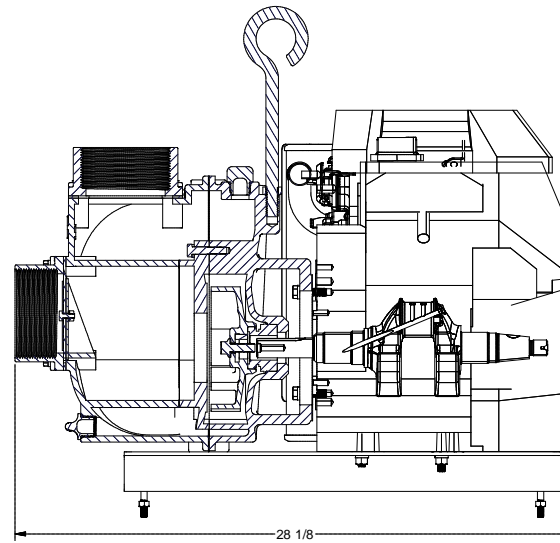
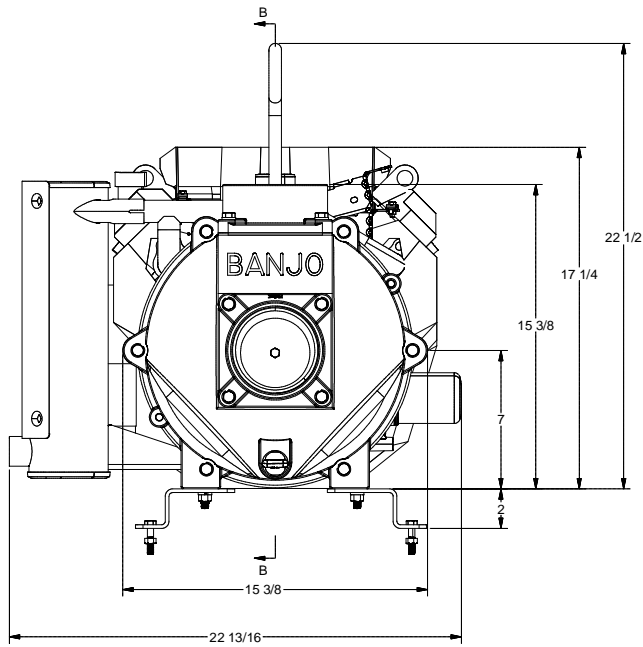


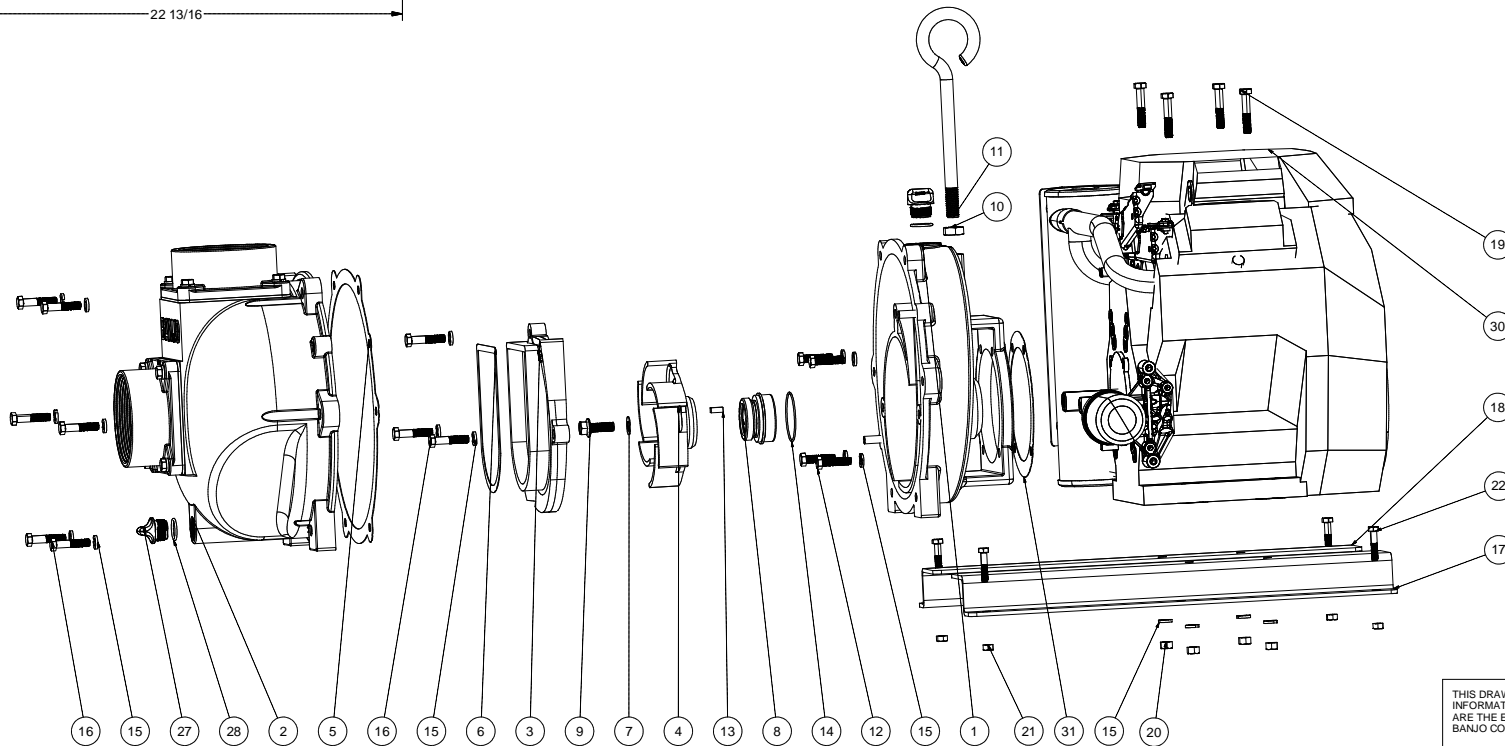
## Part Number : 444PIH24



Item	Part No.	Description	Qty.
2	16707	Rear Bracket	1
3	18435	Mechanical Seal	1
4	16710	O-Ring	1
5	17704	3/8" - 16 x 1.25" SS Cap Screw	4
6	V20018	3/8" SS Lock Washer	13
7	16775	3" Impeller	1
8	16901	1/4" SQ. 3/4" Key Stock	1
9	16765	Impeller Bolt	1
10	16019	Gasket Set	1
11	16702	Volute	1
12	V20011SS	3/8" - 16 x 1.75" SS Bolt	9
13	16712	Body	1
16	16000	Outlet Flange	1
17	16002	Inlet Flange	1
18	16706	Inlet Gasket w/ Check	1
19	16011	Outlet Gasket	1
20	13777	Plug	2
21	18027	3/8" - 16 x 1.50" HHCS	8
22	V20018	3/8" SS Lock Washer	8
23	13778	O-Ring	2



Parts List			
ITEM	QTY	PART NUMBER	DESCRIPTION
1	1	16707	4" PUMP REAR BRACKET ASSY
2	1	16712	4" PUMP BODY ASSY
3	1	16702	4" PUMP VOLUTE
4	1	16775	6 VANE IMPELLER FOR 4" PUMP
5	1	16019A	GASKET
6	1	16019B	GASKET
7	1	16019C	GASKET
8	1	18435	4" PUMP MECH. SEAL ASSY
9	1	16765	7/16-20 X 1 1/4" HFS
10	1	18034	5/8-11 JAM NUT
11	1	18033	PUMP HANDLE
12	4	18027	3/8-16 X 1 1/2" HHCS
13	1	16901	1/4" SQ. KEY
14	1	V10264	#3/8 O'RING
15	17	V20018	3/8" LOCKWASHER
16	9	V20011SS	3/8-16 X 1 3/4" HHCS
17	1	16033A	Z-RAIL
18	1	16033B	Z-RAIL
19	4	V20010	3/8-16 X 2" HHCS
20	4	V20019	3/8" HEX NUT
21	4	V10119	5/16" HEX NUT
22	4	17034	5/16-18 X 1-1/2" HHCS
23	1	16752	IMPELLER SHIM (N/S), AS NEEDED
24	1	E20T	FUEL TANK (N/S)
25	1	12910	PUMP DECAL (N/S)
26	1	E20FL	FUEL LINE (N/S)
27	2	13777	3/4" DRAIN PLUG
28	2	13778	2-119 O'RING
29	1	MUF0497R	MUFFLER FOR 690 HONDA
30	1	E24H	HONDA GX690
31	1	16751	GASKET SHIM SET



THIS DRAWING AND ALL INFORMATION CONTAINED THEREON ARE THE EXCLUSIVE PROPERTY OF BANJO CORPORATION.

UNLESS SPECIFICALLY NOTED, THIS DRAWING AND ITEMS SHOWN ON THIS DRAWING ARE SUBJECT TO CHANGE AT ANY TIME.



**BANJO CORPORATION**  
 150 BANJO DRIVE, CRAWFORDSVILLE, IN 47933  
 WEB SITE: WWW.BANJOCCORP.COM  
 E-MAIL: SALES@BANJOCCORP.COM

DESCRIPTION  
 4" CI PUMP W/ 24 HP HONDA

PART NUMBER  
 444PIH24