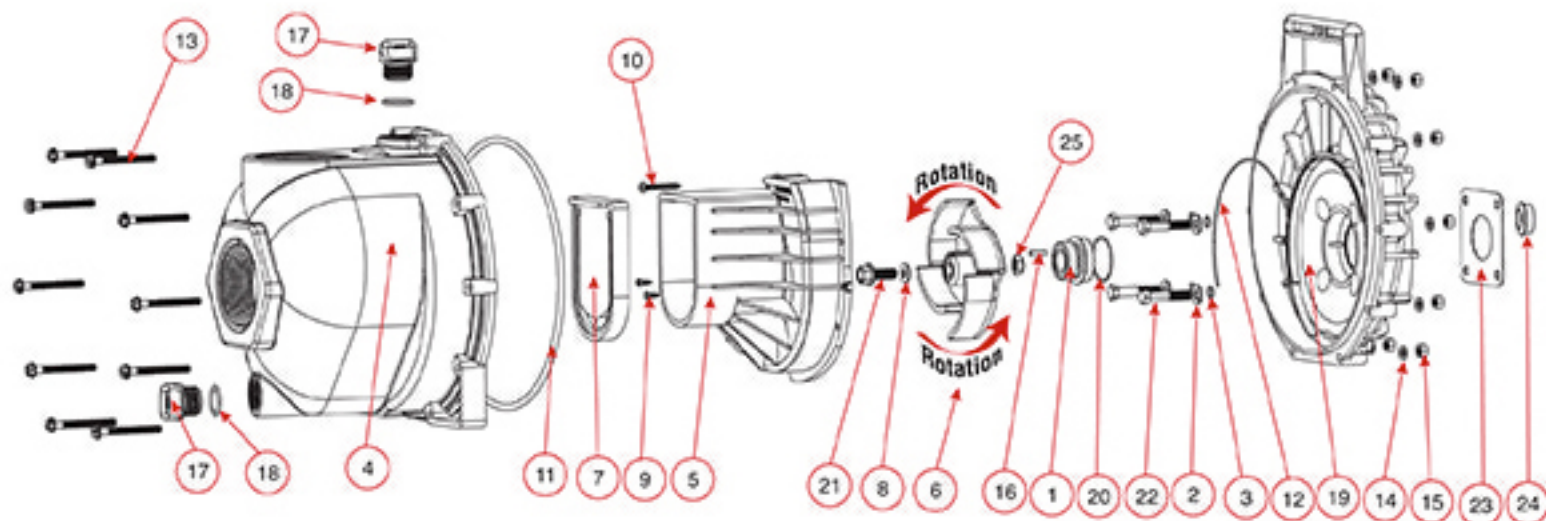
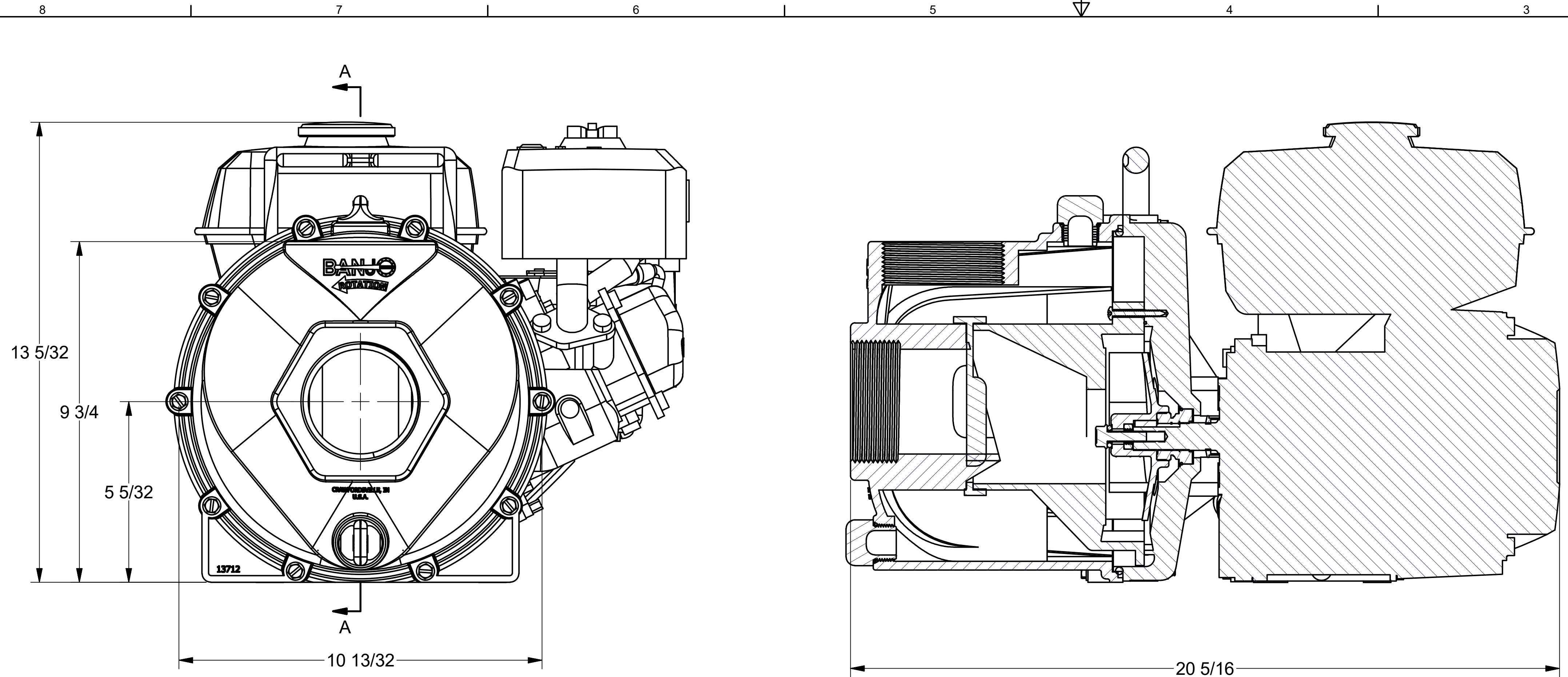


## Part Number : 300PH-6

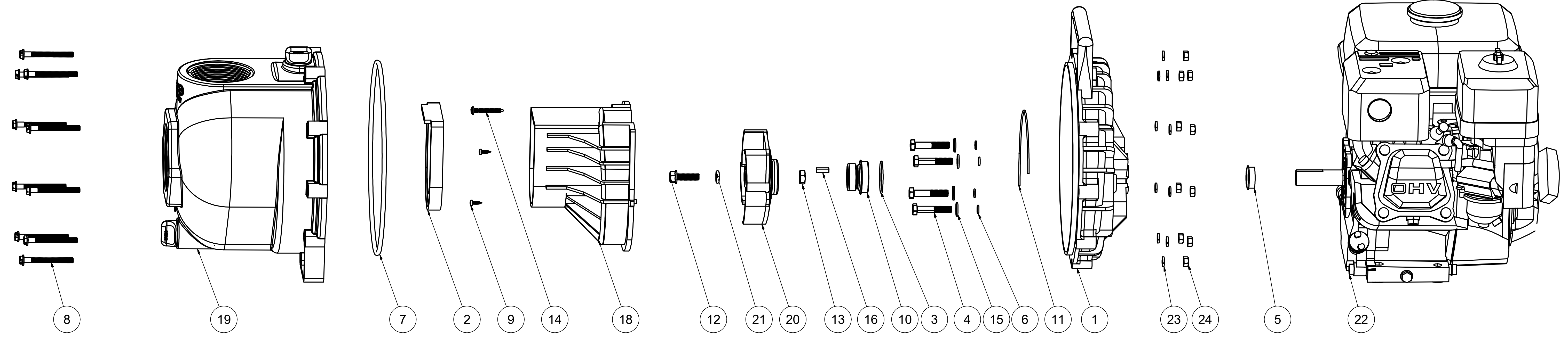



Item	Part No.	Description	Qty.
1	12713	Seal Assembly	1
2	12901	SS Rear Bracket Washer	4
3	12717	O-Ring for Screw Head	4
4	13712	Body Assembly	1
5	13702	Poly Pump Volute	1
6	13771	4 Vane Impeller	1
7	12705	Check Valve	1
8	12774VA	Impeller Bolt Gasket	1
9	12900	SS Upper Volute Screw	4
10	12725	SS Volute Screws	2
11	12719A	Body O-Ring	1
12	12754	O-Ring Segment	1
13	12720	SS Body Screws	10
14	V07018	SS Lock Washers	10
15	V07019	SS Body Nuts	10
16	12902A	Impeller Key	1
17	13777	Prime/Drain Plug	2
18	13778	Prime/Drain Plug O-Ring	2
19	12703A	Poly Pump Rear Bracket	1
20	12710	O-Ring for Seal Assembly	1
21	12765A	SS Impeller Bolt 5/16 x 24 x 1.12 (300PH-6)	1
22	12715A	SS Bracket Screws	4
23	15751	Rear Bracket Shim	1
24	12716	Poly Pump Slinger	1
25	12775A	Impeller Hex Nut	1





Parts List			
ITEM	QTY	PART NUMBER	DESCRIPTION
1	1	12703A	POLY PUMP REAR BRACKET
2	1	12705	PUMP CHECKVALVE, EPDM
3	1	12710	#029 O-RING
4	4	12715A	5/16-24 X 1 3/4" HHCS WITH TORQ-PATCH
5	1	12716	PUMP SLINGER
6	4	12717	#11 O-RING, EPDM
7	1	12719A	#375 O-RING, EPDM
8	10	12720	1/4-20 X 2 1/2" SL IND HWHS
9	2	12725	#6 X 1/2" PPH SMS
10	1	12733	MECH. SEAL ASSY.
11	1	12754	O-RING SEGMENT
12	1	12765A	5/16-24 X 1 1/8" HFS
13	1	12775A	7/16-14 HEX NUT
14	1	12900	#10 X 1 1/2" PPH SMS
15	4	12901	5/16" FLAT WASHER
16	1	12902A	3/16" SQ. X 5/8" KEY
17	1	12910	PUMP DECAL (N/S)
18	1	13702	3" POLY PUMP VOLUTE
19	1	13712	3" POLY PUMP BODY ASSY.
20	1	13771	3" POLY PUMP TRIMMED IMPELLER
21	1	A204	#204 O-RING, EPDM
22	1	E6H	6.5 HP HONDA
23	10	V07018	1/4" LOCKWASHER
24	10	V07019	1/4-20 HEX NUT



  
**BANJO CORPORATION**  
 150 BANJO DRIVE, CRAWFORDSVILLE, IN 47933  
 WEB SITE: WWW.BANJOCORP.COM  
 E-MAIL: SALES1@BANJOCORP.COM  
 DESCRIPTION  
 3" POLY PUMP W/ 6HP HONDA  
 PART NUMBER  
 300PH-6

THIS DRAWING AND ALL INFORMATION CONTAINED THEREON ARE THE EXCLUSIVE PROPERTY OF BANJO CORPORATION.  
 UNLESS SPECIFICALLY NOTED, THIS DRAWING AND ITEMS SHOWN ON THIS DRAWING ARE SUBJECT TO CHANGE AT ANY TIME.