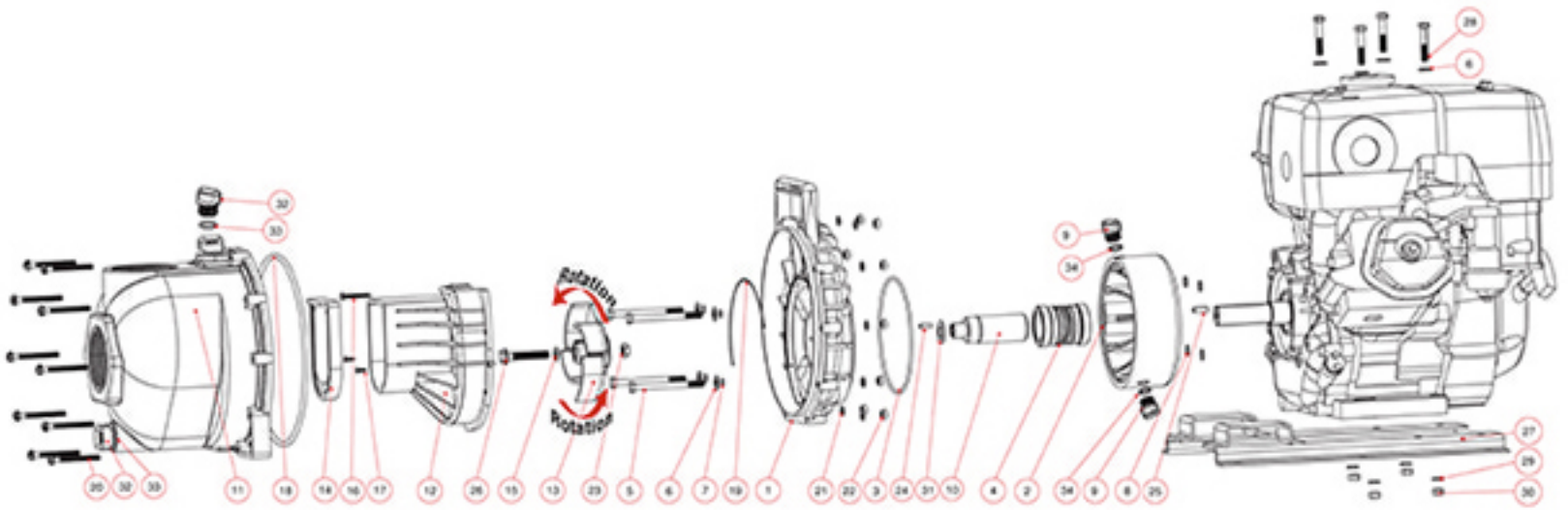
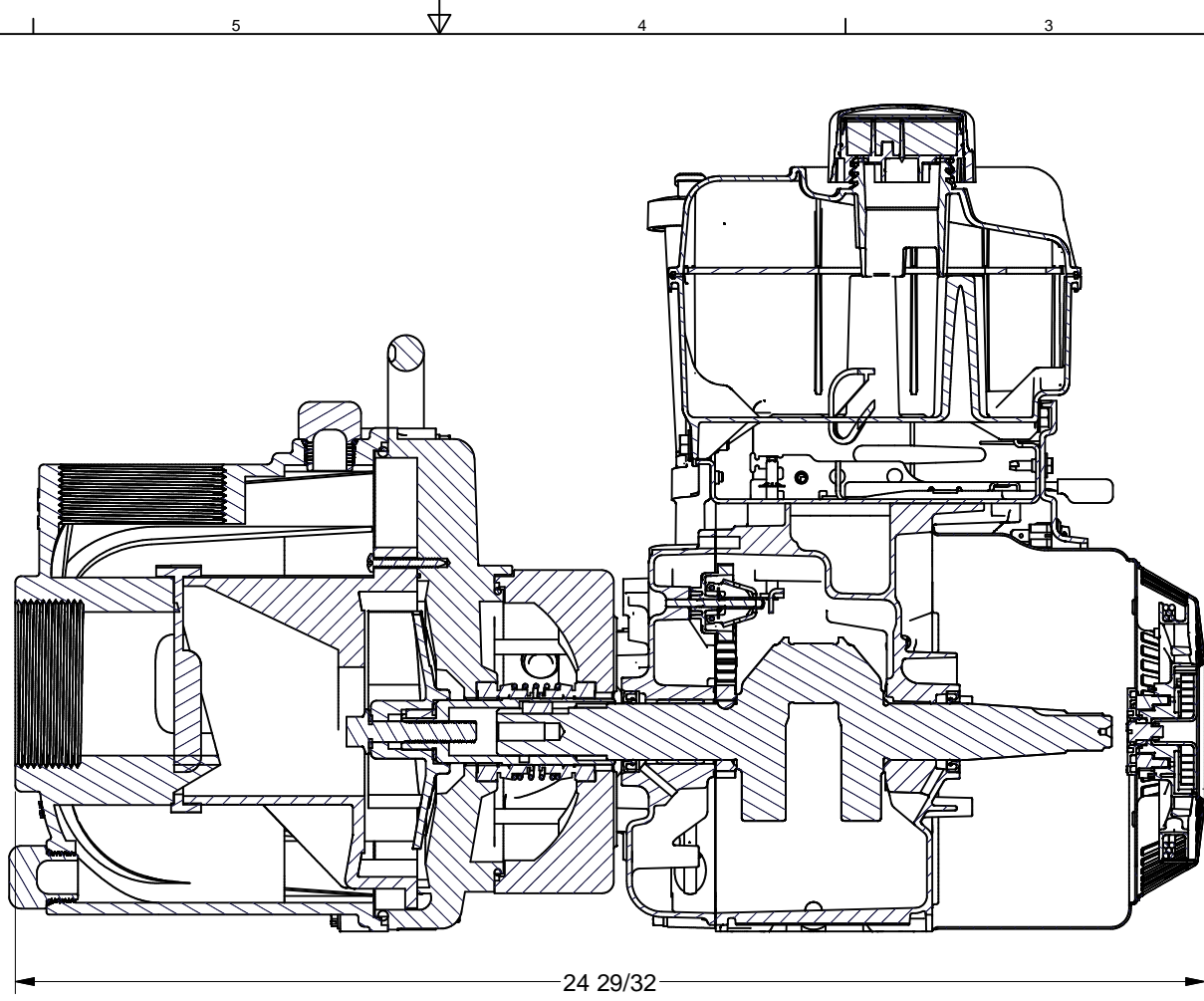
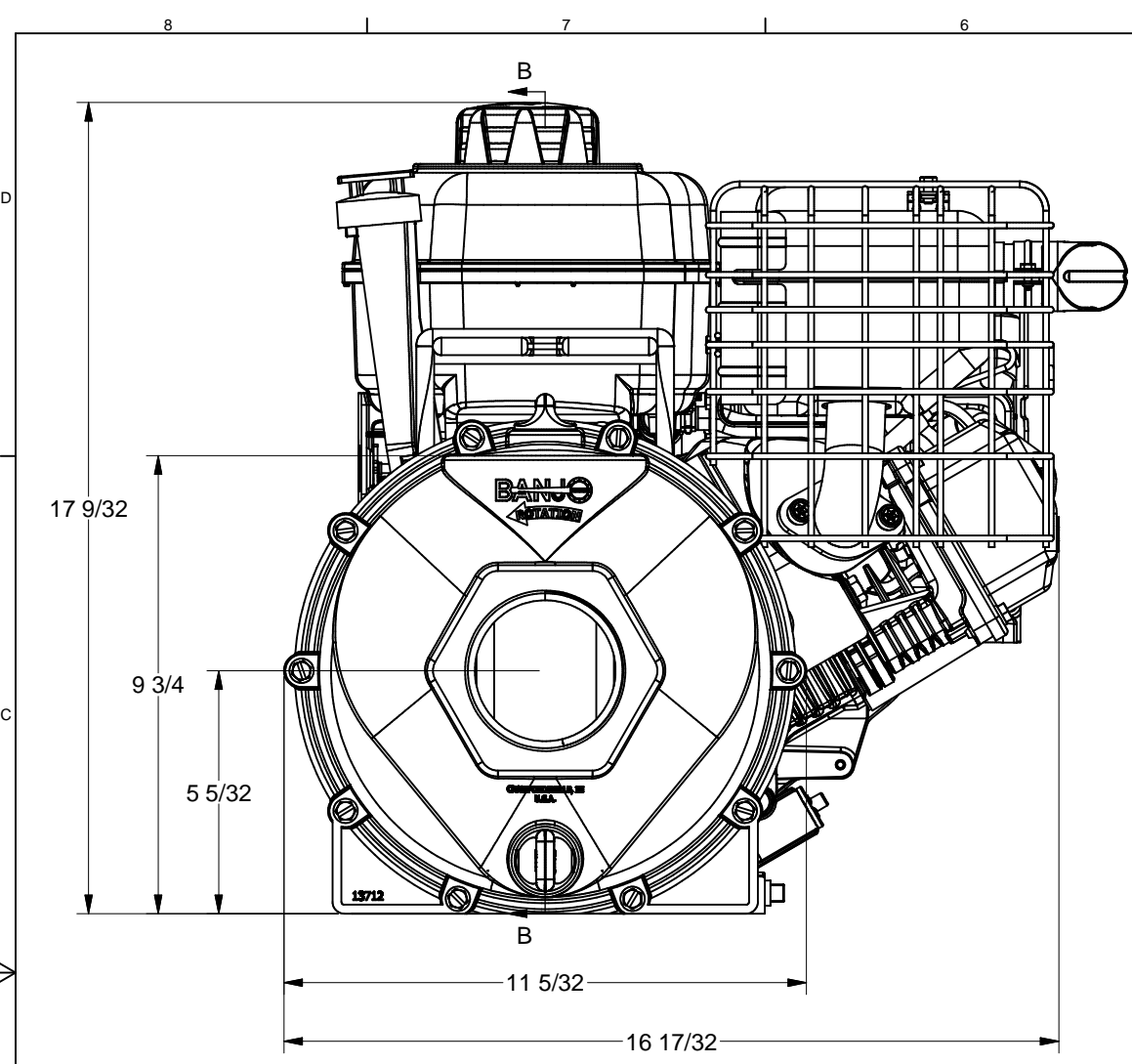


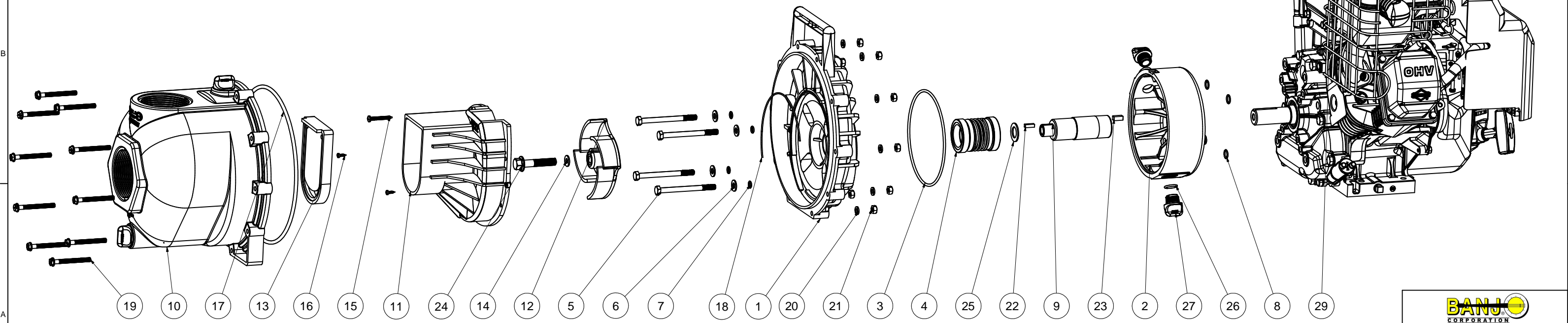
**Part Number : 300P11PROW**



Item	Part No.	Description	Qty.
1	12703AW	Wet Seal Rear Bracket for 11 HP Honda® Engine & 11 HP Briggs & Stratton® Engine	1
2	12201W	Wet Seal Reservoir for 11 HP Honda® Engine & 11 HP Briggs & Stratton® Engine	1
3	13719	O-Ring	1
4	15035E	Mechanical Seal Assembly	1
5	12034	5/16" - 24 x 3 3/4" HHCS	4
6	12901	5/16" Flat Washer	8
7	12717	O-Ring for Bracket Screw	4
8	12709	O-Ring	4
9	12777	Drain Plug	2
10	13055	Adapter Shaft for 11 HP Honda® Engine & 11 HP Briggs & Stratton® Engine	1
11	13712	Body Assembly	1
12	13702	Volute	1
13	13772	Impeller	1
14	12705	Check Valve	1
15	12774VA	Impeller Bolt Gasket	1
16	12900	#10 x 1 1/2" PPH SMS 18-8 SS	1
17	12725	#6 x 1/2" PPH SMS 18-8 SS	1
18	12719A	Body O-Ring	1
19	12754	O-Ring Segment	1
20	12720	1/4" - 20 x 2 1/2" SI Ind HWHS	10
21	V07018	1/4" Lock Washer	10
22	V07019	1/4" - 20 Hex Nut	10
23	12775A	7/16" -14 Hex Nut	1
24	12902A	3/16" SQ. x 5/8" Key	1
25	16901	1/4" SQ. 3/4" Key Stock	1
26	13766	3/8" - 24 x 2 1/4" HFS for 11 HP Honda® Engine & 11 HP Briggs & Stratton® Engine	1
27	18135A	Z-Rail	1
27	18135B	Z-Rail	1
28	17029	5/16" - 18 x 1.75" HHCS	4
29	V10118	5/16" Lock Washer	4
30	V10119	5/16" - 18 UNC SS Hexnut	4
31	CV10175	Gasket	1
32	13777	Drain Plug	2
33	13778	O-Ring	2
34	UV15163	O-Ring	2



Parts List			
ITEM	QTY	PART NUMBER	DESCRIPTION
1	1	12703AW	3" W.S. REAR BRACKET
2	1	12201W	3" WET SEAL RESERVOIR
3	1	13719	#256 O-RING
4	1	15035E	MECH. SEAL ASSY., EPDM
5	4	12034	5/16 - 24 X 3 3/4" HHCS
6	4	12901	5/16" FLAT WASHER
7	4	12717	#11 O-RING
8	4	12709	#13 O-RING
9	1	13155	ADAPTER SHAFT
10	1	13712	3" POLY PUMP BODY ASSY.
11	1	13702	3" POLY PUMP VOLUTE
12	1	13772	3" POLY PUMP IMPELLER
13	1	12705	CHECKVALVE
14	1	12774VA	IMPELLER BOLT GASKET
15	1	12900	#10 X 1 1/2" PPH SMS
16	2	12725	#6 X 1/2" PPH SMS
17	1	12719A	#375 O-RING
18	1	12754	O-RING SEGMENT
19	10	12720	1/4-20 X 2 1/2" SL IND HWHS
20	10	V07018	1/4" LOCKWASHER
21	10	V07019	1/4-20 HEX NUT
22	1	12902A	3/16" SQ. X 5/8" KEY
23	1	16901	1/4" SQ. KEY
24	1	14766	7/16-20 X 2 1/2" HFS
25	1	CV10175	GASKET
26	2	UV15163	2-114 O-RING
27	2	12777	1/2" DRAIN PLUG
28	1	12910	PUMP DECAL (N/S)
29	1	E11PRO100E	11 HP B&S, Ø1" SHAFT, ELEC. START



THIS DRAWING AND ALL INFORMATION CONTAINED THEREON ARE THE EXCLUSIVE PROPERTY OF BANJO CORPORATION.

UNLESS SPECIFICALLY NOTED, THIS DRAWING AND ITEMS SHOWN ON THIS DRAWING ARE SUBJECT TO CHANGE AT ANY TIME.

**BANJO CORPORATION**  
 150 BANJO DRIVE, CRAWFORDSVILLE, IN 47933  
 WEB SITE: WWW.BANJOCORP.COM  
 E-MAIL: SALES1@BANJOCORP.COM

DESCRIPTION  
 3" POLY WET SEAL PUMP W/ 11HP B&S  
 PART NUMBER  
 300P11PROW