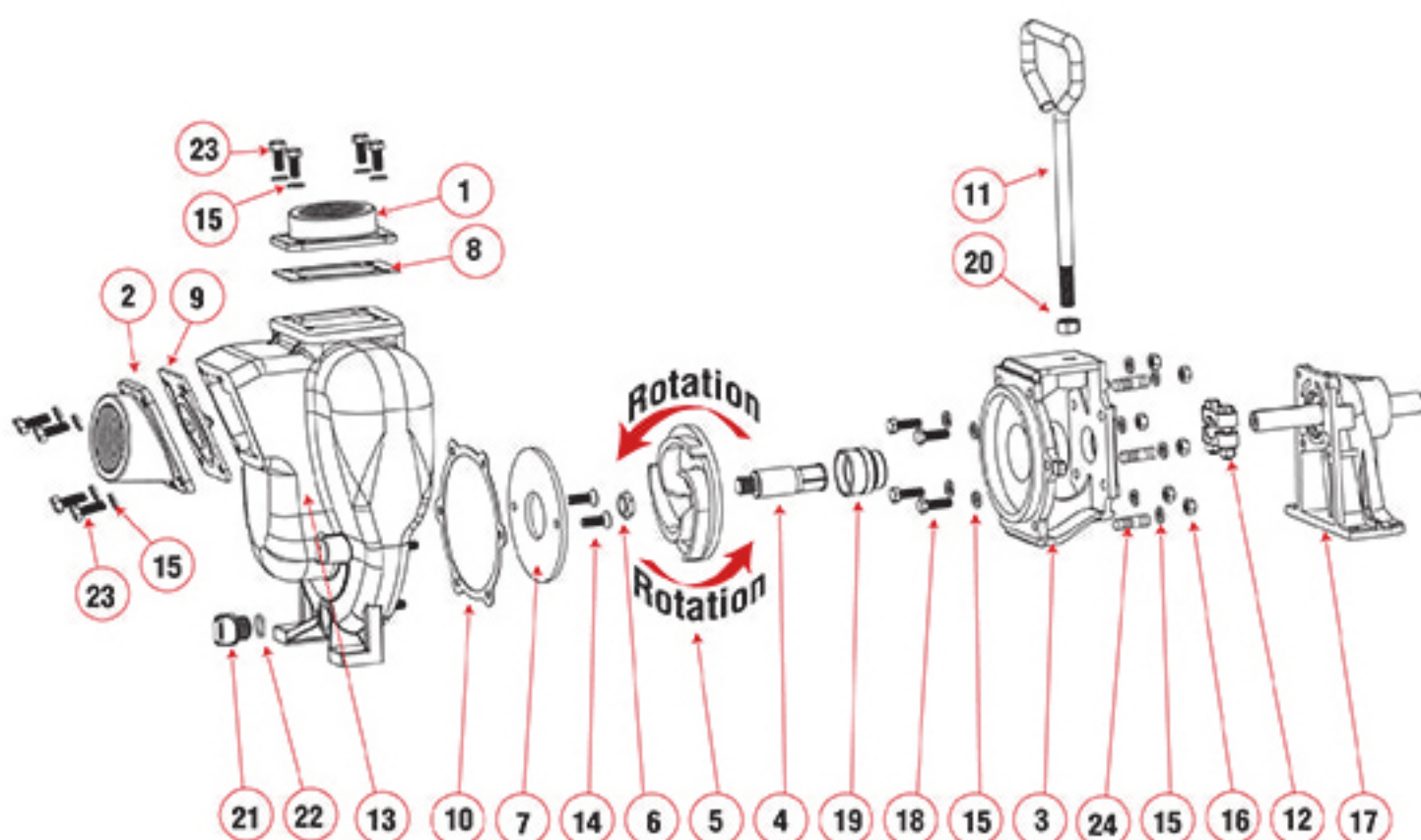
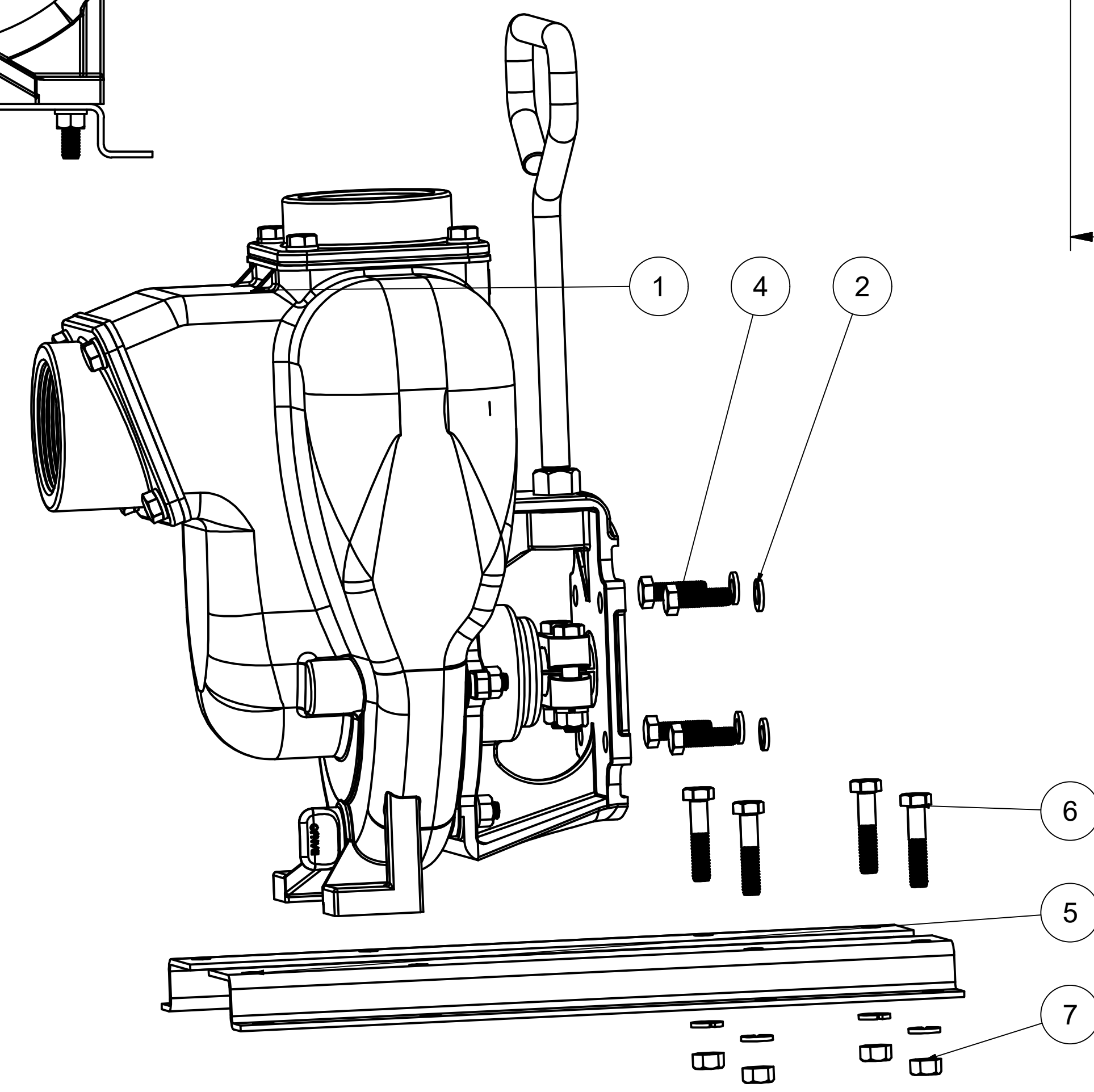
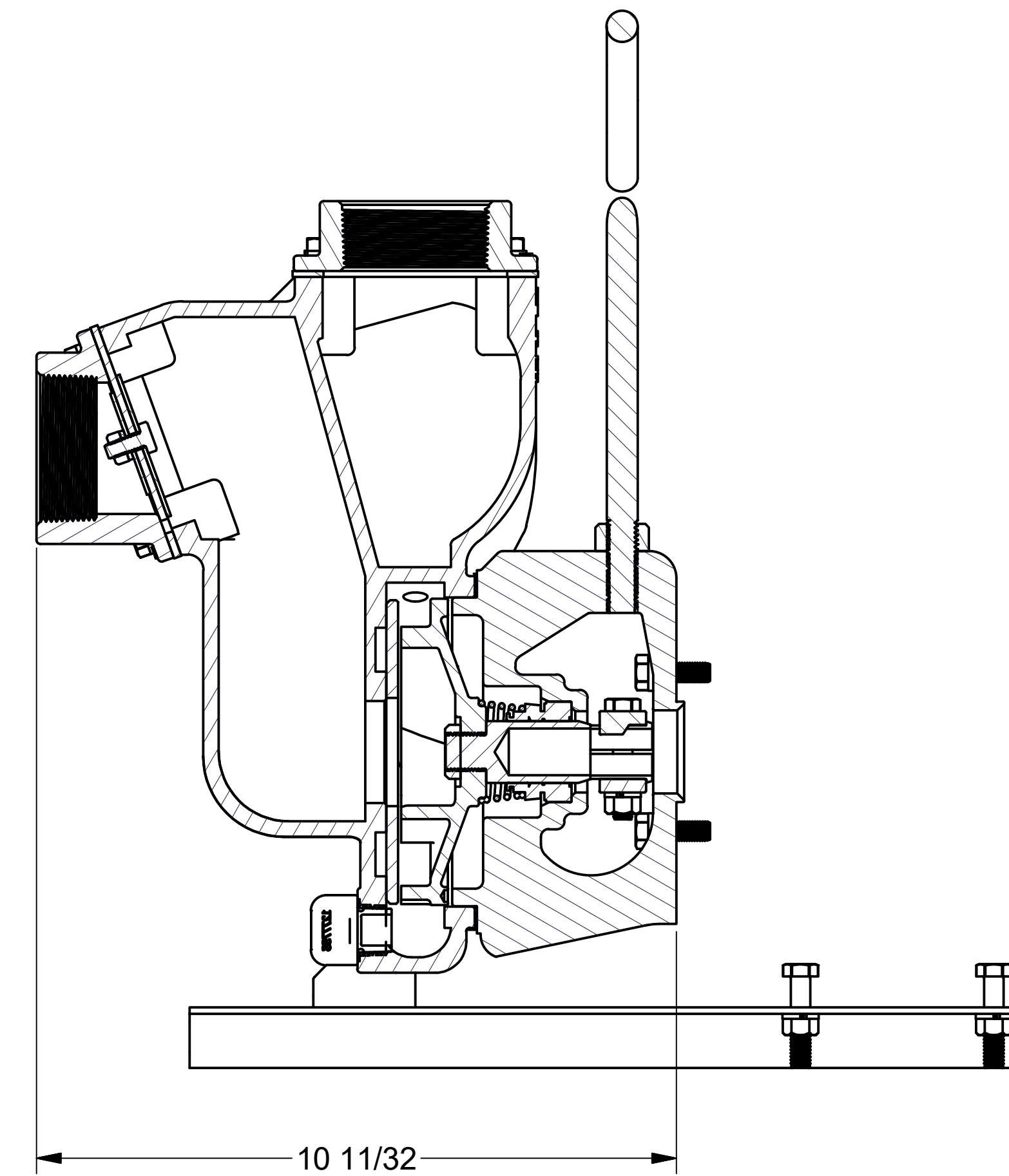
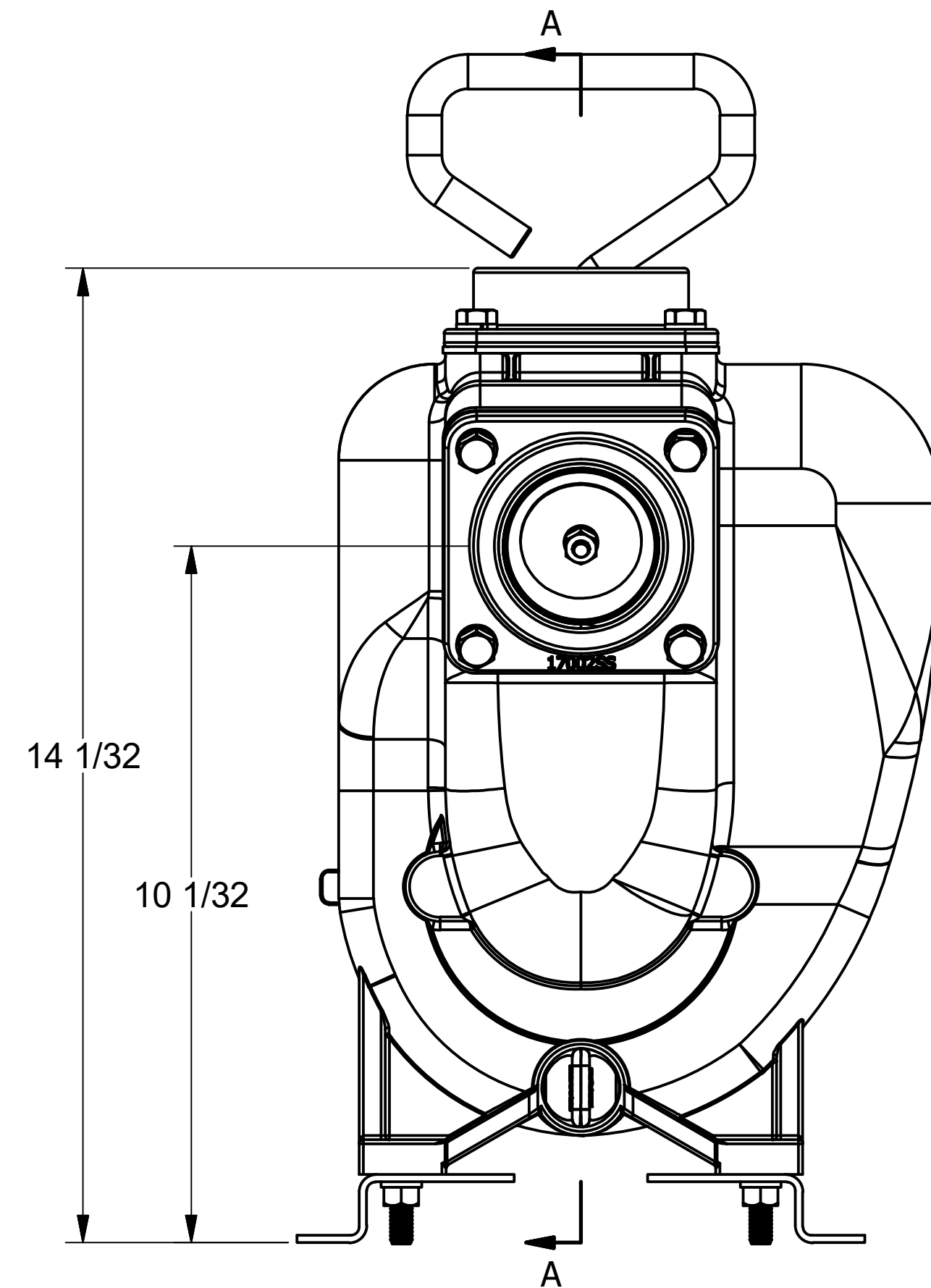


Part Number : 200PO-SS



Item	Part No.	Description	Qty.
1	17000SS	SS Outlet Flange	1
2	17002SS	SS Inlet Flange	1
3	17004SS	SS Adapter for Gas Engine	1
3	17046SS	CF Adapter for Electric Motor	1
4	17005SS	5/8" SS Sleeve Drive	1
4	17006SS*	3/4" SS Sleeve Drive	1
4	17007SS	7/8" SS Sleeve Drive	1
5	17008SS*	SS Impeller	1
5	17008-4.1SS	4.1" SS Impeller	1
5	17008-4.6SS	4.6" SS Impeller	1
6	17009B	5/8" Impeller Nut	1
7	17011SS*	SS Wear Plate	1
8	17014	FKM (viton type) Outlet Gasket	1
9	17017	FKM (viton type) Check Valve Assembly Gasket	1
10	17018	Adapter Gasket	1
11	15022	Handle	1
12	17023	5/8" Clamp, 3/4" SS Shaft (Old Style)	1
12	17123	5/8" Clamp, 3/4" SS Shaft (Keyed Clamp)	1
12	17024	7/8" Clamp, 3/4" SS Shaft	1
13	17026SS	SS Pump Housing	1
14	17130SS	3/8" -16 x 1" Bolt	2
15	V10118	5/16" Lock Washer	18
16	V10119	5/16" -18 SS Hex Nut	6
17	12882A	Bearing Pedestal Assembly w/ 3/4" Shaft	1
18	17040	Bolt	4
19	17035SS	FKM (viton type) SS Seal Assembly	1
20	17010	1/2" - 24 x 1" HHCS	1
21	12777SS	Drain Plug Stainless Steel	1
22	UV15163	O-Ring for Drain Plug	1
23	17019	5/16" - 18 x 3/4" Cap Screw	8
24	17042	Stud	6

Parts List			
ITEM	QTY	PART NUMBER	DESCRIPTION
1	1	200XPOSS	2" SS PUMP SUB-ASSY
2	8	V10118	5/16" LOCKWASHER
3	1	12910	DECAL (N/S)
4	4	17040	5/16-24 X 1" HHCS
5	1	17033	Z-RAIL (PAIR)
6	4	17034	5/16-18 X 1-1/2" HHCS
7	4	V10119	5/16" HEX NUT



THIS DRAWING AND ALL INFORMATION CONTAINED THEREON ARE THE EXCLUSIVE PROPERTY OF BANJO CORPORATION.

UNLESS SPECIFICALLY NOTED, THIS DRAWING AND ITEMS SHOWN ON THIS DRAWING ARE SUBJECT TO CHANGE AT ANY TIME.



BANJO CORPORATION
 150 BANJO DRIVE, CRAWFORDSVILLE, IN 47933
 WEB SITE: WWW.BANJOCORP.COM
 E-MAIL: BANJOSALES@IDEXCORP.COM

DESCRIPTION
2" SS PUMP ONLY

PART NUMBER
200PO-SS