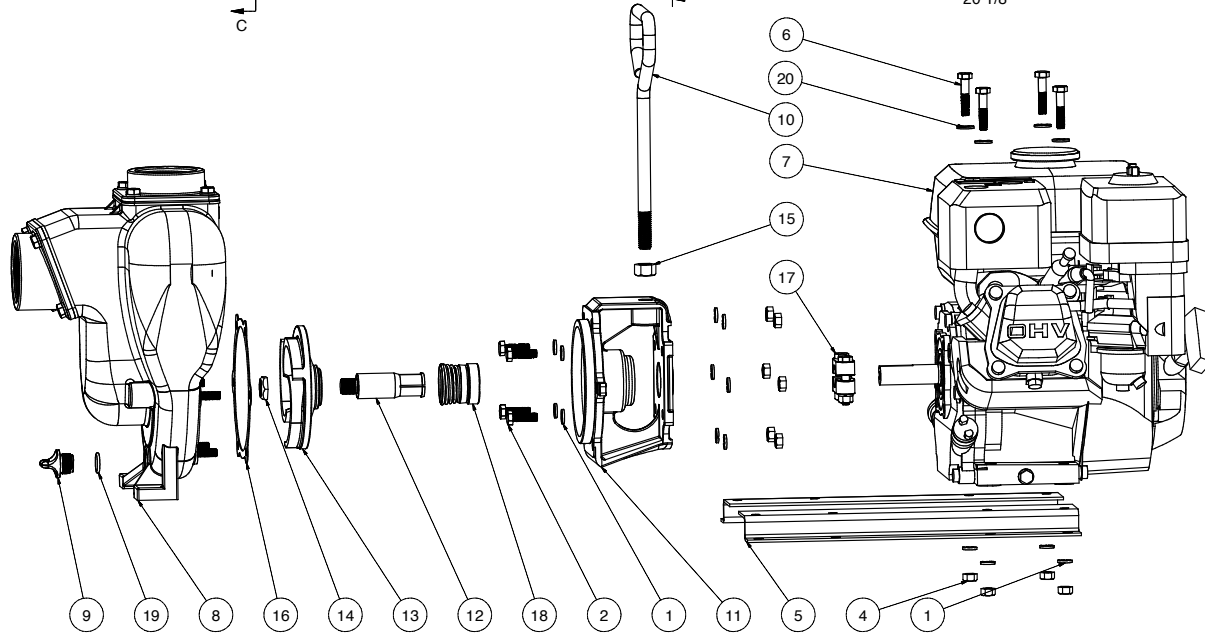
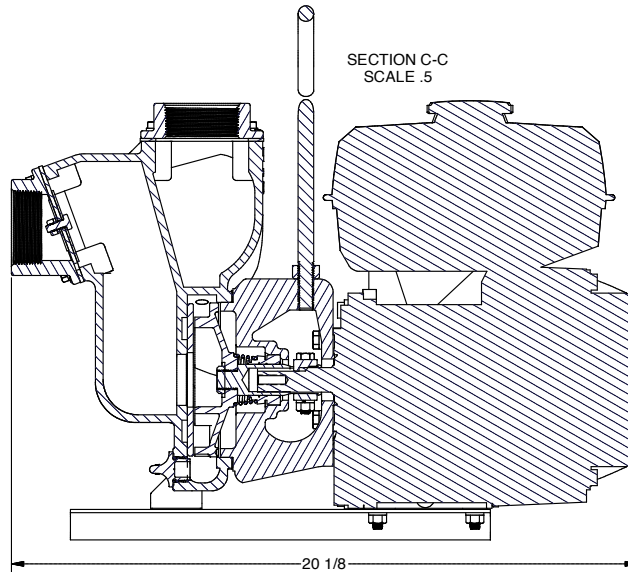
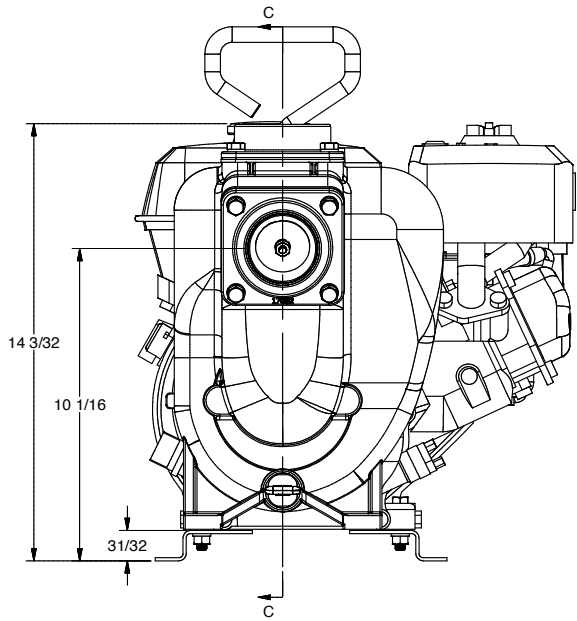


Item	Part No.	Description	Qty.
1	17000	Threaded Outlet Flange	1
1	M17000	2" Manifold Outlet Flange	1
2	17002	Threaded Inlet Flange	1
2	M17002	2" Manifold Inlet Flange	1
3	17004	Adapter for Gas Engine	1
3	17046	C-Flange Adapter	1
4	17005	5/8" Sleeve Drive for Electric Motor	1
4	17006	3/4" Sleeve Drive	1
4	17007	7/8" Sleeve Drive for Electric Motor	1
5	17008*	5" Impeller	1
5	17008-4.6	4.6" Trimmed Impeller	1
5	17008-4.1	4.1" Trimmed Impeller	1
6	17010	1/2" Hex Nut	1
7	17011	Wear Plate	1
8	17013	EPDM Gasket	1
9	17016	Check Valve Assembly	1
10	17018	Gasket Adapter	1
11	15022	Handle	1
12	17023	5/8" Clamp for 3/4" Shaft Assembly (Old Style)	1
12	17123	5/8" Clamp for 3/4" Shaft Assembly (Keyed)	1
12	17024	7/8" Clamp for Shaft Assembly	1
13	17026	Pump Housing	1
14	V10118	5/16" Lock Washer	18
15	V10119	5/16" - 18 SS Hex Nut	6
	12882R	Housing	1
	12883R	Bearing?Pedestal w/ 3/4" Shaft Only	1
	12884	Internal Retaining Clip for Pedestal	1
	12883B	Bearings	2
16	12882A	Complete Pedestal Assembly	1
17	17040	5/16" -24 x 1.00" Cap Screw	4
18	17028	EPDM?Seal Assembly	1
18	17035*	FKM?(viton type)?Seal Assembly	1
18	17035SD	Severe Duty Seal	1
19	17042	Stud	6
20	17019	5/16"-18 x 3/4" Cap Screw	8
21	17009B	5/8" Impeller Nut	1
22	17130	C Sink Flat Head Screw	2
23	12777	Plug	1
24	UV15163	O-Ring	1
	17033	Z Rails (Pair)	1
	17100	Repair Kit (Consists of items 4*, 5*, 7,10,18*)	1



Parts List			
ITEM	QTY	PART NUMBER	DESCRIPTION
1	14	V10118	5/16" LOCKWASHER
2	4	17040	5/16-24 X 1" HHCS
3	1	12910	DECAL (N/S)
4	10	V10119	5/16" HEX NUT
5	1	17033	Z-RAIL (PAIR)
6	4	17034	5/16-18 X 1-1/2" HHCS
7	1	E5H	5.5 HP HONDA
8	1	17126	2" PUMP HOUSING ASSY
9	1	12777	1/2" DRAIN PLUG
10	1	15022	2" PUMP HANDLE
11	1	17004	GAS ENGINE ADAPTER
12	1	17006	ADAPTER SHAFT
13	1	17008	PUMP IMPELLER
14	1	17009B	5/8-18 IMPELLER NUT
15	1	17010	1/2-13 HEX NUT
16	1	17018	PUMP ADAPTER GASKET
17	1	17123	CI PUMP KEYED CLAMP
18	1	17135	MECH. SEAL ASSY.
19	1	UV15163	2-114 O'RING
20	4	12901	5/16" FLAT WASHER



BANJO CORPORATION
 150 BANJO DRIVE, CRAWFORDSVILLE, IN 47933
 WEB SITE: WWW.BANJOCORP.COM
 E-MAIL: SALES1@BANJOCORP.COM

THIS DRAWING AND ALL INFORMATION CONTAINED THEREON ARE THE EXCLUSIVE PROPERTY OF BANJO CORPORATION.
 UNLESS SPECIFICALLY NOTED, THIS DRAWING AND ITEMS SHOWN ON THIS DRAWING ARE SUBJECT TO CHANGE AT ANY TIME.

DESCRIPTION
2" CI PUMP W/ 5 HP HONDA
 PART NUMBER
200PIH-5