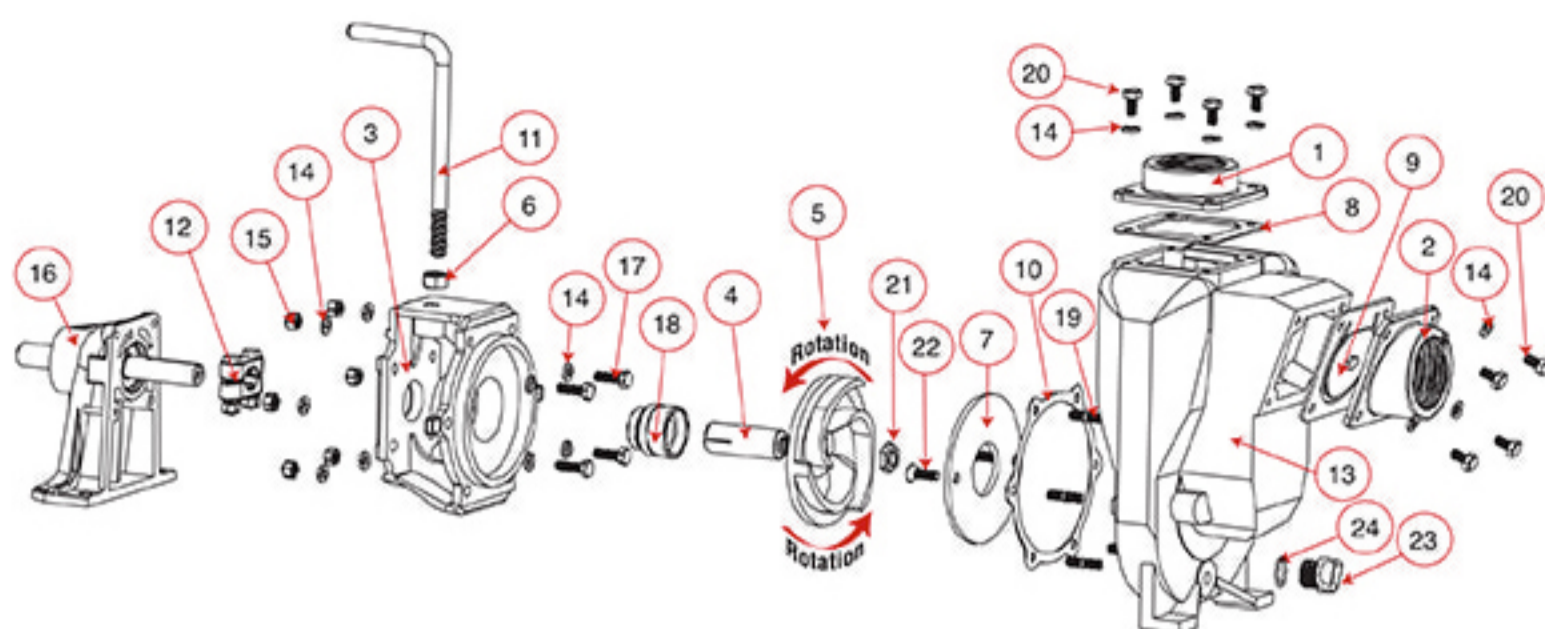
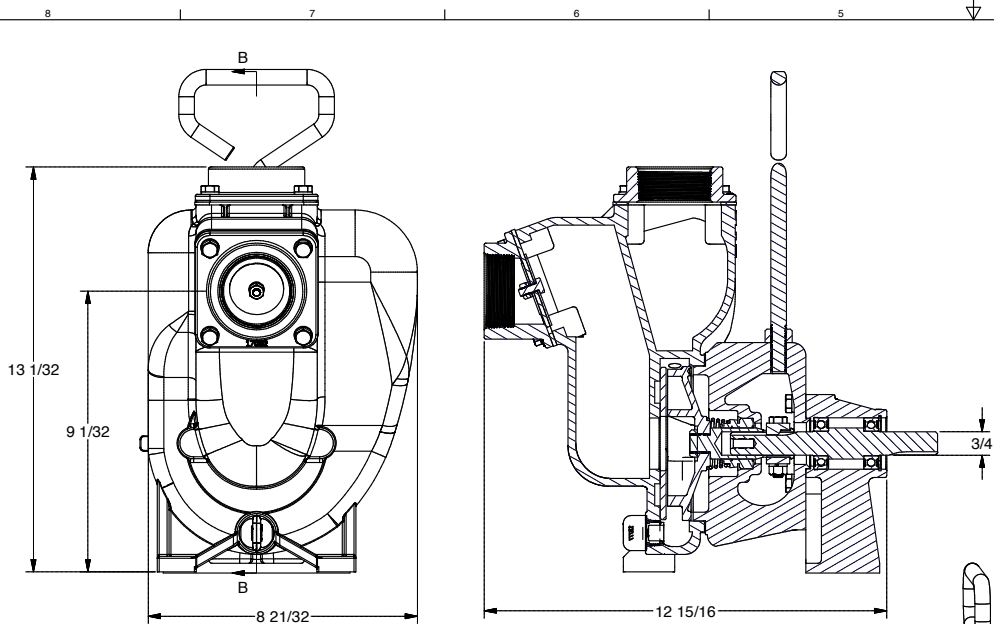


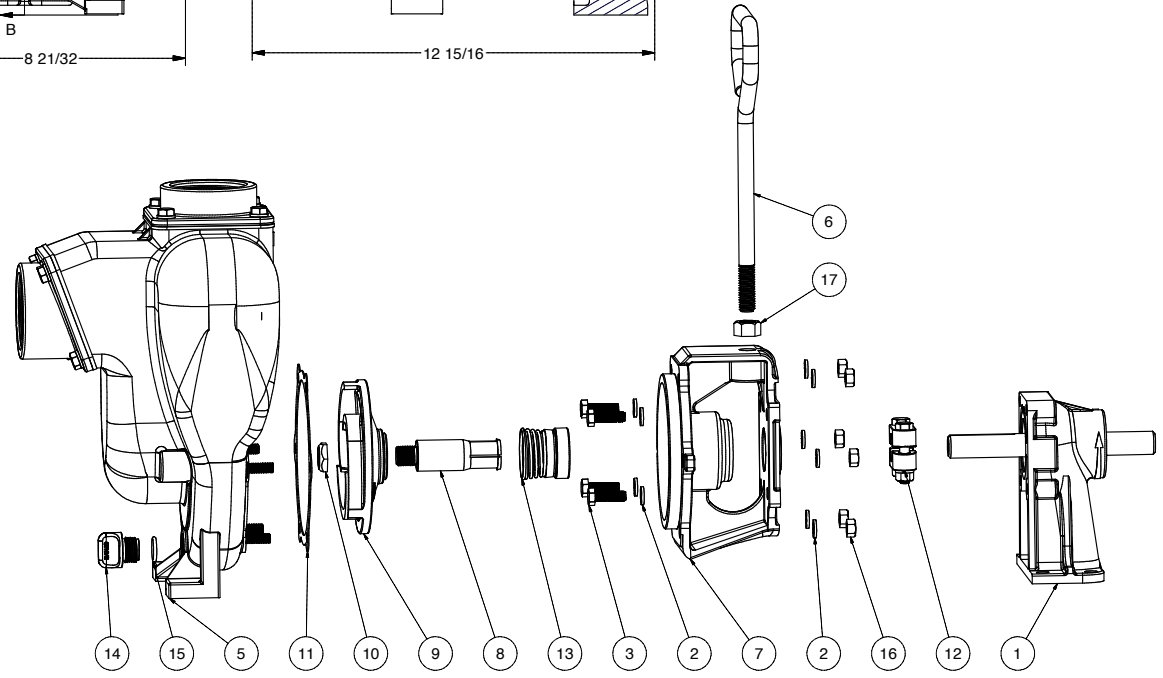
Part Number : 200PBI



Item	Part No.	Description	Qty.
1	17000	Threaded Outlet Flange	1
1	M17000	2" Manifold Outlet Flange	1
2	17002	Threaded Inlet Flange	1
2	M17002	2" Manifold Inlet Flange	1
3	17004	Adapter for Gas Engine	1
3	17046	C-Flange Adapter	1
4	17005	5/8" Sleeve Drive for Electric Motor	1
4	17006	3/4" Sleeve Drive	1
4	17007	7/8" Sleeve Drive for Electric Motor	1
5	17008*	5" Impeller	1
5	17008-4.6	4.6" Trimmed Impeller	1
5	17008-4.1	4.1" Trimmed Impeller	1
6	17010	1/2" Hex Nut	1
7	17011	Wear Plate	1
8	17013	EPDM Gasket	1
9	17016	Check Valve Assembly	1
10	17018	Gasket Adapter	1
11	15022	Handle	1
12	17023	5/8" Clamp for 3/4" Shaft Assembly (Old Style)	1
12	17123	5/8" Clamp for 3/4" Shaft Assembly (Keyed)	1
12	17024	7/8" Clamp for Shaft Assembly	1
13	17026	Pump Housing	1
14	V10118	5/16" Lock Washer	18
15	V10119	5/16" - 18 SS Hex Nut	6
	12882R	Housing	1
	12883R	Bearing?Pedestal w/ 3/4" Shaft Only	1
	12884	Internal Retaining Clip for Pedestal	1
	12883B	Bearings	2
16	12882A	Complete Pedestal Assembly	1
17	17040	5/16" -24 x 1.00" Cap Screw	4
18	17028	EPDM?Seal Assembly	1
18	17035*	FKM?(viton type)?Seal Assembly	1
18	17035SD	Severe Duty Seal	1
19	17042	Stud	6
20	17019	5/16"-18 x 3/4" Cap Screw	8
21	17009B	5/8" Impeller Nut	1
22	17130	C Sink Flat Head Screw	2
23	12777	Plug	1
24	UV15163	O-Ring	1
	17033	Z Rails (Pair)	1
	17100	Repair Kit (Consists of items 4*, 5*, 7,10,18*)	1



Parts List			
ITEM	QTY	PART NUMBER	DESCRIPTION
1	1	12882A	BEARING PEDESTAL
2	10	V10118	5/16" LOCKWASHER
3	4	17040	5/16-24 X 1" HHCS
4	1	12910	DECAL (N/S)
5	1	17126	2" PUMP HOUSING ASSY
6	1	15022	2" PUMP HANDLE
7	1	17004	GAS ENGINE ADAPTER
8	1	17006	ADAPTER SHAFT
9	1	17008	PUMP IMPELLER
10	1	17009B	5/8-18 IMPELLER NUT
11	1	17018	PUMP ADAPTER GASKET
12	1	17123	CI PUMP KEYED CLAMP
13	1	17135	MECH. SEAL ASSY.
14	1	12777	1/2" DRAIN PLUG
15	1	UV15163	2-114 O'RING
16	6	V10119	5/16" HEX NUT
17	1	17010	1/2-13 HEX NUT



THIS DRAWING AND ALL INFORMATION CONTAINED THEREON ARE THE EXCLUSIVE PROPERTY OF BANJO CORPORATION.

UNLESS SPECIFICALLY NOTED, THIS DRAWING AND ITEMS SHOWN ON THIS DRAWING ARE SUBJECT TO CHANGE AT ANY TIME.



BANJO CORPORATION
 150 BANJO DRIVE, CRAWFORDSVILLE, IN 47933
 WEB SITE: WWW.BANJOCORP.COM
 E-MAIL: SALES1@BANJOCORP.COM

DESCRIPTION	2" CI PUMP W/ BEARING PED.
PART NUMBER	200PBI