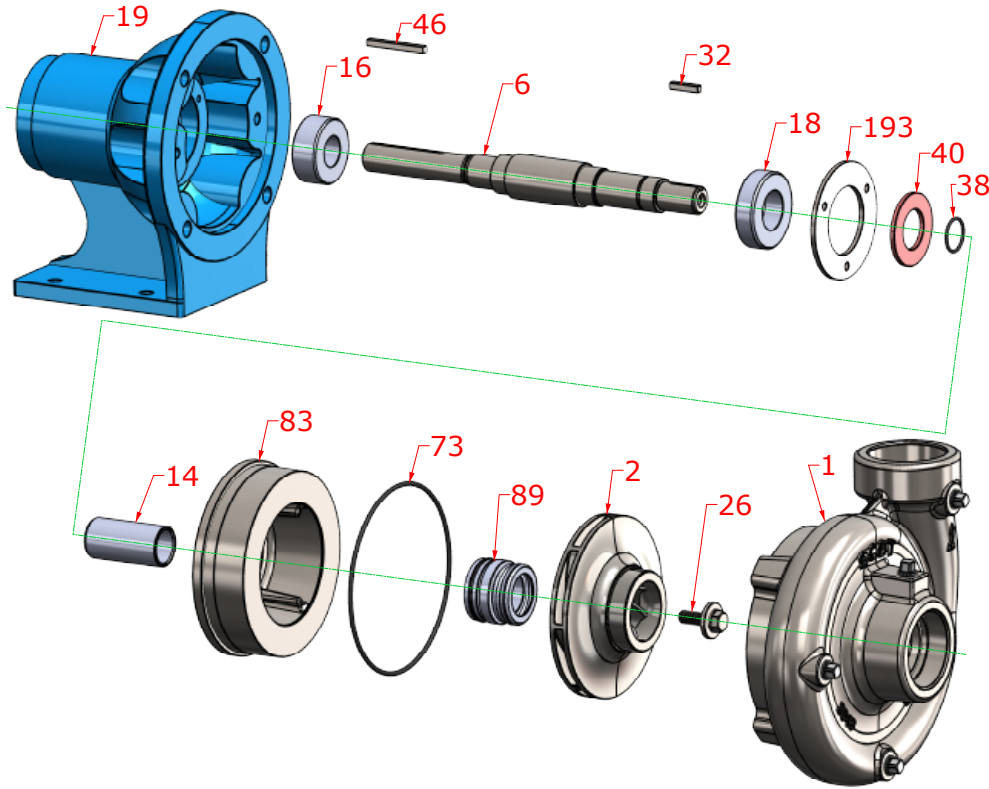


### Parts



Key	Part Name	Part Number
1	Case 602S, 316SS, 3.0 X 3.0 NPT, Stl plugs	3301127X
2	Impeller 602S, 316SS Specify Dia., 5.63 Max, 7/8" Key	3301136
14*	Shaft sleeve, 316SS	3301317
26*	Impeller retaining assembly, 316SS	3301380
38*	O-ring, Shaft, Viton	116.000.193
40*	Flinger, Rubber	104.000.107
73*	Gasket, Case, Viton	116.000.150
83	Backplate, 316SS, 1-1/4" Seal	3301318
89*	Seal, 1-1/4" Type 21, VN-CARB/CM	101.000.194A
	Seal, 1-1/4" Type 21, VN-SIL/SIL	101.000.203A
	Bearing Frame Ass'y Consisting of:	F1180443 118.000.443X
6+	Shaft ass'y, 316SS, 7/8" Straight, Includes keys	135.000.203X
16	Bearing, Double sealed, #206	103.000.146
18	Bearing, Double sealed, #205 Double wide	103.000.150
19	Pedestal, Iron	132.000.237
32*+	Key, Stainless	102.000.218
46+	Key, Steel	102.000.130
193	Retainer, Bearing, Steel	110.000.244
KIT	Repair kit, 1-1/4" VN-CARB/CM, 316SS	3301370
	Repair kit, 1-1/4" VN-SIL/SIL, 316SS	3301372

\* Denotes components included in repair kit

+ Denotes components included with shaft assembly