

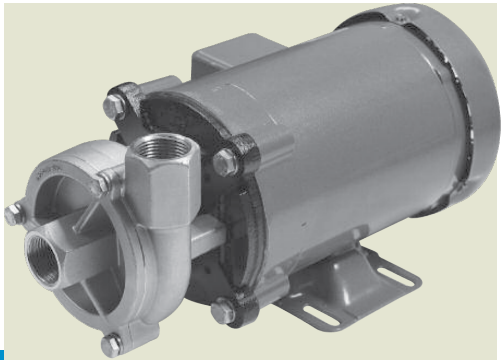


# FRX 100

## 1" x 1" End Suction Centrifugal Pump

The FRX 100 316 stainless steel centrifugal pump is ideal for hard-to-handle applications in the marine, commercial, and industrial markets.

All wetted components are 316 investment cast stainless steel providing superior corrosion resistance when pumping chemical compounds. A carbon / ceramic / Viton bellows shaft seal is standard with optional seals available on request. The FRX 100 model is available with 1" NPT port configurations. Pump rotation in 90° increments.



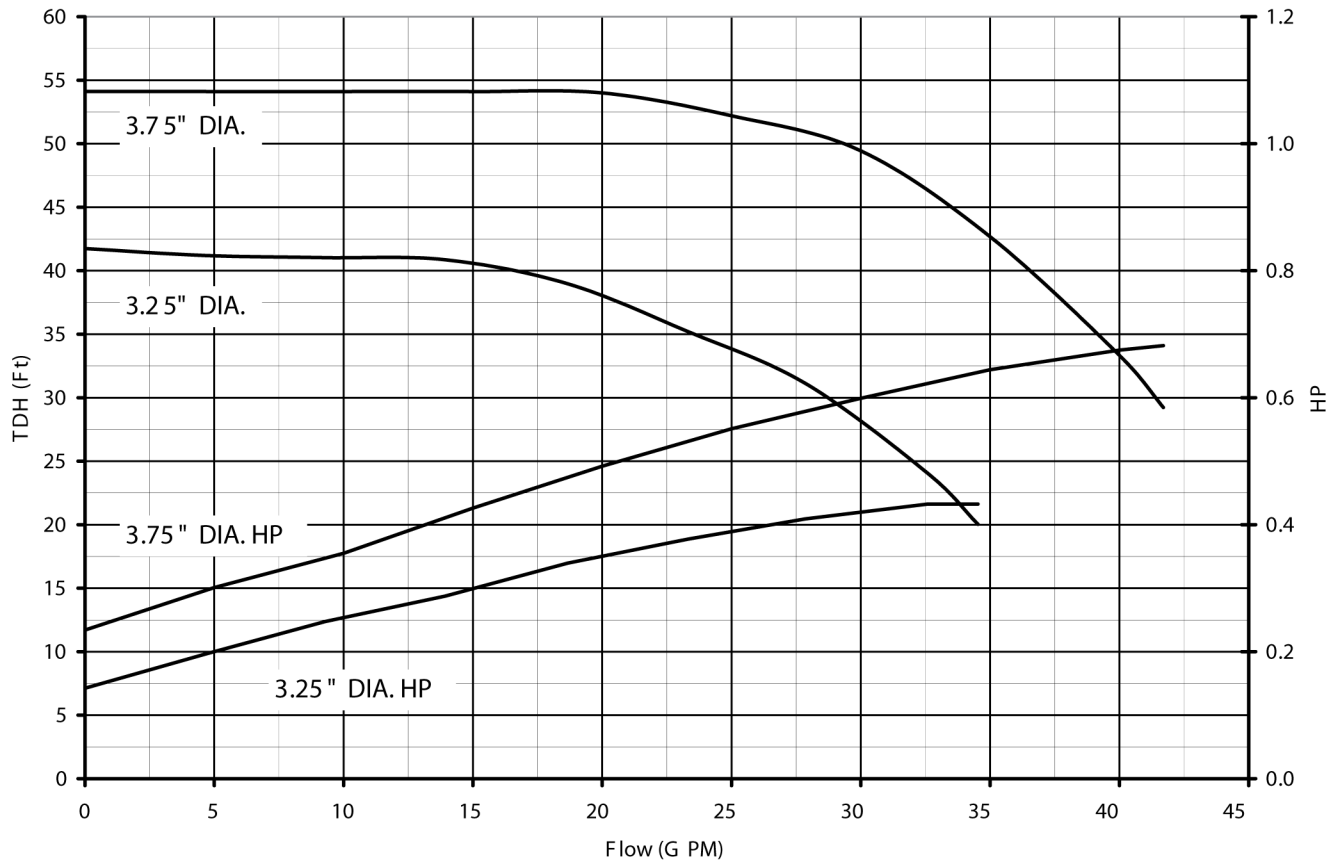
**Application:**

- Agricultural
- Commercial
- Industrial
- Marine

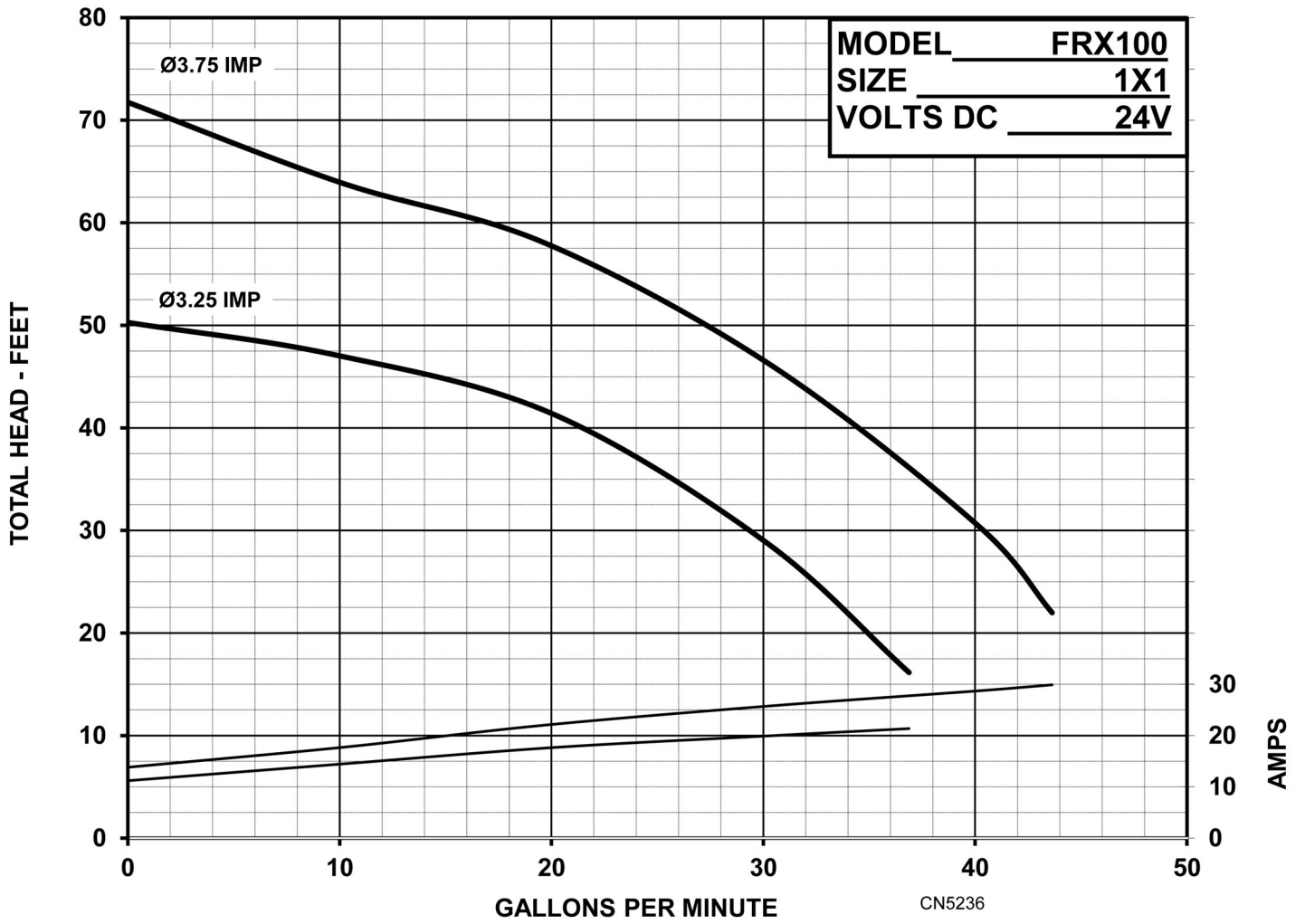
### SPECIFICATIONS:

|                           |  |
|---------------------------|--|
| Suction and Discharge     | .. 1" NPT x 1" NPT   |
| Materials of Construction | 316 stainless steel  |
| Flow                      | ..... Up to 40 GPM   |
| Head Feet                 | ..... Up to 54'  |
| Impeller                  | ..... 3.75" 316 stainless steel  |
| Drive Options             | ..... Close coupled 115V AC<br>Close coupled 12V DC<br>Close coupled 230V AC<br>Close coupled 24V DC |
| Seal                      | ..... Carbon / ceramic / Viton bellows 150 PSI<br>Special seals upon request                         |

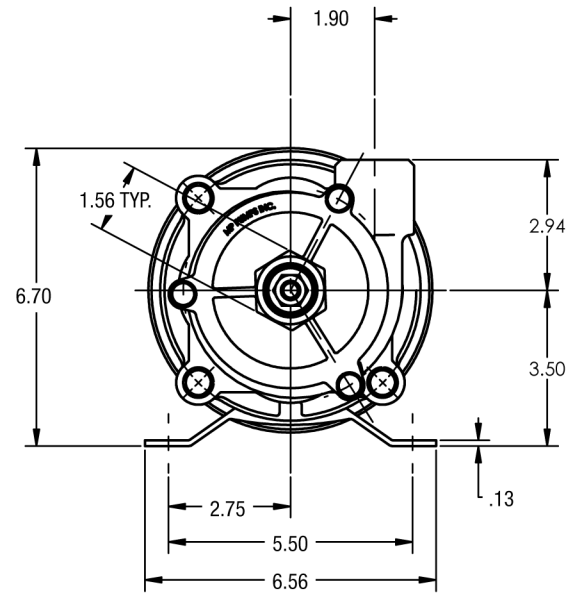
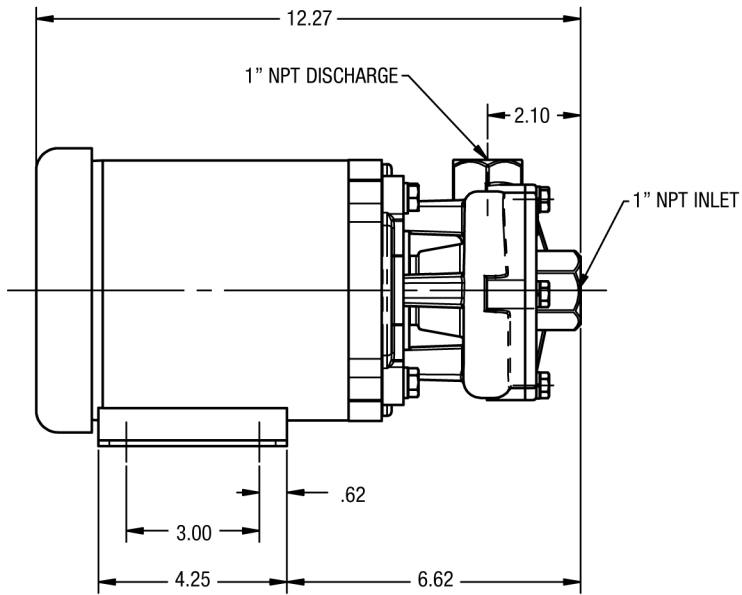
# FRX 100

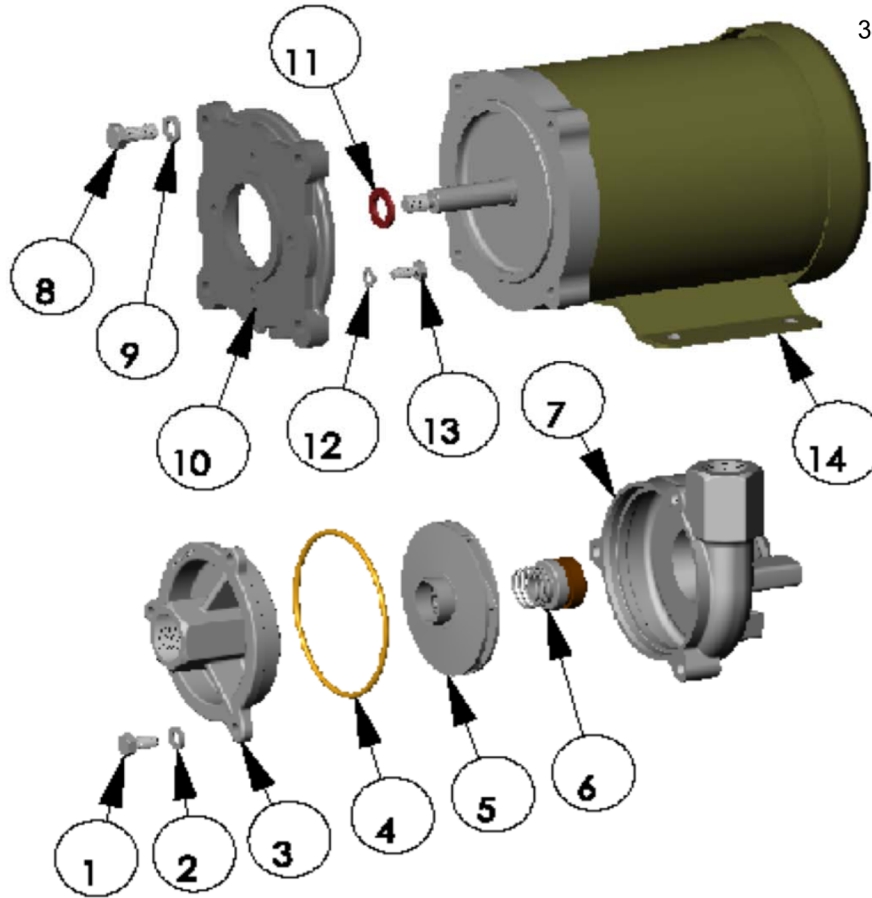


34800 BENNETT • FRASER, MI 48026-1686  
 (586) 293-8240 • FAX (586) 293-8469  
 (800) 563-8006 • www.mppumps.com



# FRX 100





| ITEM NO. | PART NO. | DESCRIPTION                            | QTY. |
|----------|----------|--|------|
| 1        | 34930    | CAPSCREW - S.S. - 5/16-18 X 5/8        | 3    |
| 2        | 21238    | LOCKWASHER - S.S. - 5/16               | 3    |
| * 3      | 34926    | COVER - 316 S.S.                       | 1    |
| * 4      | 35001    | O-RING - VITON                         | 1    |
| * 5      | 34927    | IMPELLER - 316 S.S. - 3.75 DIA.        | 1    |
| * 6      | 35052    | SEAL - VITON                           | 1    |
| * 7      | 34924    | HOUSING - 316 S.S.                     | 1    |
| 8        | 21251    | HEXHEAD CAPSCREW - S.S. - 3/8-16 X 7/8 | 4    |
| 9        | 21266    | LOCKWASHER - S.S. - 3/8                | 4    |
| * 10     | 34928    | ADAPTER RING - 56C                     | 1    |
| 11       | 21435    | SLINGER - NEO. - 1 X .6                | 1    |
| 12       | 33564    | LOCKWASHER - S.S. - 1/4                | 4    |
| 13       | 21504    | HEXHEAD CAPSCREW - S.S. - 1/4-20 X 5/8 | 4    |
| 14       | 35035    | EL. MTR. - 56J TEFC                    | 1    |

\*- RECOMMENDED REPLACEMENT PARTS

