



FLOMAX 15

3" x 3" Self Priming Centrifugal Pump

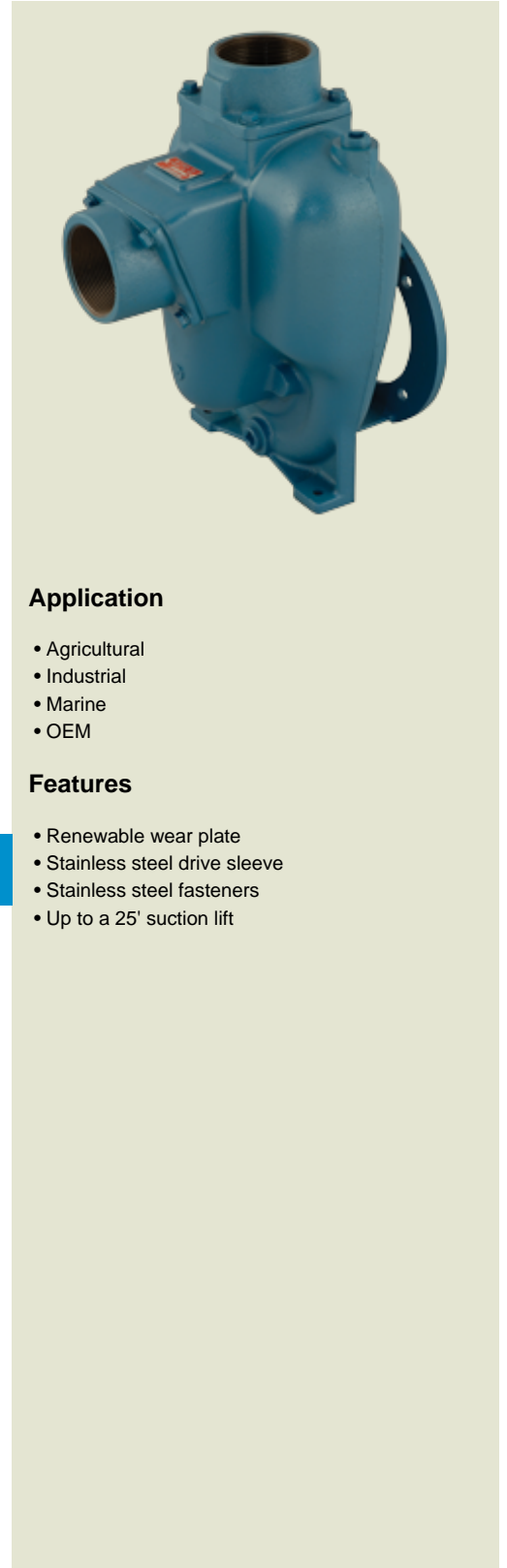
FLOMAX® 15 self-priming centrifugal pumps are capable of creating vacuum sufficient to lift liquids from heights up to 25 feet above the source. Once primed, the pump's built in flapper valve will maintain a full column of liquid in the suction line.

A FLOMAX® 15 PumPAK® is a fully assembled and run tested pump end that can be easily coupled to a number of drivers such as hydraulic motors, 184TC and 215C frame motors and gas engines. A bearing pedestal is also available for T-frame motor or belt drive.

Standard features include stainless steel drive sleeve, stainless steel fasteners, renewable wear plate, and a semi-open dynamically balanced impeller.

The FLOMAX® series of pumps are commonly used in Industrial, OEM, Agricultural and Marine applications, such as: Bilge Pumps, Auxiliary Fire Pumps, Ballast Transfer Pumps, Washdown Pumps, Fertilizer and Pesticide Pumps, Applicators & Sprayers, Blending Pumps, Nurse Tanks, Bulk Transfer Pumps and much more.

ABS Type Approval for the Flomax 15 and 10 - [Download PDF](#)



Application

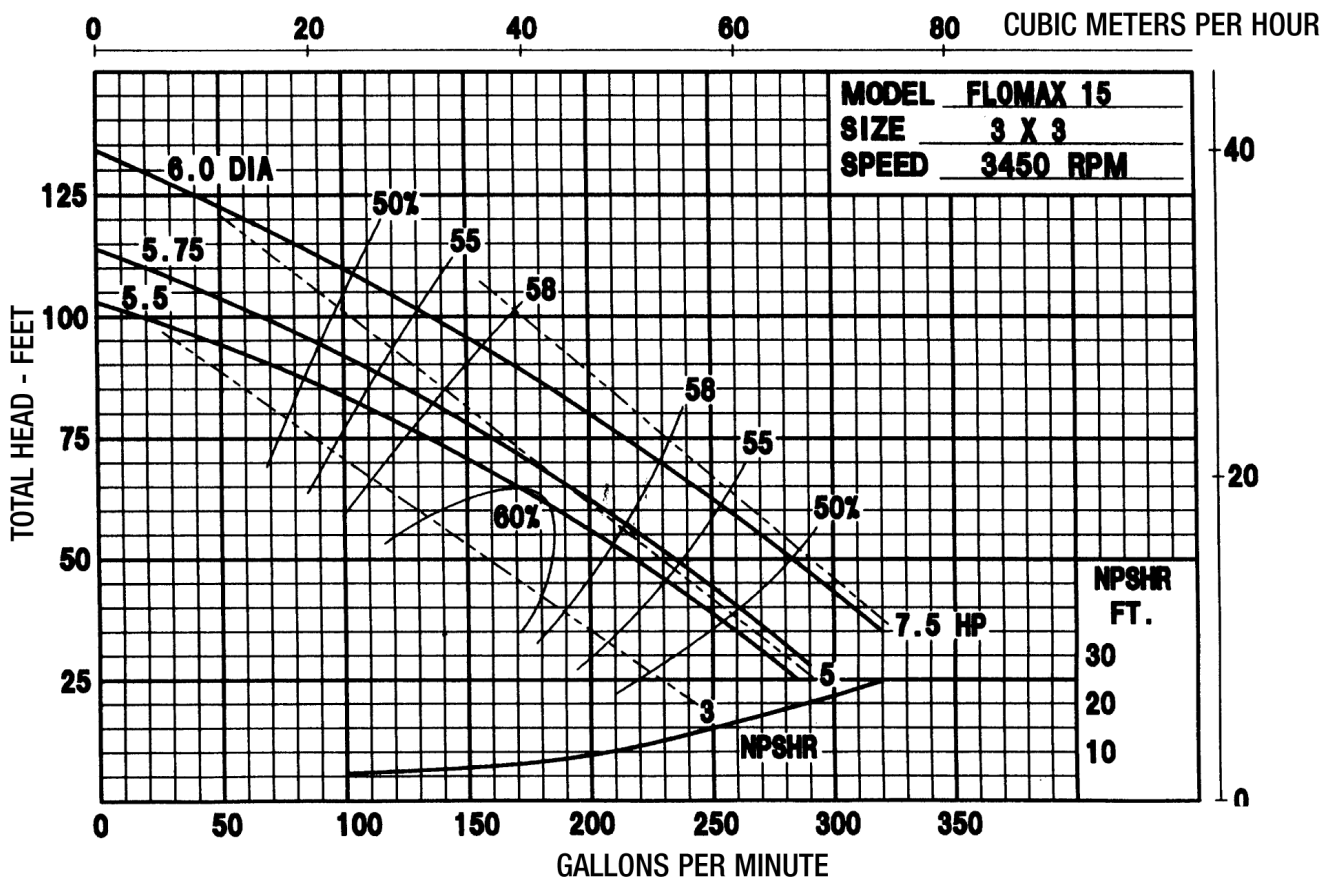
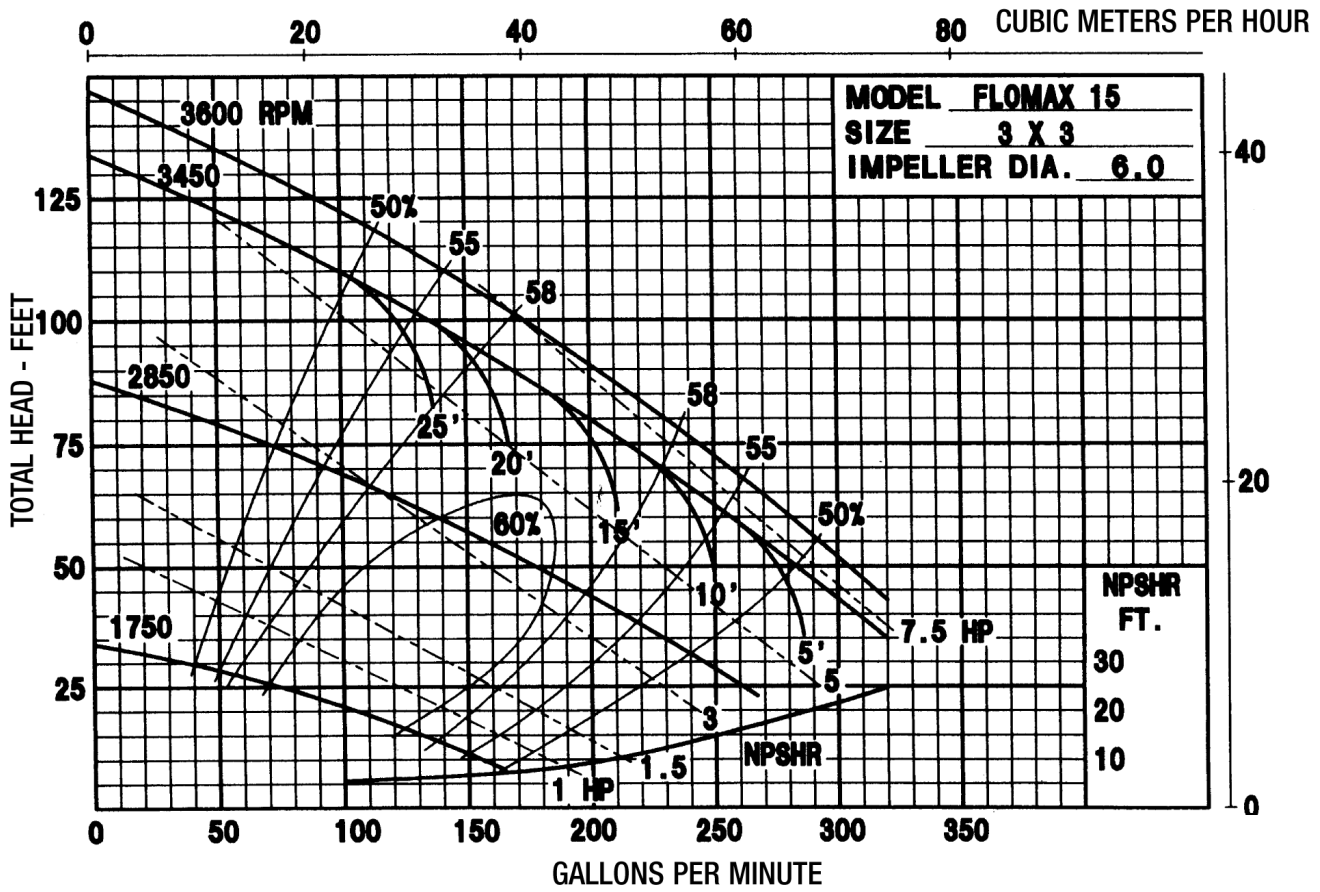
- Agricultural
- Industrial
- Marine
- OEM

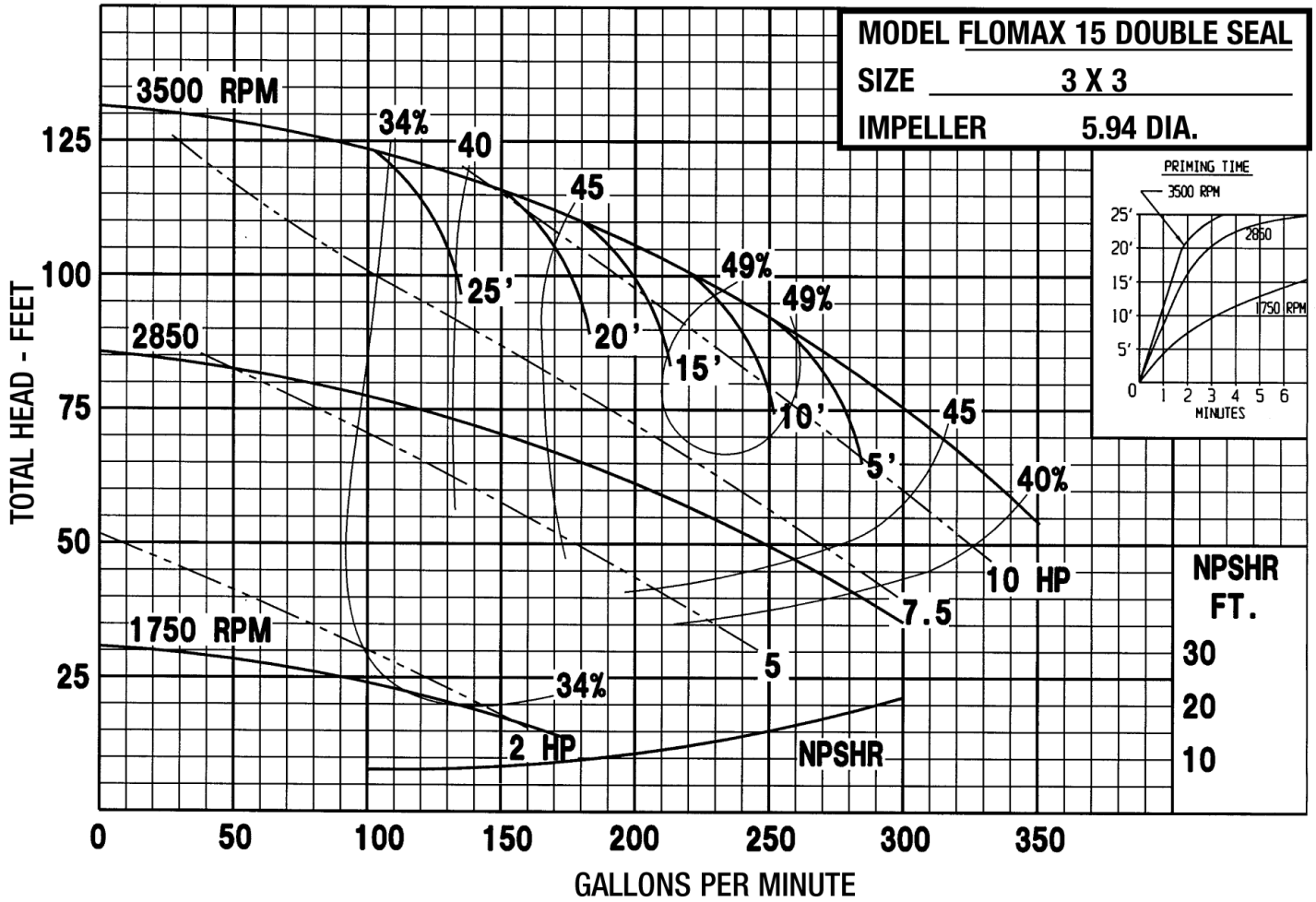
Features

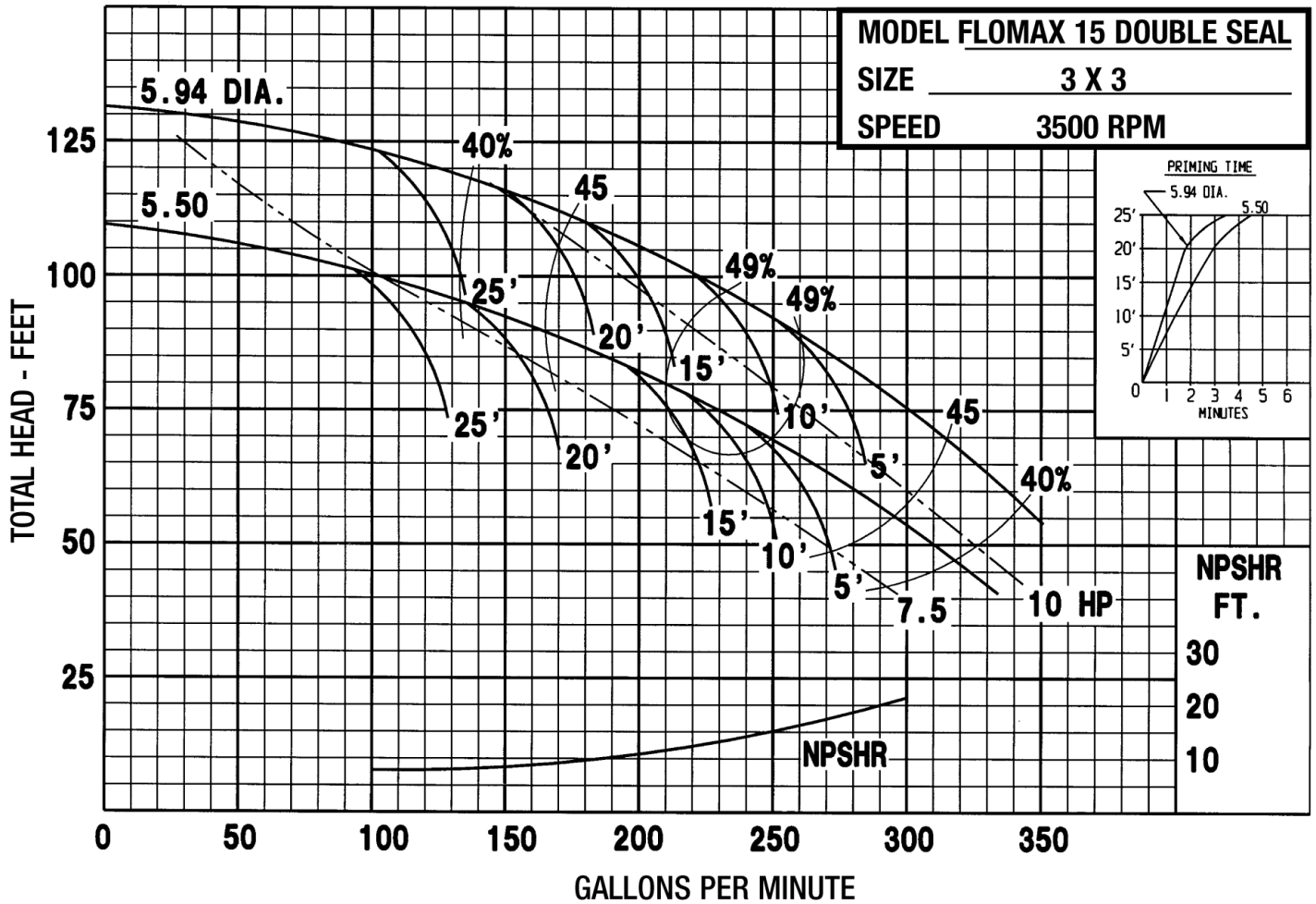
- Renewable wear plate
- Stainless steel drive sleeve
- Stainless steel fasteners
- Up to a 25' suction lift

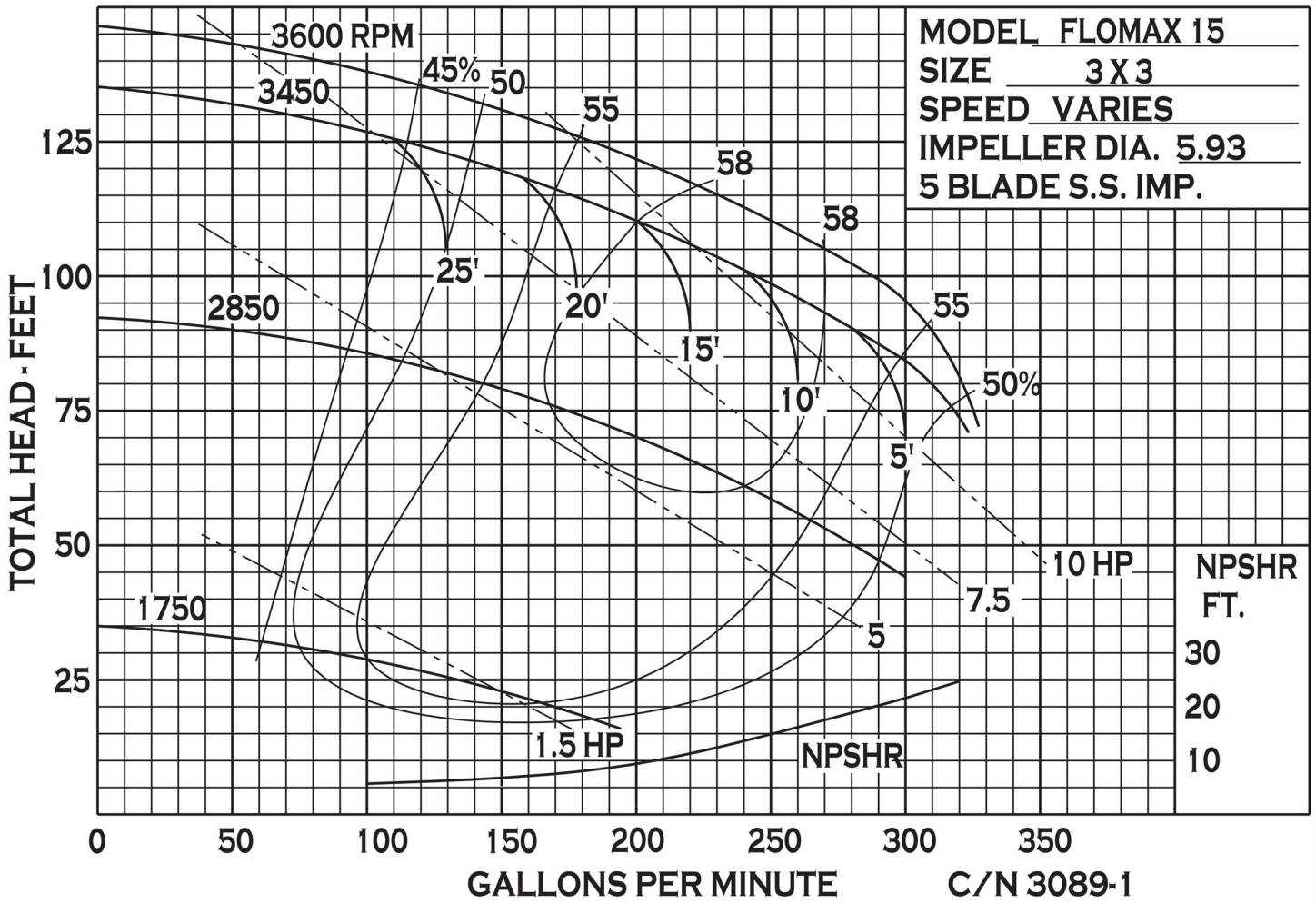
SPECIFICATIONS:

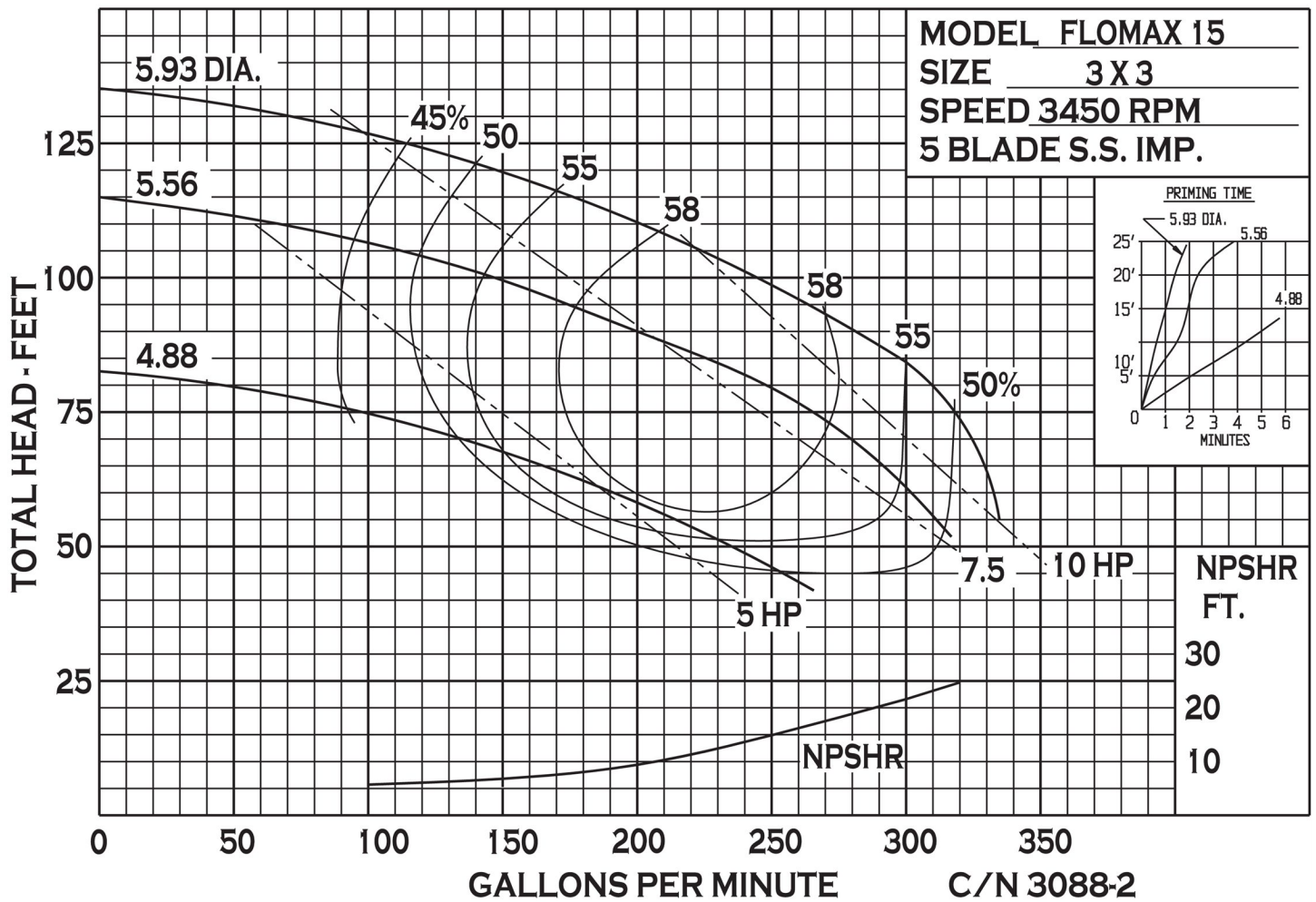
Suction And Discharge	3" x 3" NPT
Materials Of Construction	316 stainless steel, Bronze, Cast iron
Flow	Up to 320 GPM
Head Feet	Up to 145'
Impeller	6.0" max. diameter, semi-open
Motor	Up to 7.5 HP
Drive Options	Close coupled 184TC, Close coupled 215C, Engine mount: 5.5 HP, 6.5 HP, 11 HP, and 13 HP, Pedestal, PumPAK® (without motor)
Seal	Special seal material combinations available (consult factory), Standard carbon / ceramic / Viton
Options	5 blade impeller available for higher flows, Baseplate shown above is optional, Double seal available for dry run applications, Hydraulic motor .73 cu. in.
Max Solid Size	.625"







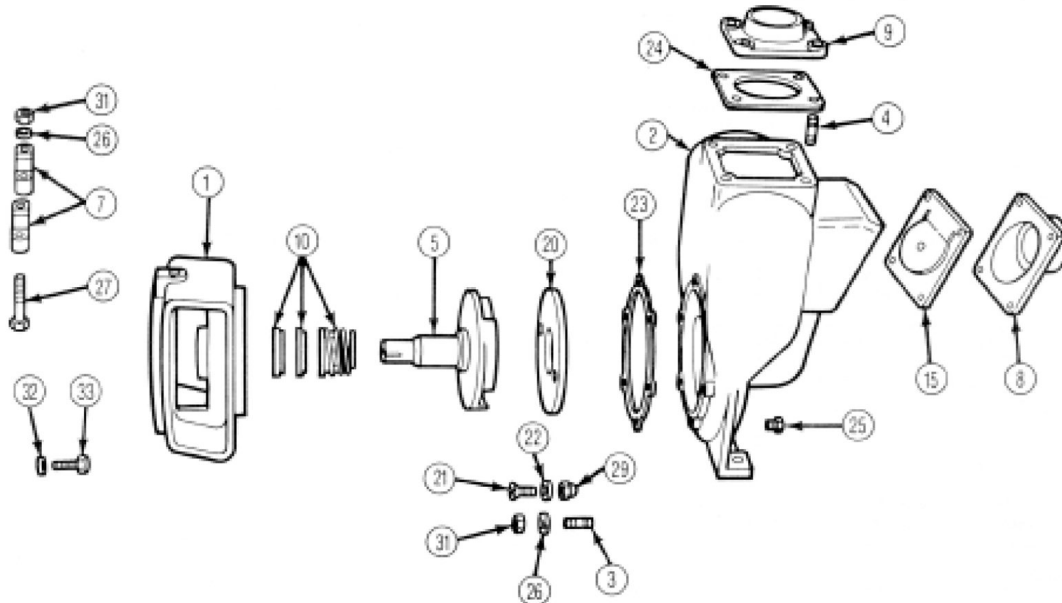




MP PUMPS SERVICE PARTS LIST

- Self-Priming • Pumpak
- Close Coupled Electric Motor Drive

Flomax 10 2" x 2" Pipe Size
Flomax 15 3" x 3" Pipe Size



IMPORTANT: When ordering parts, specify model and serial number shown on nameplate.
 N/S means "not shown" in exploded view of parts.

ITEM	PART NO.	DESCRIPTION	QUANTITY REQUIRED PER MODEL			
			CAST IRON			BRONZE
			FLOMAX 10-2"	21366	21421	21364
FLOMAX 15-3"	21384	21428	21382	21383		
HOUSING						
	24304	Housing Assembly - Cast Iron - Inc:	1	1		
2	22351	Housing - Cast Iron	1	1		
3	21261	Stud - S.S. - 3/8"	14	14		
		6 - Housing to Adaptor				
		8 - Inlet and Outlet				
25	21267	Drain Plug - S.S. - 1/4" NPT	1	1		
	24302	Housing Assembly - Aluminum - Inc:			1	
2	22349	Housing - Aluminum			1	
3	21261	Stud - S.S. - 3/8"			14	
		6 - Housing to Adaptor				
		8 - Inlet and Outlet				
25	21267	Drain Plug - 1/4" NPT			1	
	24303	Housing Assembly - Bronze - Inc:				1
2	22350	Housing - Bronze				1
3	21721	Stud - 3/8" - B				14
		6 - Housing to Adaptor				
		8 - Inlet and Outlet				
25	21186	Drain Plug - S.S. - 1/4" NPT				1
4	21291	Cap Screw - 3/8"	8	8	8	
31	21268	Hex Nut - S.S. - 3/8"	14	14	14	
		6 - Adaptor to Housing				
		4 - Inlet Flange				
		4 - Outlet Flange				
31	21230	Hex Nut - Bronze - 3/8"				14
26	21266	Lockwasher - S.S. - 3/8"	14	14	14	
		6 - Adaptor to Housing				
		4 - Inlet Flange				
		4 - Outlet Flange				
26	26051	Lockwasher - Bronze - 3/8"				14
15	23040	Flapper Assembly	1	1	1	1
23	22240	Gasket - Housing to Adaptor	4	4	4	4
24	22358	Gasket - Outlet Flange	1	1	1	1

MP PUMPS, INC.
 34800 BENNETT • FRASER, MI 48026-1686
 (586) 293-8240 • FAX (586) 293-8469
 (800) 563-8006 • www.mppumps.com

FORM 7006-C

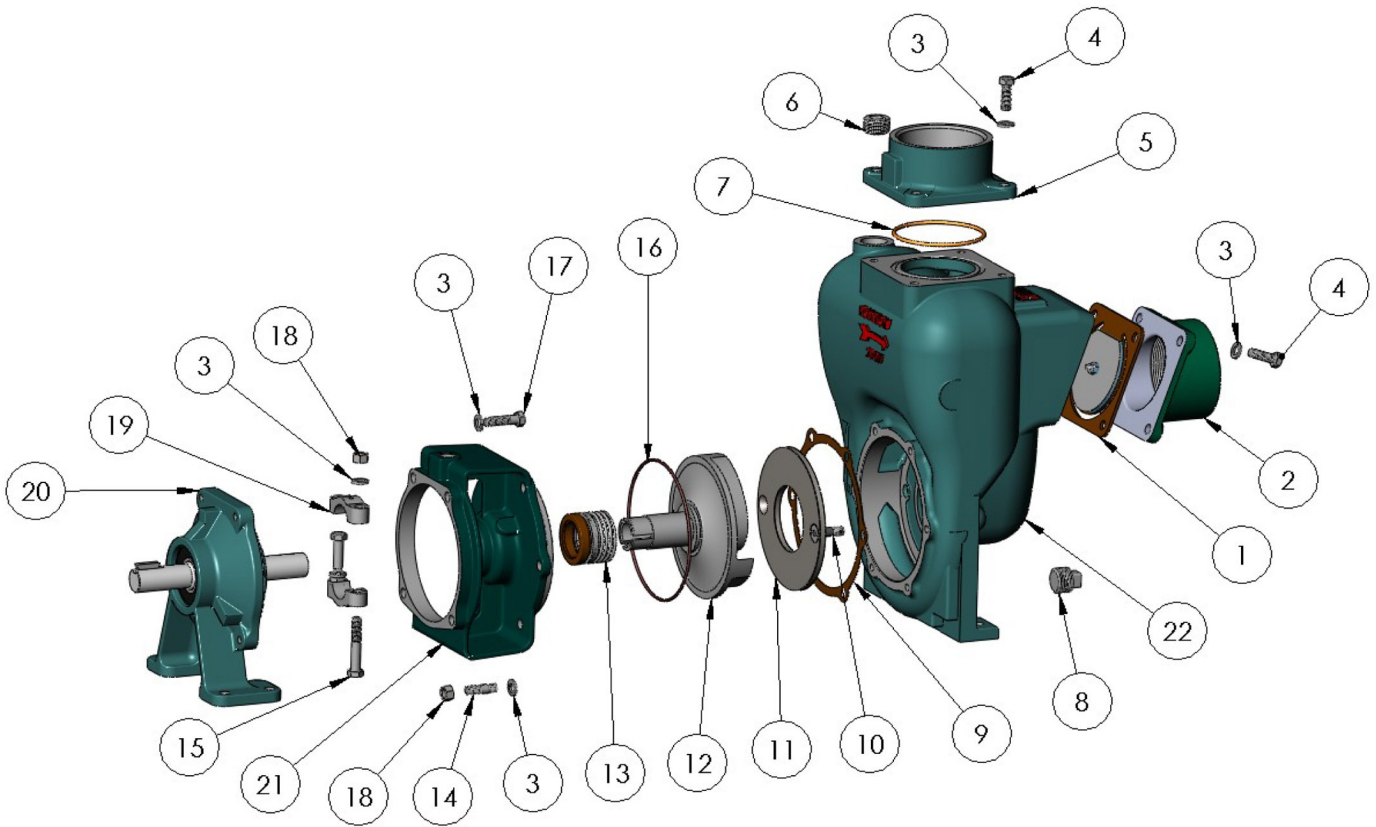
PRINTED IN U.S.A.



ITEM	PART NO.	DESCRIPTION	QUANTITY REQUIRED PER MODEL			
			CAST IRON		ALUMINUM	BRONZE
			FLOMAX 10-2"	21366	21421	21364
FLOMAX 15-3"	21384	21428	21382	21383		
FLANGES						
8	22369	Flange - 2" - Inlet - Cast Iron	1	1		
8	22367	Flange - 2" - Inlet - Aluminum			1	
8	22368	Flange - 2" - Inlet - Br.				1
8	22468	Flange - 3" - Inlet - Cast Iron	1	1		
8	22466	Flange - 3" - Inlet - Aluminum			1	
8	22467	Flange - 3" - Inlet - Br.				1
9	22372	Flange - 2" - Outlet - Cast Iron	1	1		
9	22370	Flange - 2" - Outlet - Aluminum			1	
9	22371	Flange - 2" - Outlet - Br.				1
9	22471	Flange - 3" - Outlet - Cast Iron	1	1		
9	22469	Flange - 3" - Outlet - Aluminum			1	
9	22470	Flange - 3" - Outlet - Br.				1
WEAR PLATE						
	22376	Wear Plate Assembly - Steel - Inc:	1	1		
20	22244	Wear Plate - Steel	1	1		
21	21262	Flat Head Screw - S.S. - 3/8"	2	2		
22	21271	Annular Gasket - 5/8"	2	2		
	22374	Wear Plate Assembly - Aluminum - Inc:			1	
20	22242	Wear Plate - Aluminum			1	
21	21262	Flat Head Screw - S.S. - 3/8"			2	
22	21271	Annular Gasket - 5/8"			2	
	22375	Wear Plate Assembly - Bronze - Inc:				1
20	22243	Wear Plate - Bronze				1
21	22360	Flat Head Screw - S.S. - 3/8"				2
22	21271	Annular Gasket - 5/8"				2
29	21263	Acom Nut - S.S. - Wear Plate - 3/8"	2	2	2	
29	26053	Acom Nut - Bronze - Wear Plate 3/8"				2
IMPELLER						
5	23386	Impeller Assembly - Cast Iron - Inc:				
	22417	Locknut - 1-14	1	1		
	22435	Sleeve - 1-1/8" Bore	1	1		
	22499	Impeller - Cast Iron	1	1		
5	23384	Impeller Assembly - Aluminum - Inc:			1	
	22417	Locknut - 1-14			1	
	22435	Sleeve - 1-1/8" Bore			1	
	22497	Impeller - Aluminum			1	
5	23385	Impeller Assembly - Br. - Inc:				1
	22417	Locknut - 1-14				1
	22435	Sleeve - 1-1/8" Bore				1
	22498	Impeller - Br.				1
N/S	22404	Shim - Impeller - S.S. - 3/4"	1	1	1	1
CLAMP						
	23039	Impeller Clamp Assembly - Inc:	1	1	1	1
7	22356	Clamp	2	2	2	2
26	21266	Lockwasher - S.S. - 3/8"	2	2	2	2
27	21269	Capscrew - S.S. - 3/8"	2	2	2	2
31	21268	Hex Nut - S.S. - 3/8"	2	2	2	2
27	21269	Capscrew - S.S. - Clamp - 3/8"	2	2	2	2
SEAL						
10	22361	Seal Assembly - Self-lubricated	1	1	1	1
ADAPTOR						
1	22433	Adaptor - Cast Iron	1	1		
1	22431	Adaptor - Aluminum			1	
1	22432	Adaptor - Bronze				1
32	21246	Capscrew - S.S. - Adaptor to Motor - 1/2"	4	4	4	4
33	21254	Lockwasher - S.S. - Adaptor to Motor	4	4	4	4

	MP PUMPS, INC. TECUMSEH PRODUCTS COMPANY 34800 BENNETT DRIVE - FRASER, MI 48026-1686 (586) 293-8240 • FAX (586) 293-8469 (800) 563-8006	FORM 7006-C PRINTED IN U.S.A.
---	--	---



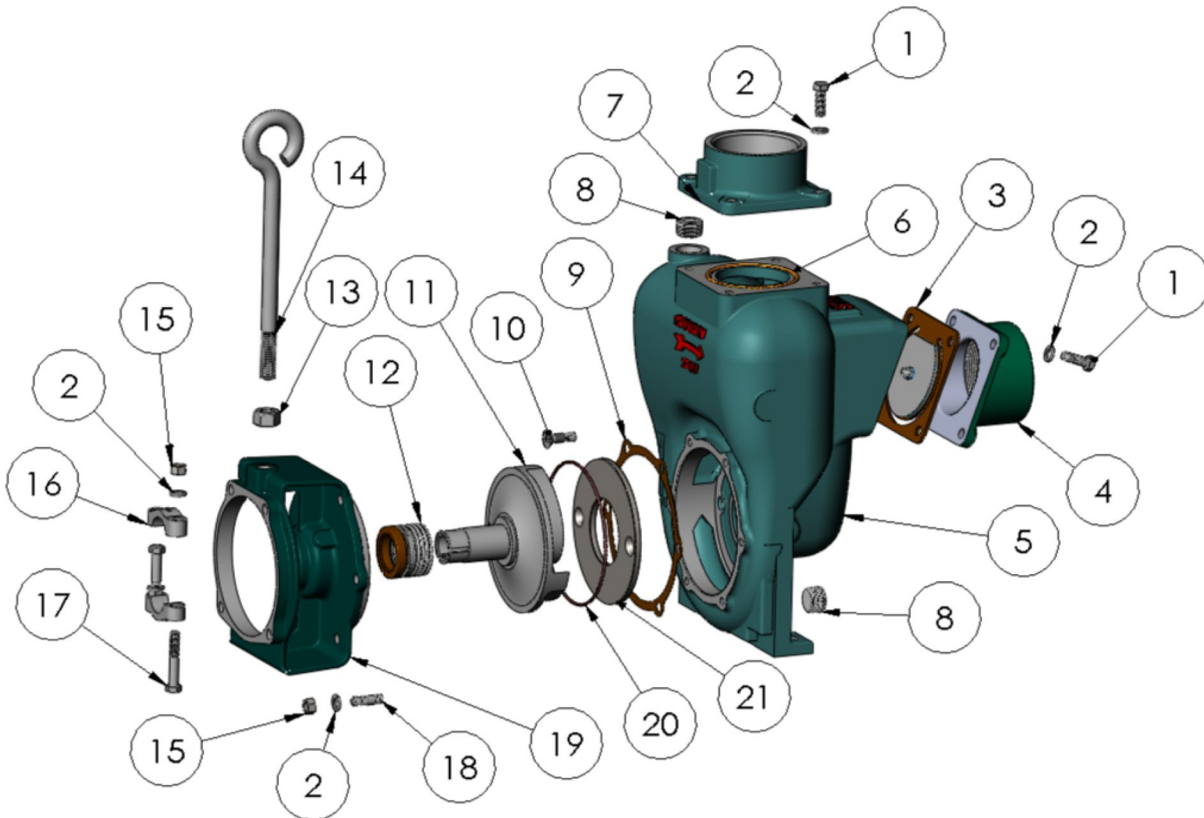


ITEM NO.	PART NO.	DESCRIPTION	QTY.		ITEM NO.	PART NO.	DESCRIPTION	QTY.
*	1	23040	FLAPPER ASSY. BUNA	1	12	23038	IMPELLER STL- 6.00 DIA.	1
	2	22468	SUCTION FLANGE - C.I.	1	*	13	22361	SEAL ASY TYPE 21 - SERVICE
	3	21266	LOCKWASHER S.S. - 3/8	20	14	21260	STUD 3/8-16 X 1.32 S.S.	6
	4	21291	CAPSCREW S.S. - 3/8-16 X 1.13	8	15	21269	CAPSCREW S.S. - 3/8-16 X 2.25	2
	5	22471	DISCHARGE FLANGE - C.I.	1	*	16	29715	O RING - VITON
	6	34332	PIPE PLUG B - SOCKET HEAD 3/4" NPT	1	17	21259	CAPSCREW S.S. - 3/8-16 X 1.38	4
*	7	37138	O RING - VITON DISCHARGE	1	18	21268	HEXNUT S.S. - 3/8-16	8
	8	41481	PIPE PLUG C - SQ. SOCKET 3/4" NPT	1	19	22356	CLAMP S.S. - 1"	2
*	9	22240	GASKET .O32 - NI-2085	1	20	26164	PEDESTAL ASSY. - LARGE	1
	10	37115	FLAT HD SCREW S.S. - 3/8-16	2	21	22348	ADAPTER C.I.	1
*	11	22244	WEAR PLATE STL	1	22	22351	HOUSING C.I.	1

*RECOMMENDED REPLACEMENT PARTS



34800 BENNETT - FRASER, MI 48026-1686
 (586) 293-8240 - FAX (586) 293-8469
 (800) 563-8006 - www.mppumps.com

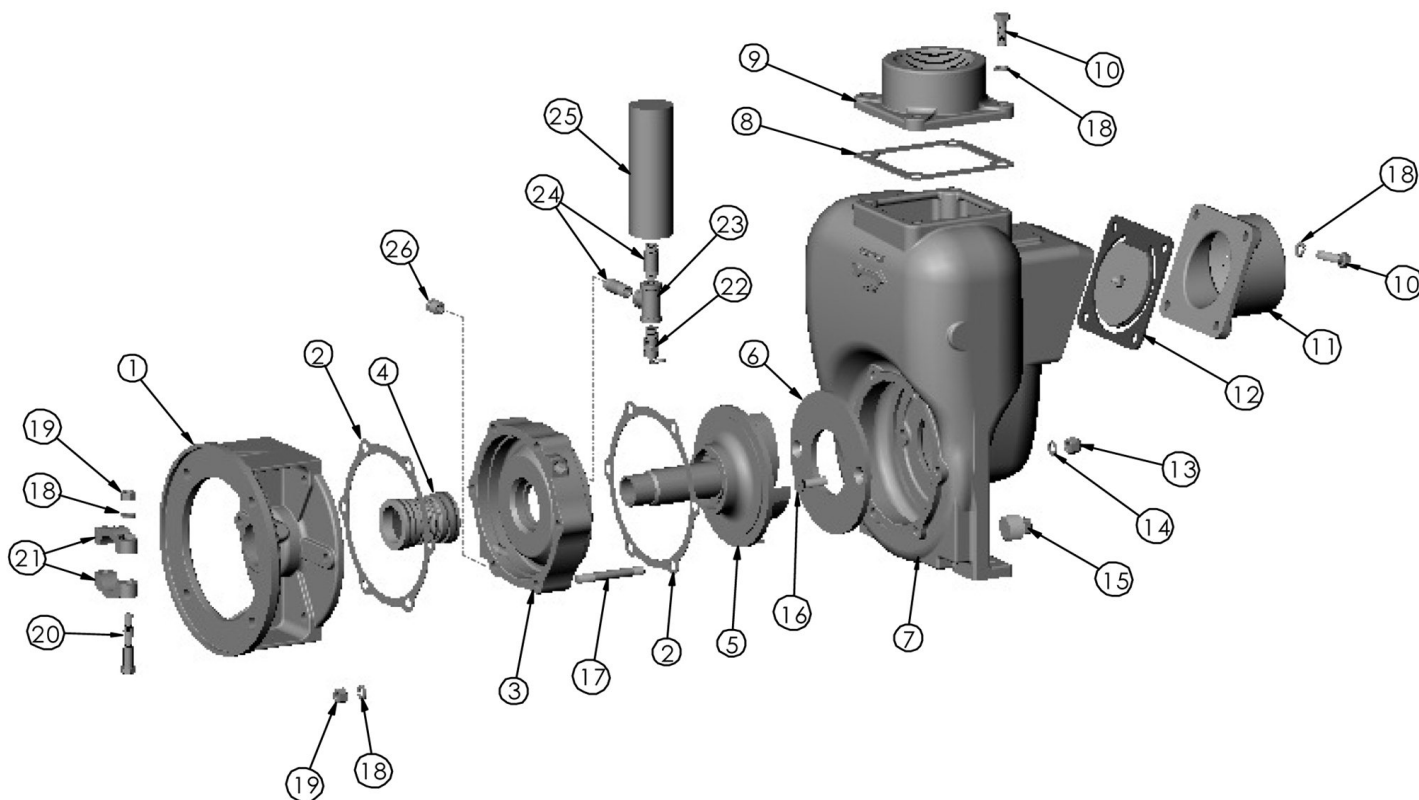


ITEM NO.	PART NO.	DESCRIPTION	QTY.		ITEM NO.	PART NO.	DESCRIPTION	QTY.
1	21291	CAPSCREW S.S. - 3/8-16 X 1.13	8		* 12	22361	SEAL ASSY - 1.5" T-21	1
2	21266	LOCKWASHER S.S. - 3/8	16		13	22461	HEXNUT STL. - 5/8-11	1
* 3	23040	FLAPPER ASSY. BUNA	1		14	22460	LIFT EYE ZPS - 5/8-11 X 10	1
4	22468	SUCTION FLANGE - C.I.	1		15	21268	HEXNUT S.S. - 3/8-16	8
5	22351	HOUSING C.I.	1		16	22356	CLAMP S.S. - 1"	2
* 6	37138	O RING - VITON DISCHARGE	1		17	21269	CAPSCREW S.S. - 3/8-16 X 2.25	2
7	22471	DISCHARGE FLANGE - C.I.	1		18	21260	STUD 3/8-16 X 1.32 S.S.	6
8	41481	PIPE PLUG C.I. - 3/4" NPT	2		19	22348	ADAPTER C.I.	1
* 9	22240	GASKET .032 - NI-2085	1		* 20	29715	O RING - VITON	1
10	37115	FLAT HD SCREW S.S. - 3/8-16	2		* 21	22244	WEAR PLATE STL.	1
11	23038	IMPELLER D - 5.95 DIA.	1					

* RECOMMENDED REPLACEMENT PARTS



34800 BENNETT - FRASER, MI 48026-1686
 (586) 293-8240 - FAX (586) 293-8469
 (800) 563-8006 - www.mppumps.com



PART NO.	ITEM NO.	DESCRIPTION	QTY.		PART NO.	ITEM NO.	DESCRIPTION	QTY.
22433	1	ADAPTER- CAST IRON	1		23039		CLAMP ASSEMBLY	1
* 22240	2	GASKET	2		21266	18	LOCK WASHER- 3/8	2
31406	3	ADAPTER- DOUBLE MECH. SEAL	1		21268	19	HEX NUT- 3/8-16	2
* 31713	4	DOUBLE MECH. SEAL- SSC	1		21269	20	HEX HD. SCREW- 3/8-16 X 2.25"	2
* 31719	5	IMPELLER- 5.94"	1		22356	21	CLAMP S.S.- 1"	2
* 22376		WEAR PLATE ASSEMBLY	1		31733	22	RELIEF VALVE- 1/4" NPT (125 PSI)	1
22244	6	WEAR PLATE	1		31734	23	PIPE TEE- 1/4" NPT	1
21271	14	ANNULAR GASKET	2		28635	24	PIPE NIPPLE- 1/4" NPT	2
21262	16	FLAT HD. SCREW- 3/8-16 X 1.25"	2		31732	25	GREASE RESERVOIR- 1/4" NPT	1
33117		HOUSING ASSEMBLY CC MTR	1		31735	26	GREASE FITTING- 1/4" NPT	1
22351	7	HOUSING	1					
21291	10	CAP SCREW S.S.- 3/8-16 X 1.13"	8					
41481	15	PIPE PLUG- 3/4" NPT	1					
33095	17	STUD S.S.- 3/8-16 X 3.00"	6					
21266	18	LOCK WASHER- 3/8	8					
* 22358	8	GASKET- DISCHARGE	1					
22471	9	FLANGE- DISCHARGE	1					
22468	11	FLANGE- INLET	1					
* 23040	12	FLAPPER ASS'Y	1					
21263	13	ACORN NUT- 3/8-16	2					
21266	18	LOCK WASHER- 3/8	6					
21268	19	HEX NUT- 3/8-16	6					

*- RECOMMENDED REPLACEMENT PARTS



34800 BENNETT - FRASER, MI 48026-1686
 (586) 293-8240 - FAX (586) 293-8469
 (800) 563-8006 - www.mppumps.com