



PETROLEUM 10

2" x 2" Self Priming Centrifugal Pump

Petroleum 10 self-priming centrifugal pumps are capable of creating vacuum sufficient to lift liquids from heights up to 25 feet above the source.

A Petroleum 10 PumPAK® is a fully assembled and run tested pump end that can be easily coupled to a number of drivers such as hydraulic motors, 182TC and 184TC frame motors and gas engines. A bearing pedestal is also available for T-frame motor or belt drive.

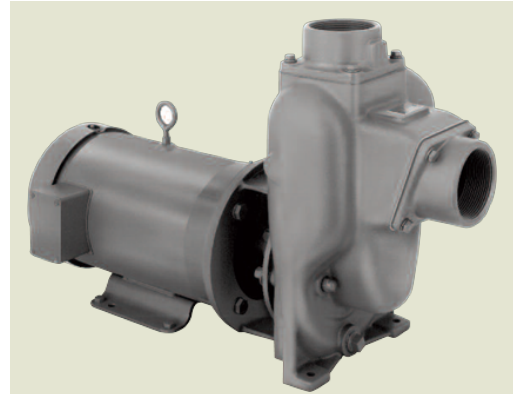
Standard features include SS drive sleeve, SS fasteners, renewable wear plate, and a semi-open dynamically balanced impeller.

The Petroleum 10 Pump is available in three distinct models: PG, PO and PE

Model PG Pumps - Compatible For Gasoline, Kerosene, Avgas & Jet Fuel

Model PO Pumps - Compatible For BioDiesel, Fuel Oil & Diesel

Model PE Pumps - Compatible For Ethanol & E 85



Application

- Agricultural
- Industrial
- Marine
- OEM

Features

- Gas engines for diesel fuel transfer
- Non-spark clamp (on some models)
- Renewable wear plate
- Stainless steel drive sleeve
- Stainless steel fasteners
- Up to a 25' suction lift

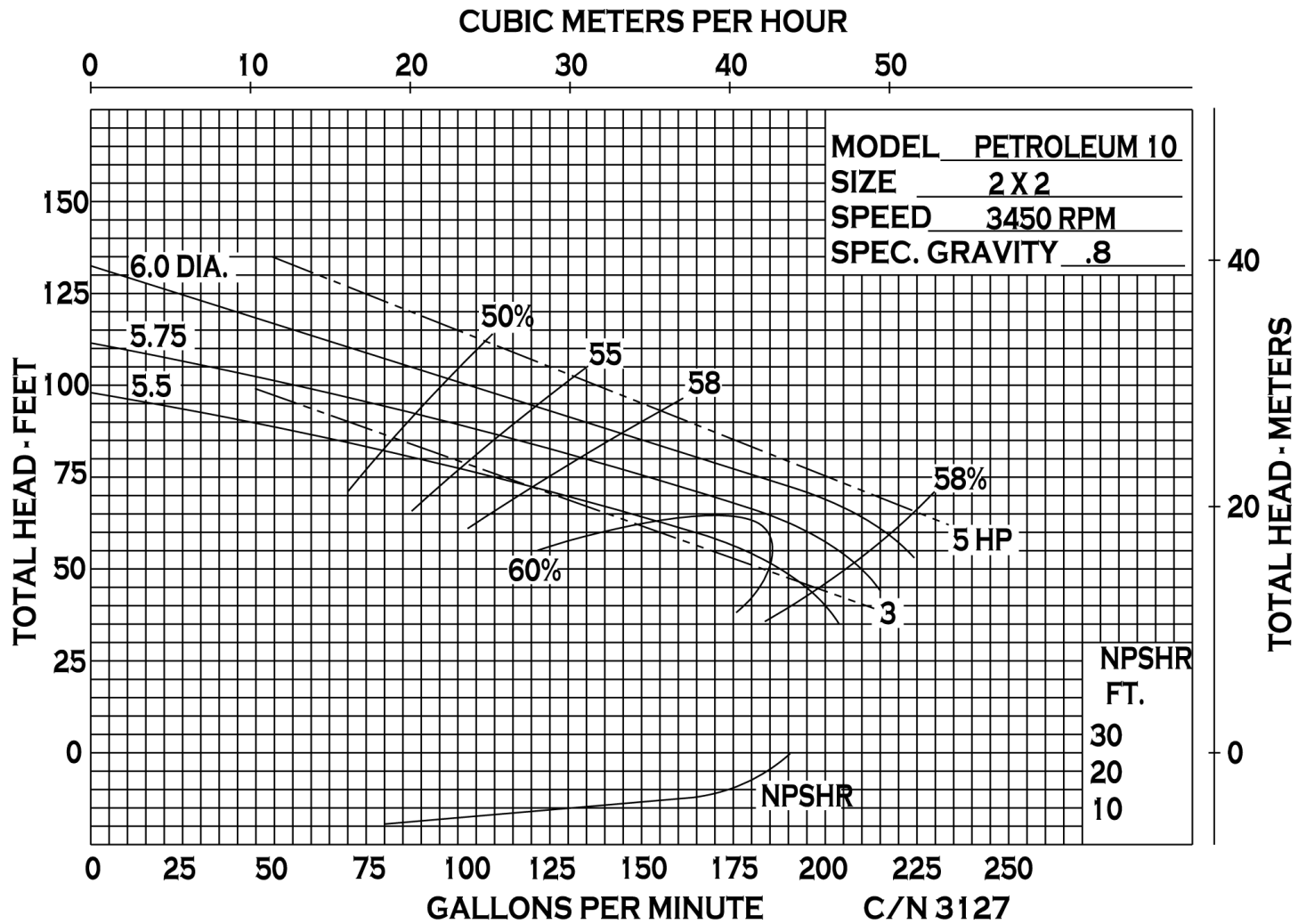
SPECIFICATIONS:

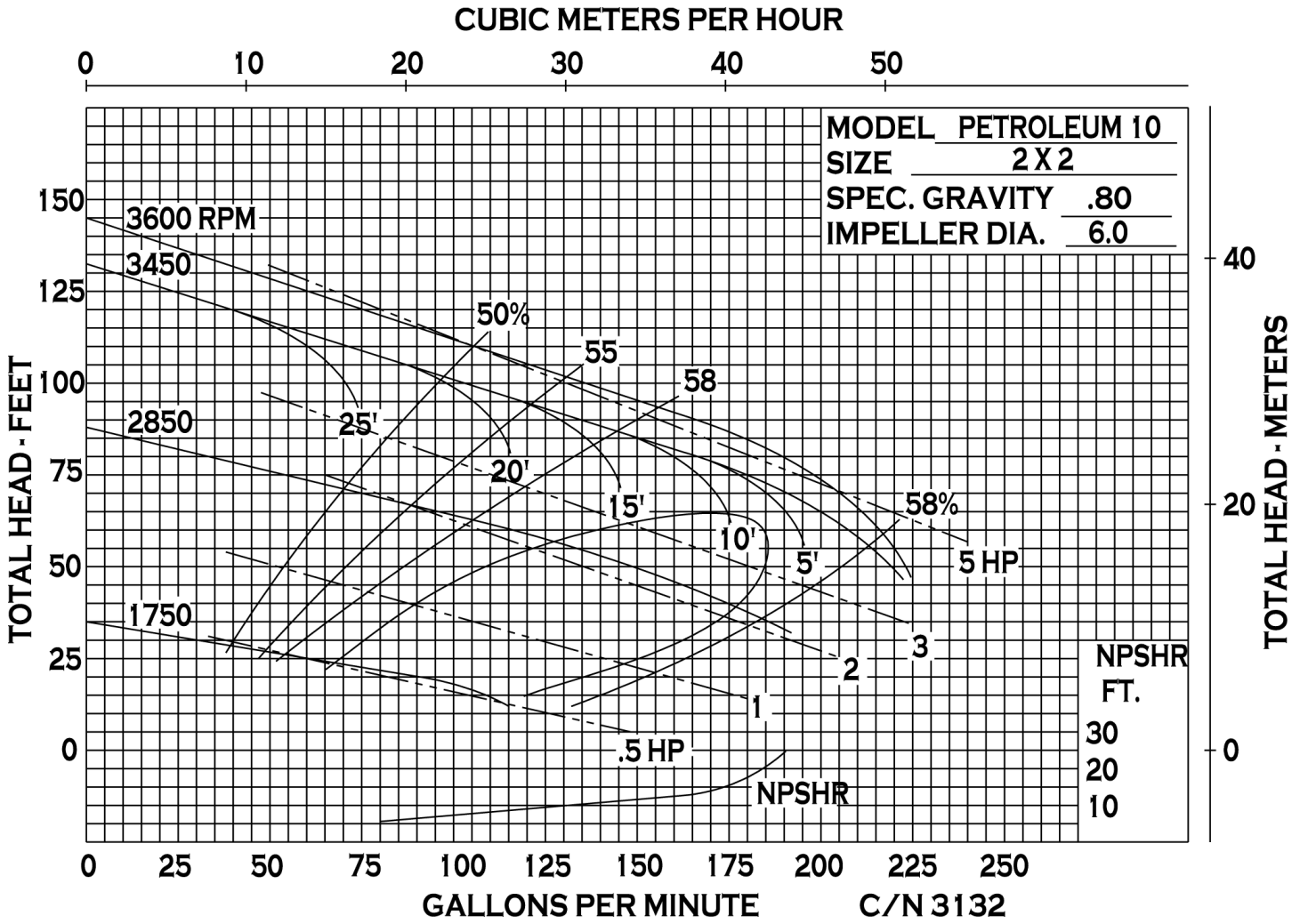
Suction And Discharge	2" x 2" NPT
Materials Of Construction	Cast iron, Ductile iron
Flow	Up to 225 GPM
Head Feet	Up to 145'
Impeller	PE 10- semi-open cast iron, 316 SS (optional), PG 10- semi-open cast iron, aluminum (optional), PO 10- semi-open cast iron
Motor	Up to 7.5 HP
Drive Options	Close coupled 184TC, Engine mount 11 HP, Engine mount 13 HP, Engine mount 5.5 HP, Hydraulic motor .73 cu. in., Pedestal, PumPAK® (without motor)
Seal	PE- carbon/ silicon carbide/ Viton, PG 10 - carbon / silicon carbide / Viton, PO 10 - carbon / Ni-Resist / Viton
46 Cfr Compliant	Engine mount 6.5 HP
Compatible For	PE 10 - ethanol, E 85, PG 10 - gasoline, avgas, kerosene, jet A/8, PO 10 - biodiesel, fuel oil, diesel
Mounting Options	PE 10 - explosion proof, class 1, group D, PG 10 - explosion proof, class 1, group D,

PO 10 - TEFC

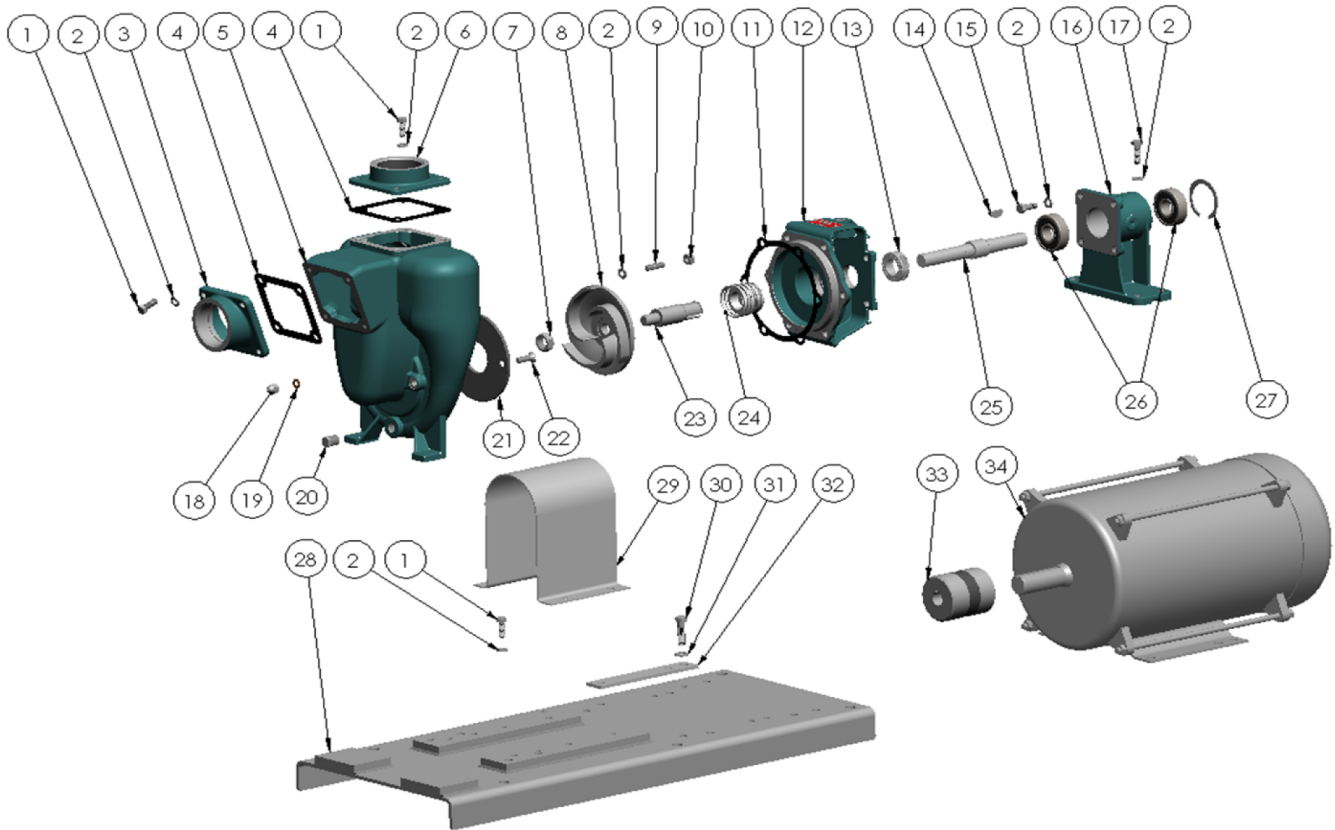


34800 BENNETT - FRASER, MI 48026-1686
(586) 293-8240 - FAX (586) 293-8469
(800) 563-8006 - www.mppumps.com





35621**



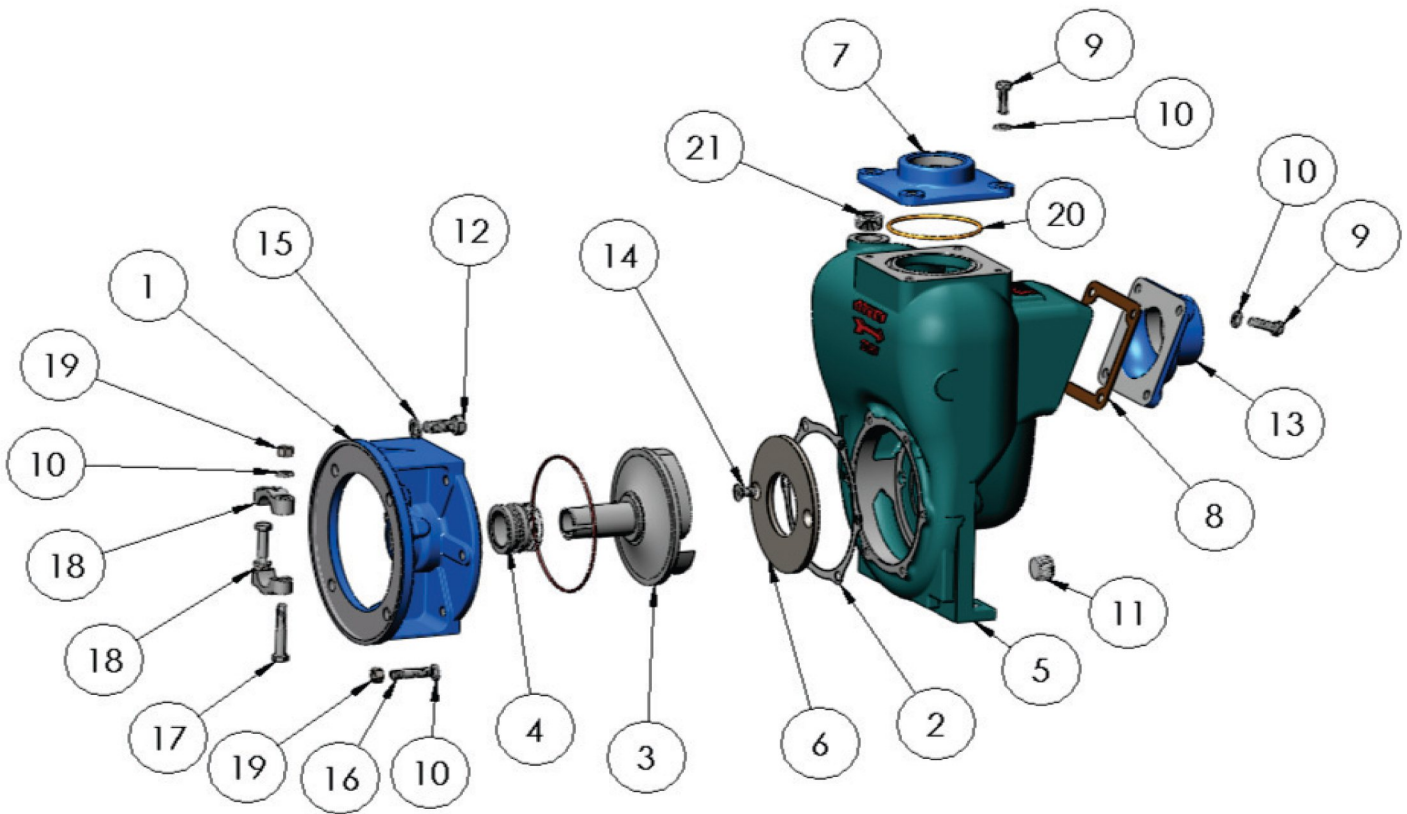
PART NO.	ITEM NO.	DESCRIPTION	QTY.		PART NO.	ITEM NO.	DESCRIPTION	QTY.
21242	1	CAPSCREW - 5/16"-18 X 7/8"	8	*	21248	19	GASKET - 1/2 X 5/16 X 1/16	2
21238	2	LOCKWASHER 5/16	26		21267	20	PIPE PLUG SS 1/4 NPT	1
35614	3	SUCTION FLANGE D - 2" NPT	1	*	22258	21	WEAR PLATE ALUMINUM	1
* 35609	4	GASKET CORK/BUNA	2		21249	22	SCREW SS 5/16-18X1	2
35604	5	HOUSING DUCTILE	1		22286	23	DRIVE SLEEVE SS 3/4	1
35615	6	DISCHARGE FLANGE D - 2" NPT	1	*	35610	24	SEAL T-2 CAR/SIC/VIT	1
22655	7	JAM NUT - 5/8"-18	1		26085	25	SHAFT STL	1
22293	8	IMPELLER C 5" DIA.	1		22300	26	BALL BEARING	2
30321	9	STUD - 5/16"-18 X 1.13"	6		21695	27	SNAP RING	1
21284	10	HEXNUT - 5/16"-18	6		26305	28	BASE STL	1
* 35722	11	GASKET C-4433	1		26304	29	CPLG GUARD	1
35606	12	ADAPTOR DUCTILE	1		21259	30	CAPSCREW - 3/8"-16 X 1 3/8	4
35612	13	CLAMP B: 3/4 SL.	1		21266	31	LOCKWASHER SS 3/8	4
22321	14	WOODRUFF KEY STL	1		26306	32	BLOCK SPACER STL	2
21278	15	CAPSCREW - 5/16"-24 X .88	4		22444	33	COUPLING 3/4 x 1.13	1
26140	16	PEDESTAL C	1		25682	34	ELECTRIC MOTOR 3-3 182T 3450 230/460 EXPLOSION PROOF	1
21250	17	CAPSCREW - 5/16"-18 X 1.13	4					
21237	18	ACORN NUT - 5/16"-18	2					

* SUGGESTED REPLACEMENT PARTS

** COMPATIBLE FOR KEROSENE, JET A/8 & GASOLINE



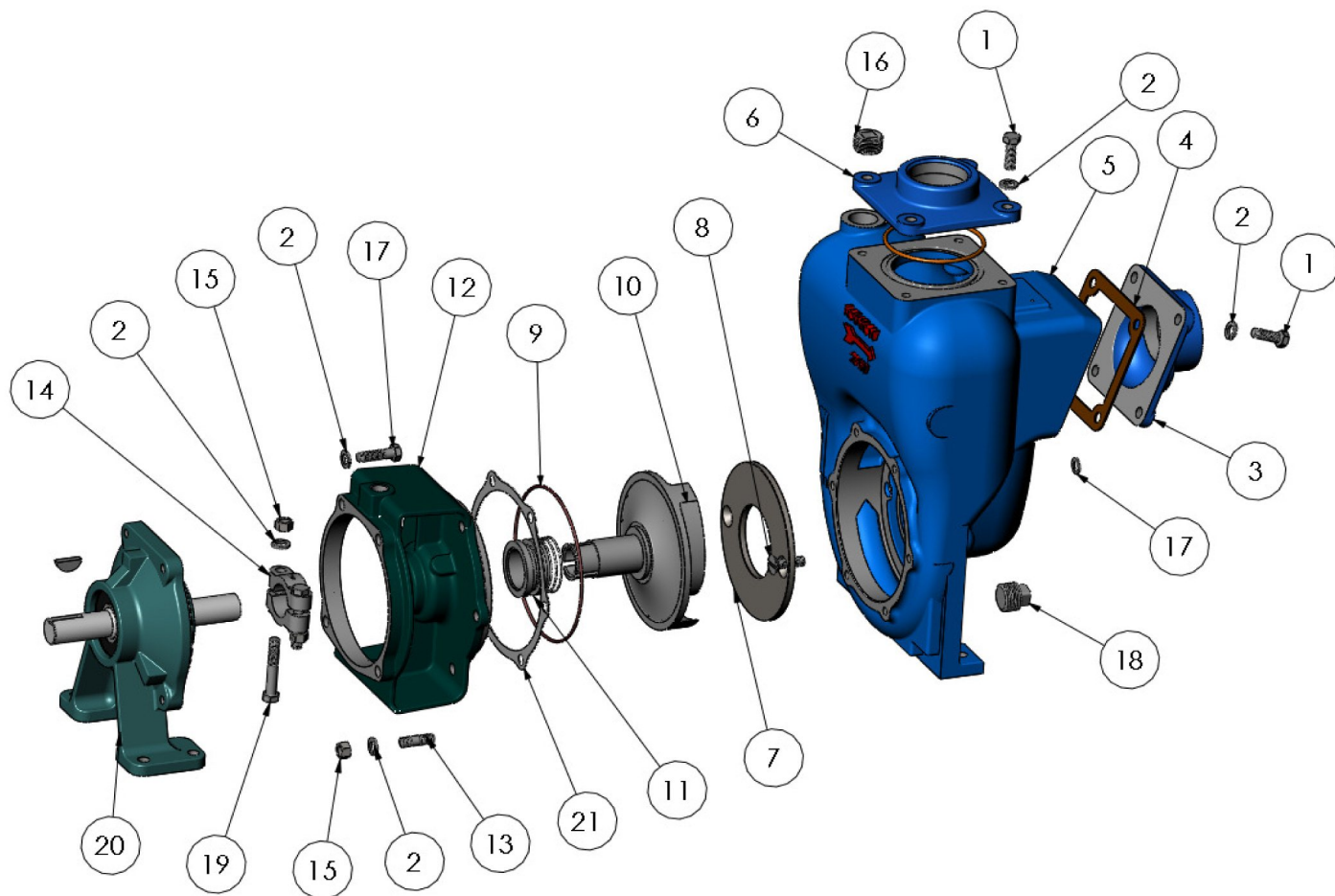
34800 BENNETT - FRASER, MI 48026-1686
 (586) 293-8240 - FAX (586) 293-8469
 (800) 563-8006 - www.mppumps.com



PART NO.	ITEM NO.	DESCRIPTION	QTY.		PART NO.	ITEM NO.	DESCRIPTION	QTY.
22433	1	ADAPTER- C.I.	1		35650	11	PIPE PLUG- 3/4 NPT 316 S.S.	1
* 35721	2	GASKET - KINGERSIL C-4433	1		21246	12	CAP SCREW S.S.- 1/2-13 X 1.25"	4
23387	3	IMPELLER - 6.0" D.I. - 1.13 I.D.	1		22369	13	FLANGE - SUCTION C.I.	1
* 22363	4	SEAL- 1.5" VITON CAR/NRS TYPE 21	1		37115	14	FLAT HD. SCR. S.S. - 3/8-16 X 1.75"	2
22351	5	HOUSING C.I.	1		21254	15	LOCKWASHER - S.S. 1/2	4
* 22244	6	WEAR PLATE STL.	1		21261	16	STUD S.S. - 3/8-16 X 1.63"	6
22372	7	FLANGE - DISCHARGE - C.I.	1		21269	17	CAP SCREW- S.S. 3/8-16 X 2.25"	2
* 35630	8	GASKET - DISCHARGE BUNA	2		22356	18	CLAMP S.S.- 1"	2
21291	9	CAP SCREW S.S.- 3/8-16 X 1.13"	8		21268	19	HEX NUT - S.S. 3/8-16	8
21266	10	LOCK WASHER- 3/8	16		* 37138	20	O RING - VITON	1
					41481	21	PIPE PLUG- 3/4 NPT C.I.	1

*- RECOMMENDED REPLACEMENT PARTS





PART NO.	ITEM NO.	DESCRIPTION	QTY.		PART NO.	ITEM NO.	DESCRIPTION	QTY.
21291	1	CAPSCREW SS - 3/8-16 X 1.13"	8		22348	12	ADAPTOR CAST IRON	1
21266	2	LOCKWASHER SS 3/8"	20		21260	13	STUD SS - 3/8-16 X 1.32	6
22369	3	SUCTION FLANGE C - 2" NPT	1		22356	14	CLAMP SS	2
* 35630	4	GASKET CORK/BUNA	2		21268	15	HEX NUT SS - 3/8-16	8
22351	5	HOUSING CAST IRON	1		41481	16	PIPE PLUG C 3/4 NPT	1
22372	6	DISCHARGE FLANGE C - 2" NPT	1		21259	17	HEX HD SCREW SS 3/8-16 X 1.38	4
* 22244	7	WEAR PLATE STL	1		35650	18	PIPE PLUG SS 3/4 NPT	1
37115	8	FLAT HD SCR. SS - 3/8-16 X .75	2		21269	19	HEX HD SCREW SS 3/8-16 X 2.25	2
* 35721	9	GASKET - C-4433	1		26163	20	PEDESTAL ASSY. CAST IRON	1
23038	10	IMPELLER D 6" DIA	1	*	21271	21	GASKET - 5/8 X 3/8 X 1/16	1
* 22363	11	SEAL 1.5" T-2 NRS	1					

* SUGGESTED REPLACEMENT PARTS

** COMPATIBLE FOR DIESEL, BIO-DIESEL, & FUEL OIL.

